



ELSA CHANNEL



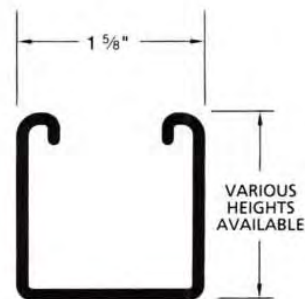
THE MOST COMPLETE METAL FRAMING SYSTEM

Adjustability, demountability and reusability are engineered into each of our channel series. Each series offers channels of varying depth and gage plus a complete line of fittings and accessories.

1 5/8" (41mm) width

Designed to carry the heavy loads and provide the widest variety of applications, the 1 5/8" series has become the accepted standard for use in mechanical, electrical and general construction applications where supports and attachments must meet the highest strength requirements.

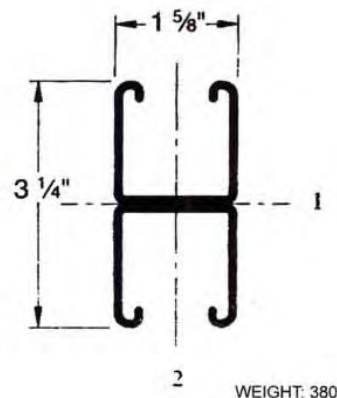
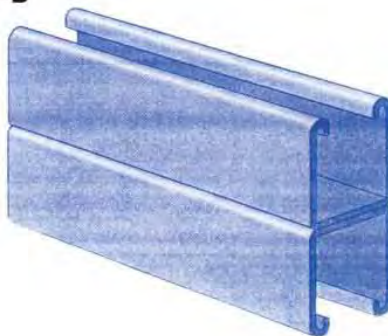
F4141-S



1 5/8" + 1 5/8" 41 mm + 41 mm Width BACK TO BACK

Designed to carry the heaviest loads and provide the widest variety of applications. The 1 5/8" series has become the accepted standard for use in mechanical, electrical and general construction applications where supports and attachments must meet the highest strength requirements.

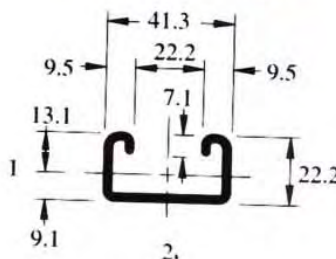
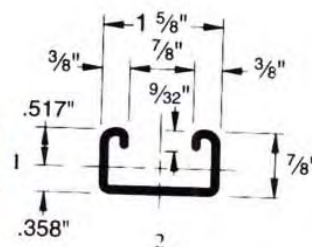
F4141-D



1 3/16" (21mm) width

A unique half-size reduction of the 1 5/8" channel-width series, this smaller channel size can be used to carry light loads economically in applications such as instrumentation, retail displays and light-duty laboratory supports. It also provides the flexibility found in all Unistrut framing systems.

F2141

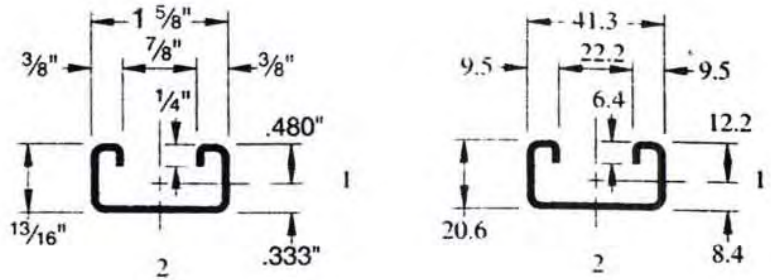
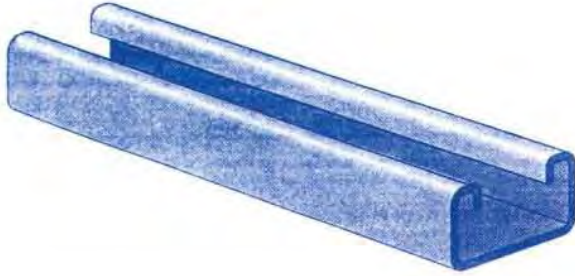


E2141 & F2141-D CHANNELS

FOR 1 5/8" (41 MM) WIDTH SERIES CHANNEL



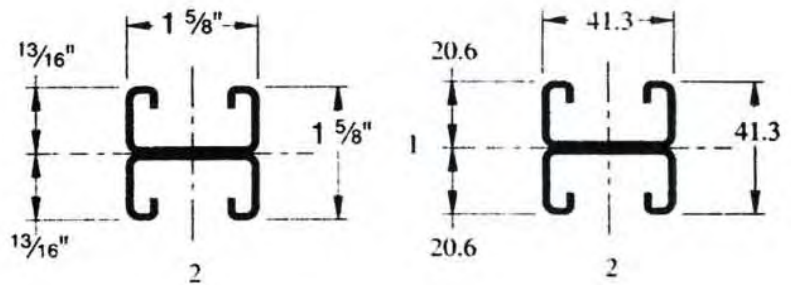
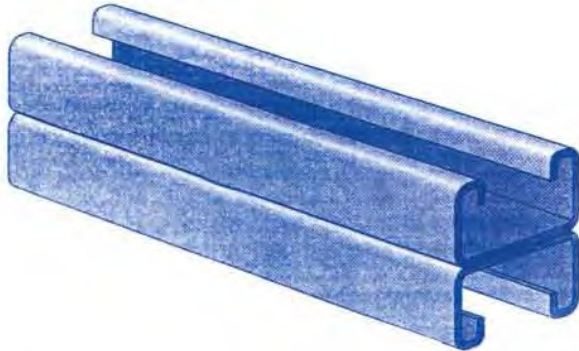
F 2141



Pierced channels are found on pages 60 and 61.

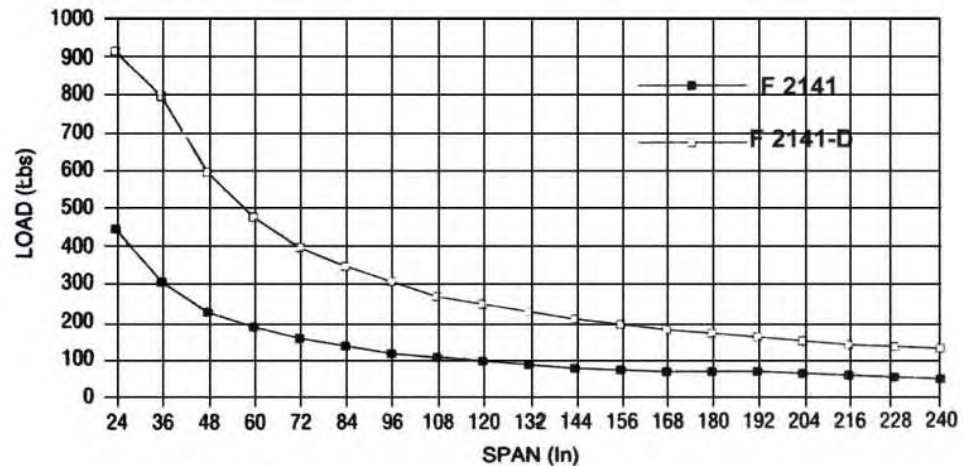
Weight: 97 Lbs/C Ft (144 kg/100 m)

F 2141-D



Weight: 194 Lbs/C Ft (289 kg/100 m)

BEAM LOAD



*Maximum allowable uniform load.

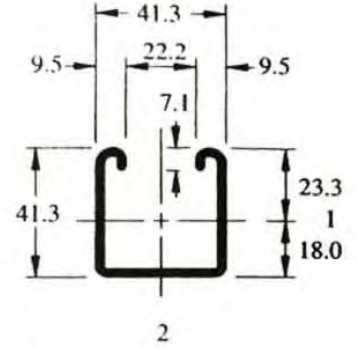
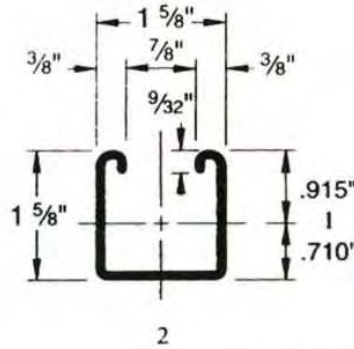
Channel	Weight		Allowable Moment		Material Thickness		Standard Lengths		Finishes				Other Materials	
	Lbs/Ft	kg/m	In-Lb	N·m	In	mm	10'	20'	PL	GR	HG	PG	SS	EA
F2141	.97	1.4	1.330	150	.075	1.9	■	■	■	■	■	■		
F2141-D	1.94	2.9	3.550	400	.075	1.9	■	■	■	■	■	■		

Note: Thickness available in 1.5 mm, 1.9 mm, 2.0 mm, 2.5 mm, & 2.7 mm



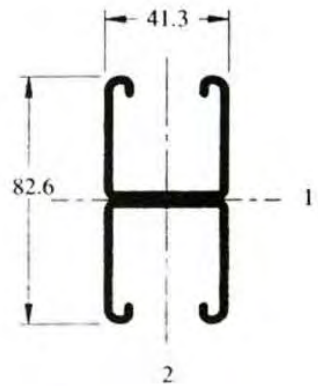
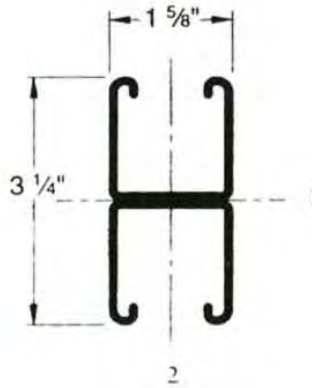
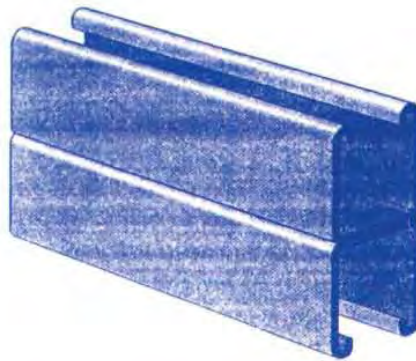
E2141 & F2141-D CHANNELS FOR 1 5/8" (41 MM) WIDTH SERIES CHANNEL

F4141



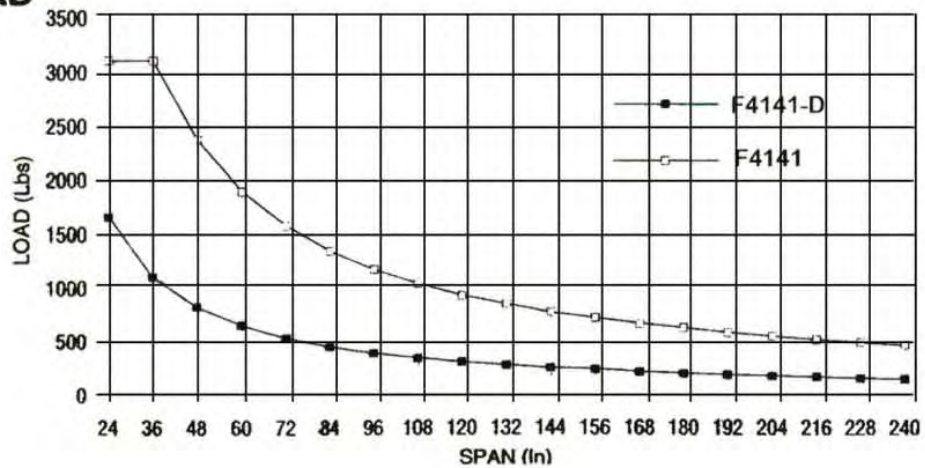
Weight: 190 Lbs/C Ft (283 kg/100 m)

F4141-D



Weight: 380 Lbs/C Ft (566 kg/100 m)

BEAM LOAD*



*Maximum allowable uniform load.

Channel	Weight		Allowable Moment		Material Thickness		Standard Lengths		Finishes				Other Materials	
	Lbs/Ft	kg/m	in-Lb	N*m	In	mm	3 m	6 m	PL	GR	HG	PG	SS	EA
F4141	1.90	2.8	5,080	570	.105	2.7	■	■	■	■	■	■	■	■
F4141-D	3.80	5.7	14,390	1630	.105	2.7	■	■	■	■	■	■	■	■

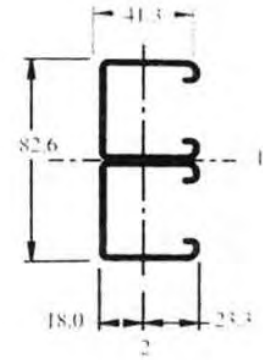
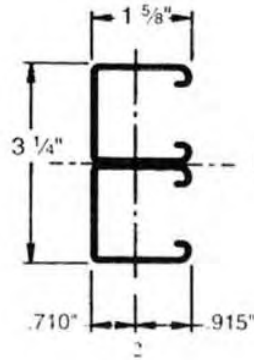
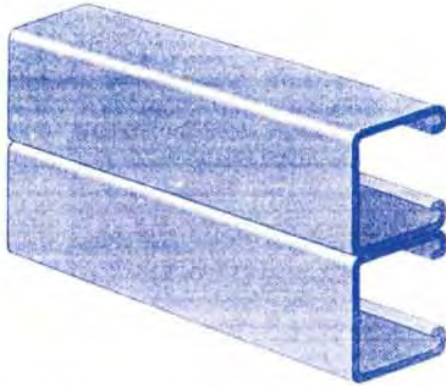
Note: Thickness available in 1.5 mm, 1.9 mm, 2.0 mm, 2.5 mm, & 2.7 mm

CHANNEL COMBINATIONS

FOR 1 5/8" (41 MM) WIDTH SERIES CHANNEL

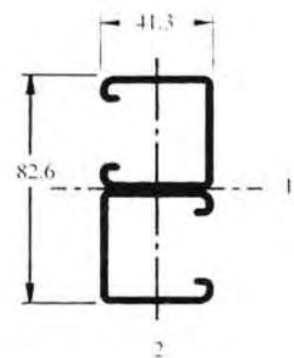
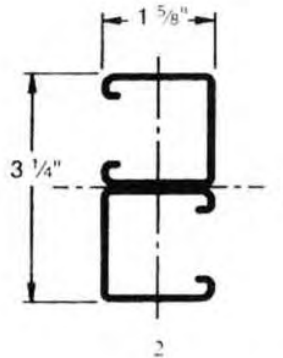
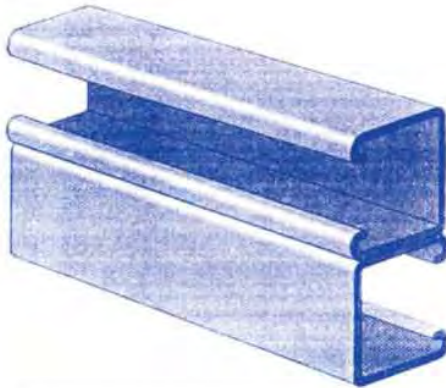


F4141-D3



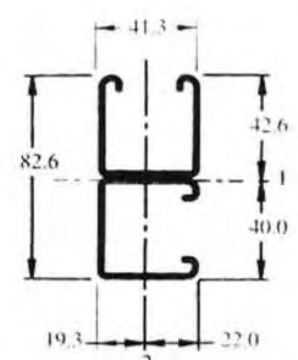
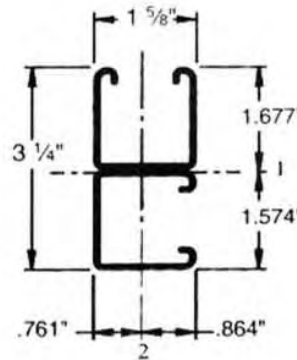
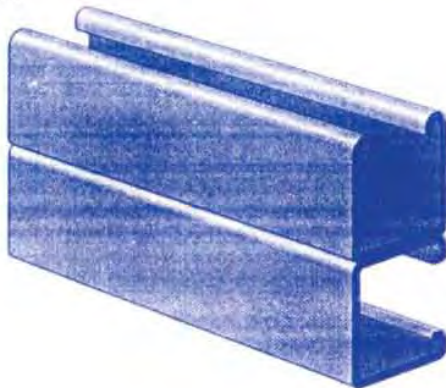
Weight: 380 Lbs/C Ft (566 kg/100 m)

F4141-D2



Weight: 380 Lbs/C Ft (566 kg/100 m)

F4141-D1



Weight: 380 Lbs/C Ft (566 kg/100 m)

Channel	Weight		Allowable Moment		Material Thickness		Standard Lengths		Finishes				Other Materials	
	Lbs/Ft	kg/m	In-Lb	N•m	In	mm	3 mtr	6 mtr	PL	GR	HG	PG	SS	EA
F4141-D3	3.80	5.7	18.660	2110	0.077	2.7	■	■	■	■	■	■		
F4141-D2	3.80	5.7	18.660	2110	0.077	2.7	■	■	■	■	■	■		
F4141-D1	3.80	5.7	15.970	1800	0.077	2.7	■	■	■	■	■	■		

Note: Thickness available in 1.5 mm, 1.9 mm, 2.0 mm, 2.5 mm, & 2.7 mm



BEARING LOADS FOR CHANNEL & COMBINATIONS FOR 1 5/8" (41 MM) WIDTH SERIES CHANNEL

BEARING LOADS ON CHANNELS

Channel	Bearing Length 1 5/8" (41 mm)		Bearing Length 1 5/8" (41 mm)		Bearing Length 3 1/4" (92 mm)	
	Maximum Allowable Loads		Maximum Allowable Loads		Maximum Allowable Loads	
	Lbs	kN	Lbs	kN	Lbs	kN
F4141	5000	22.2	3500	15.6	8000	35.6
F4141	3500	15.6	2500	11.1	5500	24.5
F4141	2000	8.9	1500	6.7	3000	13.3
F4141	5000	22.2	3500	15.6	8000	35.6
F4141	6000	26.7	4000	17.8	9000	40.0
F2141	2200	9.8	1700	7.6	3500	15.6
F2141	3400	15.1	2600	11.6	4800	21.4

Safety Factor — 2½

BIG LOAD DATA

FOR 1 5/8" (41 MM) WIDTH SERIES CHANNEL



DESIGN LOAD DATA FOR TYPICAL SLOTTED CHANNEL CONNECTIONS

90° Fittings (When used in position shown)										
Channel Thickness										
	Lbs	kN	Lbs	kN	Lbs	kN	Lbs	kN	Lbs	kN
12 ga.	1500	6.7	1000	4.4	2000	8.9	1500	6.7	2000	8.9
14 ga.	1000	4.4	650	2.9	2000	8.9	1000	4.4	1500	6.7
16 ga.	750	3.3	500	2.2	1500	6.7	1000	4.4	900	4.0

90° Fittings (When used in position shown)									Flat Plate Fittings	
Channel Thickness										
	Lbs	kN	Lbs	kN	Lbs	kN	Lbs	kN	Lbs	kN
12 ga.	3000	13.3	500	2.2	500	2.2	1200	5.3	1000	4.4
14 ga.	2000	8.9	500	2.2	500	2.2	1200	5.3	800	3.6
16 ga.	1500	6.7	500	2.2	500	2.2	1000	4.4	600	2.7

Both ends of beams supported.

Load diagrams indicate up to three design loads, one for 12 gage sections (F4141), one for 14 gage sections (P1100), and one for 16 gage sections (F4141).

Load data is based on F4141 nut and 1/2" bolt.

Safety factor = 2½ based on ultimate strength of connection.



CHANNEL NUTS WITH SPRINGS FOR 1 5/8" (41 MM) WIDTH SERIES CHANNEL

CHANNEL NUTS WITH SPRINGS



Size & Thread	Weight/C	
	Lbs	kg
#8 - 32	7	3.2
#10 - 24	7	3.2
1/4" - 20	7	3.2
5/16" - 18	6	2.7
3/8" - 16	10	4.5
7/16" - 14	9	4.1
1/2" - 13	12	5.4

5/8" - 11	21	9.5
3/4" - 10	21	9.5
7/8" - 9	21	9.5

CHANNEL NUTS WITH SPRINGS



Size & Thread	Weight/C	
	Lbs	kg
#8 - 32	7	3.2
#10 - 24	7	3.2
1/4" - 20	7	3.2
5/16" - 18	6	2.7
3/8" - 16	9	4.1
7/16" - 14	9	4.1
1/2" - 13	8	3.6

5/8" - 11	11	5.0
3/4" - 10	11	5.0

CHANNEL NUTS WITH SPRINGS



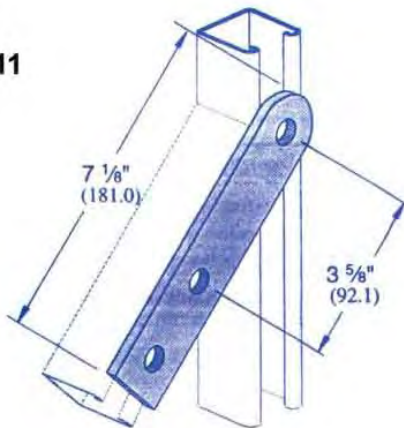
Size & Thread	Weight/C	
	Lbs	kg
#8 - 32	7	3.2
#10 - 24	7	3.2
1/4" - 20	7	3.2
5/16" - 18	6	2.7
3/8" - 16	10	4.5
7/16" - 14	10	4.5
1/2" - 13	12	5.4

FLAT PLATE FITTINGS

FOR 1 5/8" (41 MM) WIDTH SERIES CHANNEL

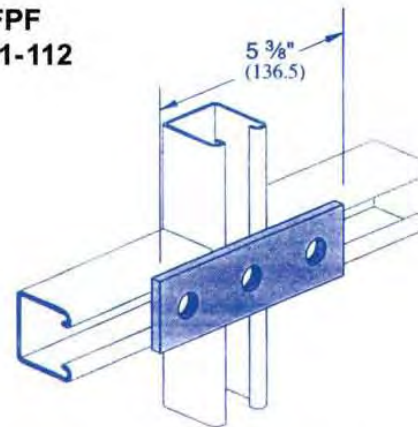


**FPF
41 - 111**



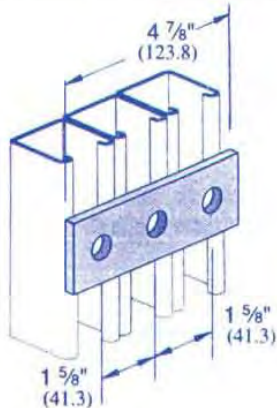
W/C 75 Lbs (34.0 kg)

**FPF
41-112**



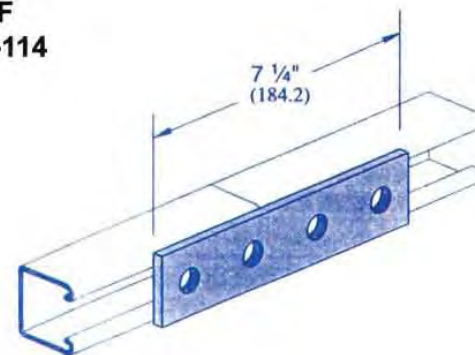
W/C 56 Lbs (25.4 kg)

**FPF
41 - 113**



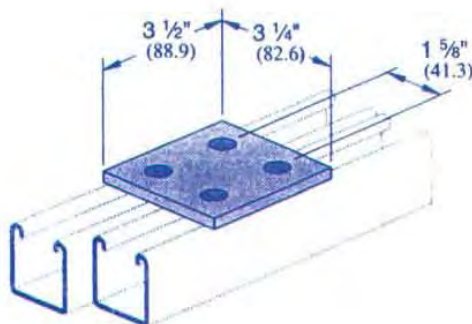
W/C 50 Lbs (22.7 kg)

**FPF
41-114**



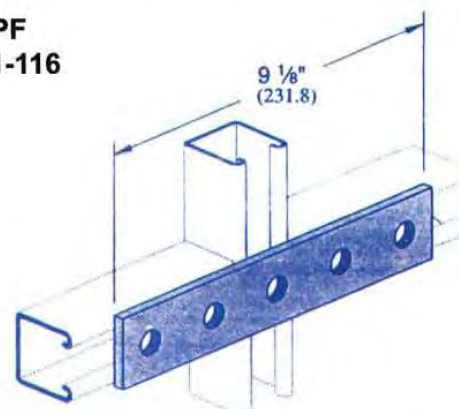
W/C 78 Lbs (35.4 kg)

**FPF
41-115**



W/C 73 Lbs (33.1 kg)

**FPF
41-116**



W/C 94 Lbs (42.6 kg)

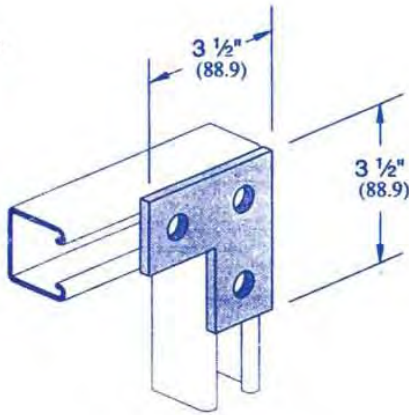
Hole Size	Hole Spacing	Width	Thickness
3/16" Diameter 14.3 mm	13/16" (20.6 mm) From End 1 7/8" (47.6 mm) On Center	1 5/8" 41.3 mm	1/4" 6.4 mm



FLAT PLATE FITTINGS

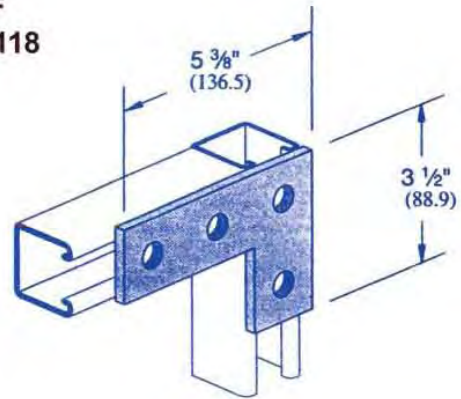
FOR 1 5/8" (41 MM) WIDTH SERIES CHANNEL

**FPF
41-117**



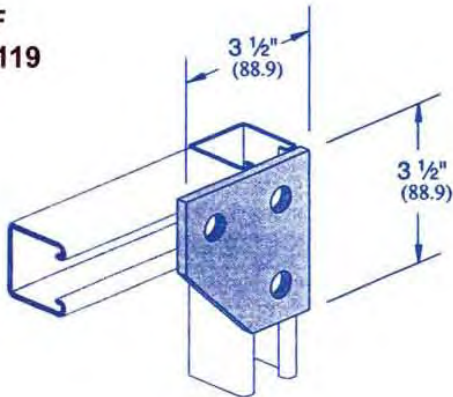
W/C 58 Lbs (26.3 kg)

**FPF
41-118**



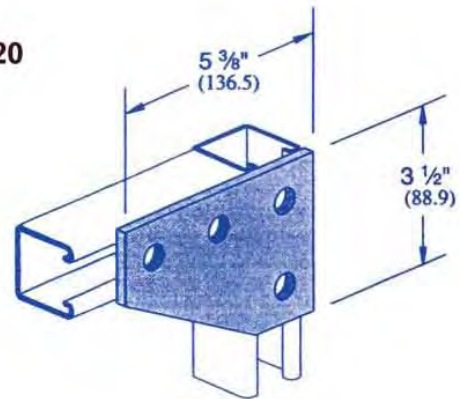
W/C 80 Lbs (36.3 kg)

**FPF
41-119**



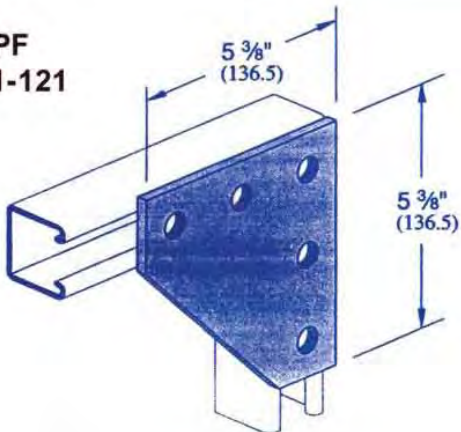
W/C 70 Lbs (31.8 kg)

**FPF
41-120**



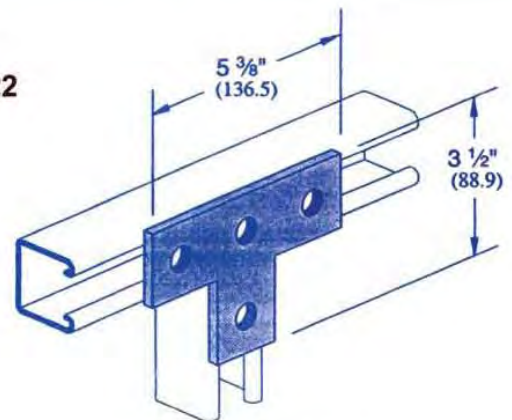
W/C 105 Lbs (47.6 kg)

**FPF
41-121**



W/C 150 Lbs (68.0 kg)

**FPF
41-122**



W/C 80 Lbs (36.3 kg)

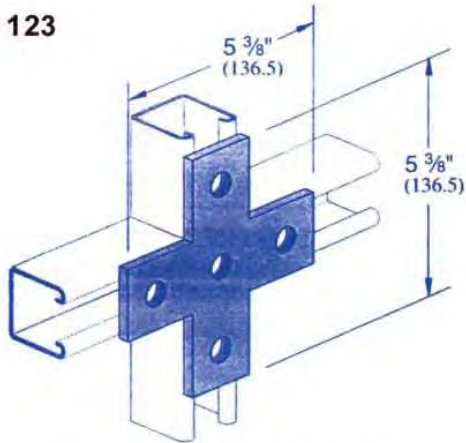
Hole Size	Hole Spacing	Width	Thickness
5/16" Diameter 14.3 mm	1 3/16" (20.6 mm) From End 1 7/8" (47.6 mm) On Center	1 5/8" 41.3 mm	1/4" 6.4 mm

FLAT PLATE FITTINGS

FOR 1 5/8" (41 MM) WIDTH SERIES CHANNEL

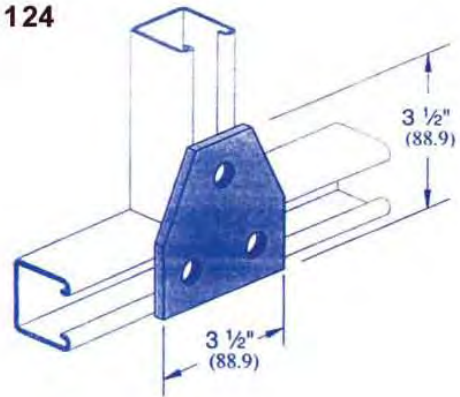


FPF 41-123



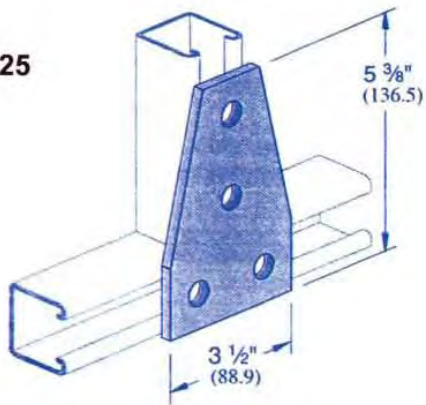
W/C 105 Lbs (47.6 kg)

FPF41-124



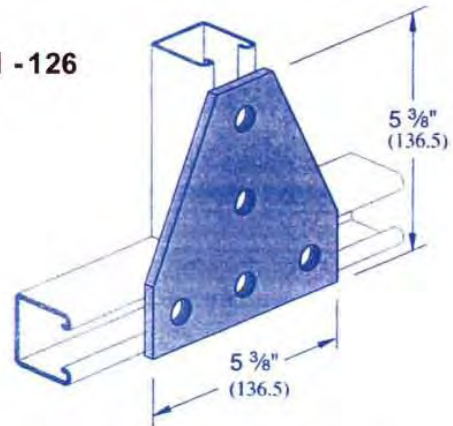
W/C 70 Lbs (31.8 kg)

FPF 41-125



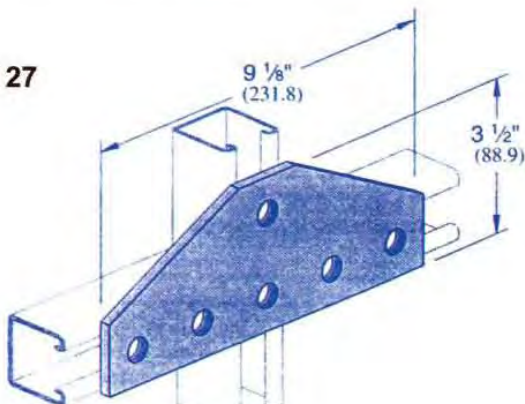
W/C 105 Lbs (47.6 kg)

FPF41-126



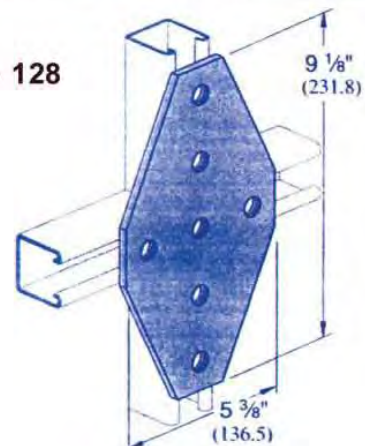
W/C 148 Lbs (67.1 kg)

FPF41-127



W/C 176 Lbs (79.8 kg)

FPF41-128



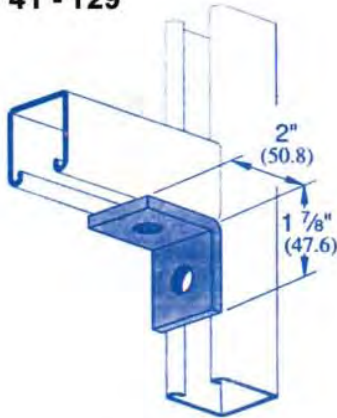
W/C 240 Lbs (108.9 kg)

Hole Size	Hole Spacing	Width	Thickness
3/16" Diameter 14.3 mm	13/16" (20.6 mm) From End 1 1/8" (47.6 mm) On Center	1 5/8" 41.3 mm	1/4" 6.4 mm



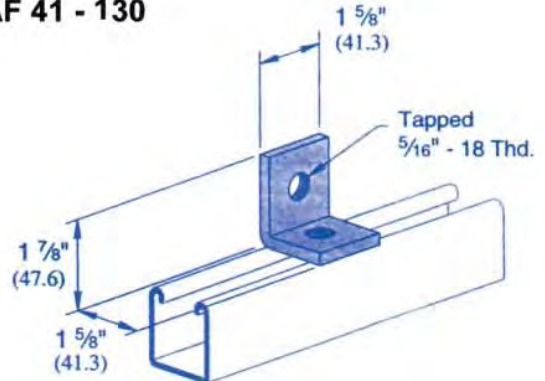
NINETY DEGREE ANGLE FITTINGS FOR 1 5/8" (41 MM) WIDTH SERIES CHANNEL

NDAF 41 - 129



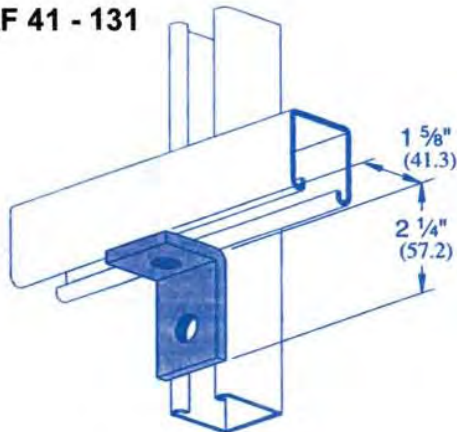
W/C 38 Lbs (17.2 kg)

NDAF 41 - 130



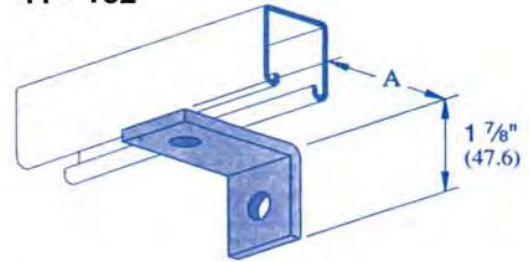
W/C 34 Lbs (15.4 kg)

NDAF 41 - 131



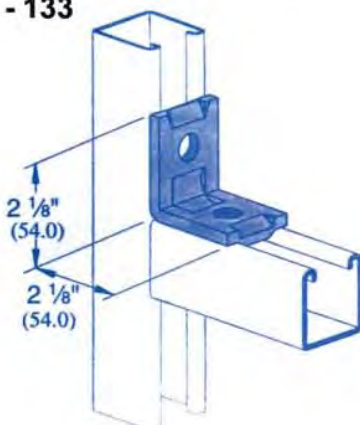
W/C 38 Lbs (17.2 kg)

NDAF 41 - 132



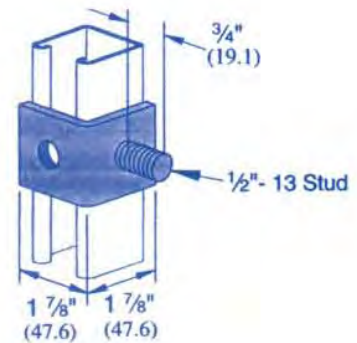
Part Number	"A" Dimension		Weight/C	
	In	mm	Lbs	kg
P1281	3	76.2	49	22.2
P1282	3 1/2	88.9	54	24.5
P1283	4	101.6	61	27.7

NDAF 41 - 133



W/C 40 Lbs (18.1 kg)

NDAF 41 - 134



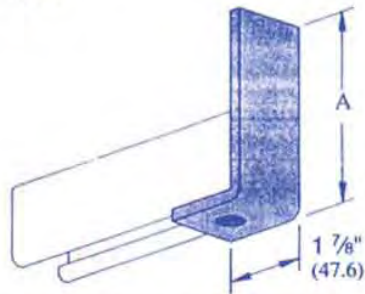
W/C 45 Lbs (20.4 kg)

Hole Size	Hole Spacing	Width	Thickness
9/16" Diameter 14.3 mm	1 3/16" (20.6 mm) From End 1 7/8" (47.6 mm) On Center	1 5/8" 41.3 mm	1/4" 6.4 mm

NINETY DEGREE ANGLE FITTINGS FOR 1 5/8" (41 MM) WIDTH SERIES CHANNEL

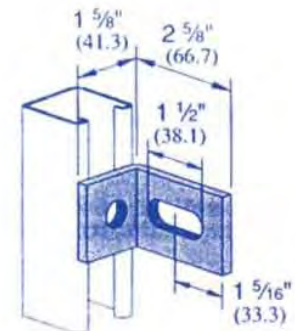


NDAF41 -135



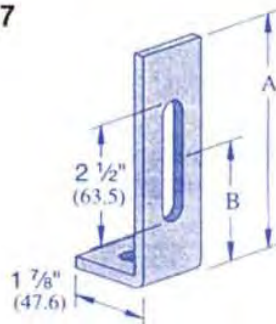
Part Number	"A" Dimension		Weight/C	
	In	mm	Lbs	kg
P1538 A	3 7/8	98.4	61	27.7
P1538 B	5 7/8	149.2	84	38.1
P1538 C	7 7/8	200.0	107	48.5
P1538 D	9 7/8	250.8	130	

NDAF41 -136



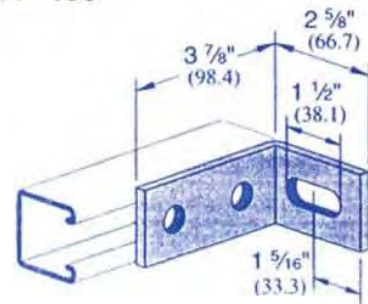
W/C 38 Lbs (17.2 kg)

NDAF41 -137



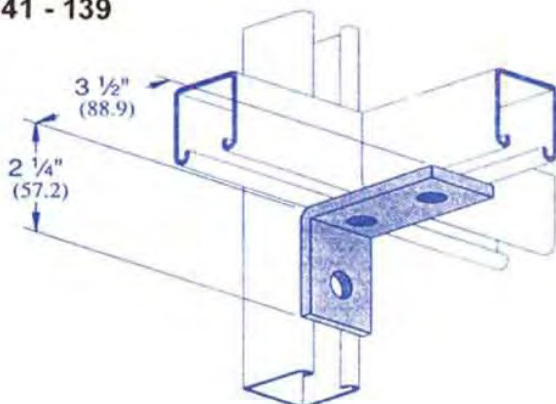
Part Number	"A"		"B"		Weight/C	
	In	mm	In	mm	Lbs	kg
P1498	4 7/8	123.8	2 1/2	63.5	65	29.5
P1499	6 7/8	174.6	4 1/2	114.3	85	38.6

NDAF41 -138



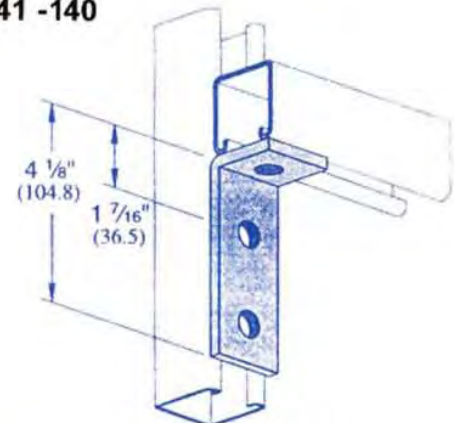
W/C 66 Lbs (29.9 kg)

NDAF41 -139



W/C 58 Lbs (26.3 kg)

NDAF41 -140



W/C 58 Lbs (26.3 kg)

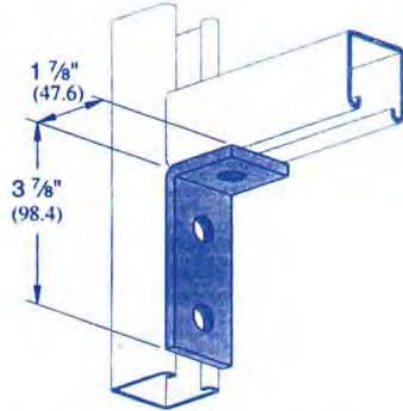
Hole Size	Hole Spacing	Width	Thickness
9/16" Diameter 14.3 mm	1 3/16" (20.6 mm) From End 1 7/8" (47.6 mm) On Center	1 5/8" 41.3 mm	1/4" 6.4 mm



NINETY DEGREE ANGLE FITTINGS

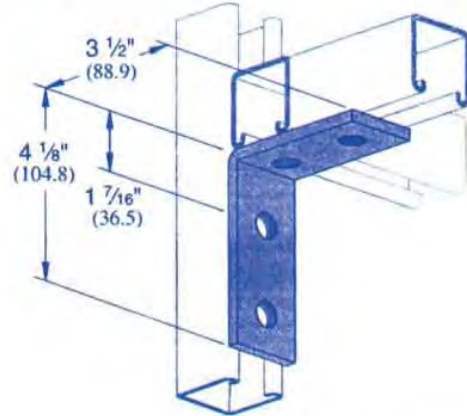
FOR 1 5/8" (41 MM) WIDTH SERIES CHANNEL

NDAF41 - 141



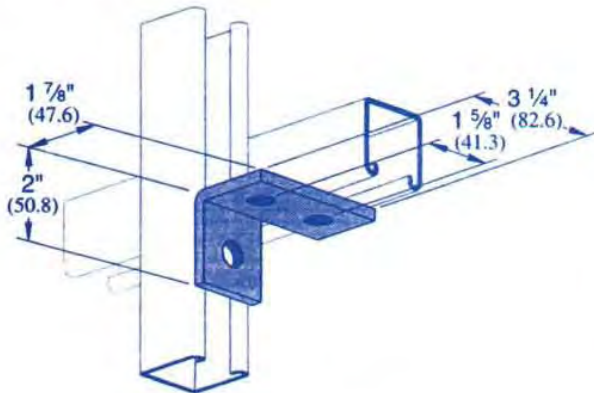
W/C 58 Lbs (26.3 kg)

NDAF41 - 142



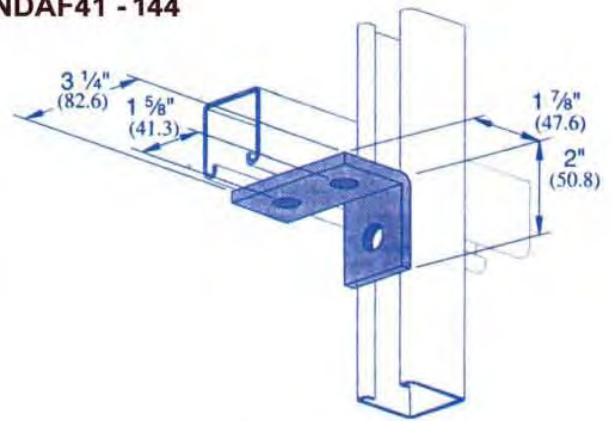
W/C 78 Lbs (35.4 kg)

NDAF41 - 143



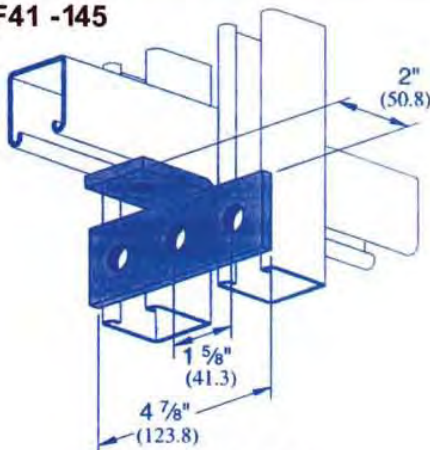
W/C 55 Lbs (24.9 kg)

NDAF41 - 144



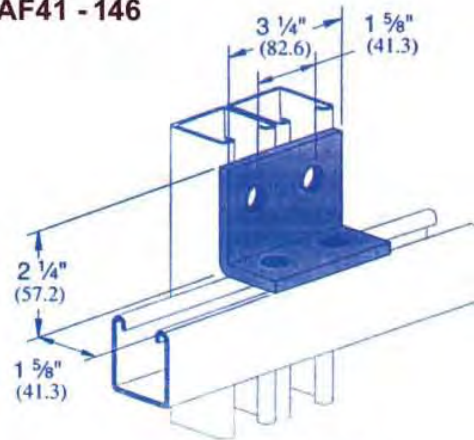
W/C 55 Lbs (24.9 kg)

NDAF41 - 145



W/C 71 Lbs (32.2 kg)

NDAF41 - 146



W/C 75 Lbs (34.0 kg)

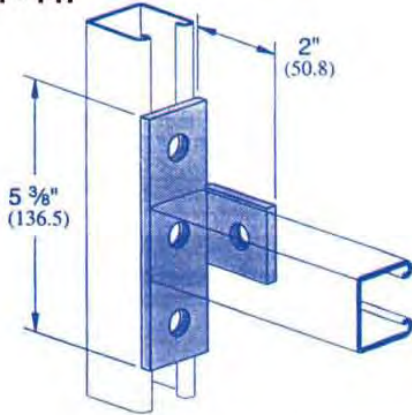
Hole Size	Hole Spacing	Width	Thickness
5/16" Diameter 14.3 mm	1 3/16" (20.6 mm) From End 1 7/8" (47.6 mm) On Center	1 5/8" 41.3 mm	1/4" 6.4 mm

NINETY DEGREE ANGLE FITTINGS

FOR 1 5/8" (41 MM) WIDTH SERIES CHANNEL

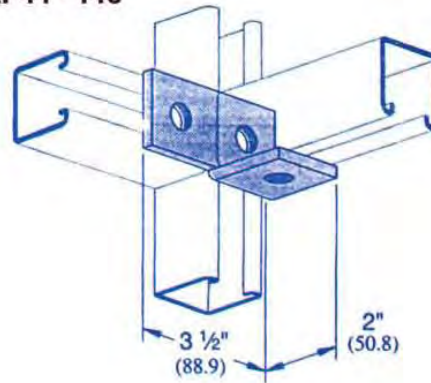


NDAF41 - 147



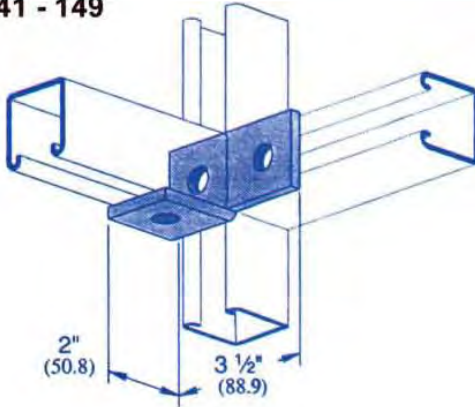
Wt/C 80 Lbs (36.3 kg)

NDAF41 - 148



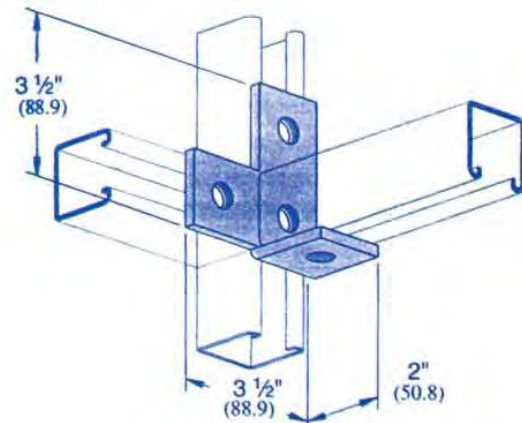
Wt/C 58 Lbs (26.3 kg)

NDAF41 - 149



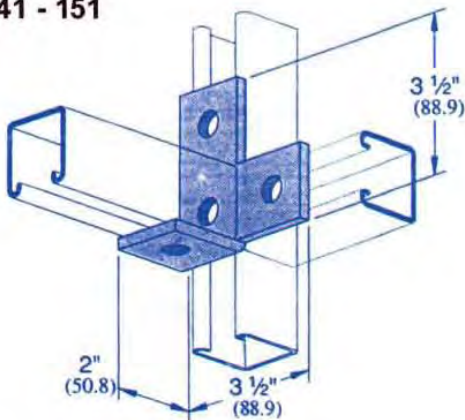
Wt/C 58 Lbs (26.3 kg)

NDAF41 - 150



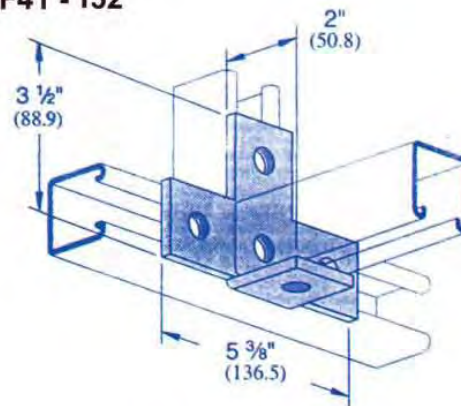
Wt/C 80 Lbs (36.3 kg)

NDAF41 - 151



Wt/C 80 Lbs (36.3 kg)

NDAF41 - 152



Wt/C 105 Lbs (47.6 kg)

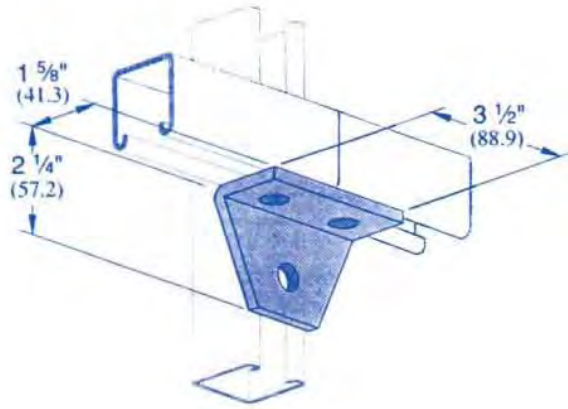
Hole Size	Hole Spacing	Width	Thickness
5/16" Diameter 14.3 mm	13/16" (20.6 mm) From End 1 1/8" (47.6 mm) On Center	1 5/8" 41.3 mm	1/4" 6.4 mm



NINETY DEGREE ANGLE FITTINGS

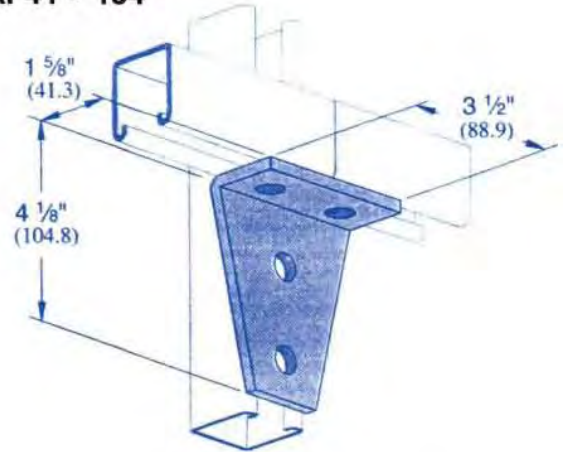
FOR 1 5/8" (41 MM) WIDTH SERIES CHANNEL

NDAF41 - 153



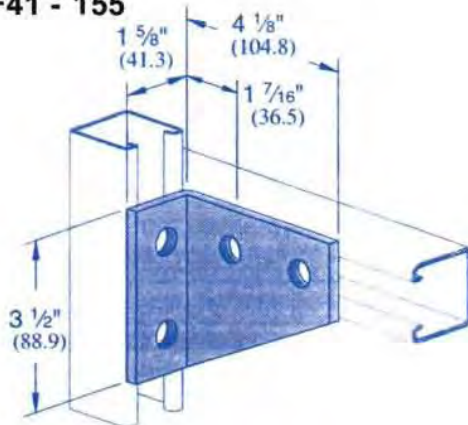
W/C 70 Lbs (31.8 kg)

NDAF41 - 154



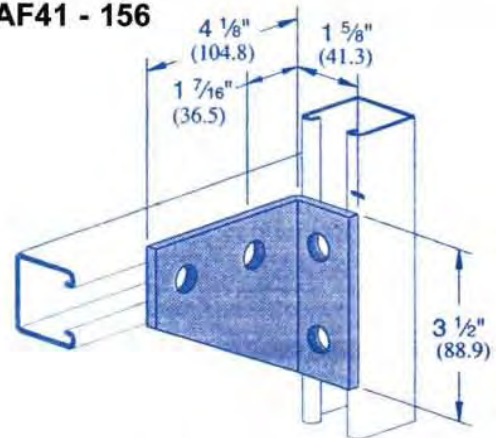
W/C 105 Lbs (47.6 kg)

NDAF41 - 155



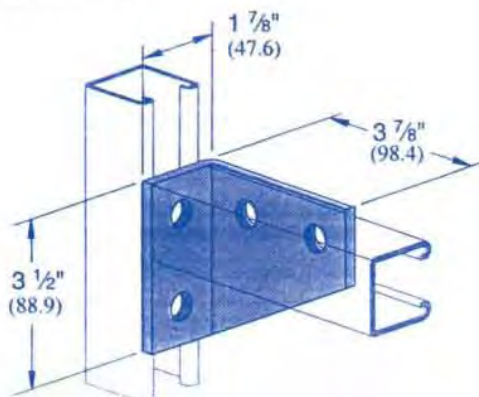
W/C 105 Lbs (47.6 kg)

NDAF41 - 156



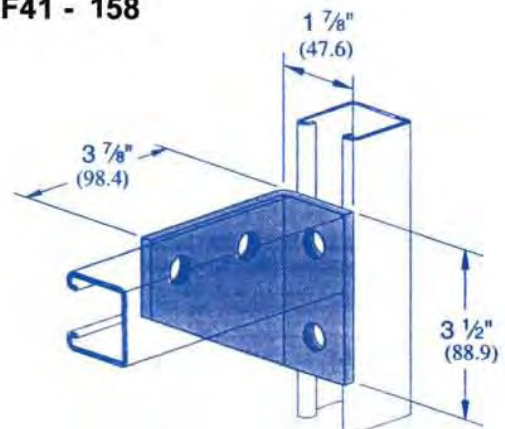
W/C 105 Lbs (47.6 kg)

NDAF41 - 157



W/C 101 Lbs (45.8 kg)

NDAF41 - 158



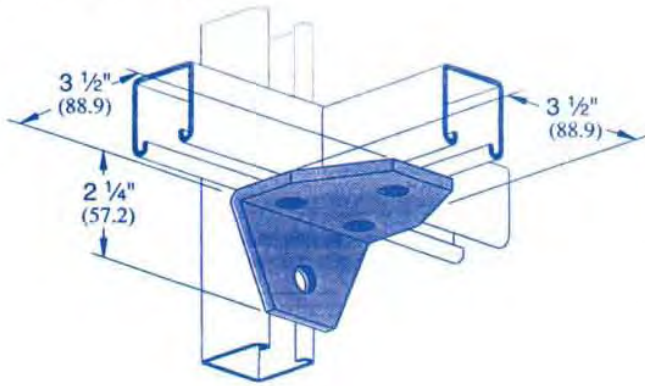
W/C 101 Lbs (45.8 kg)

Hole Size	Hole Spacing	Width	Thickness
5/16" Diameter 14.3 mm	13/16" (20.6 mm) From End 1 7/8" (47.6 mm) On Center	1 5/8" 41.3 mm	1/4" 6.4 mm

NINETY DEGREE ANGLE FITTINGS FOR 1 5/8" (41 MM) WIDTH SERIES CHANNEL

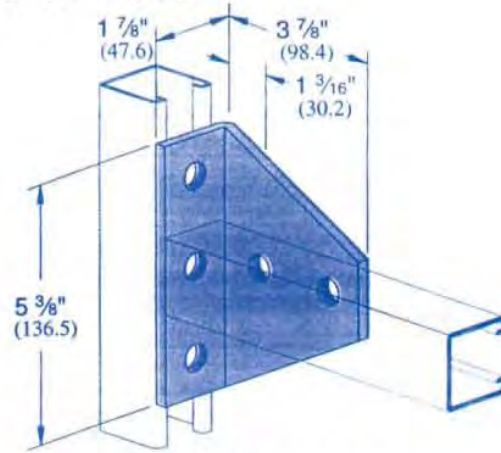


NDAF41 - 159



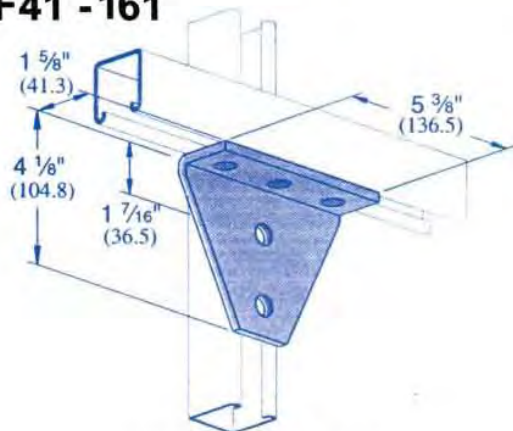
W/C 103 Lbs (46.7 kg)

NDAF41 - 160



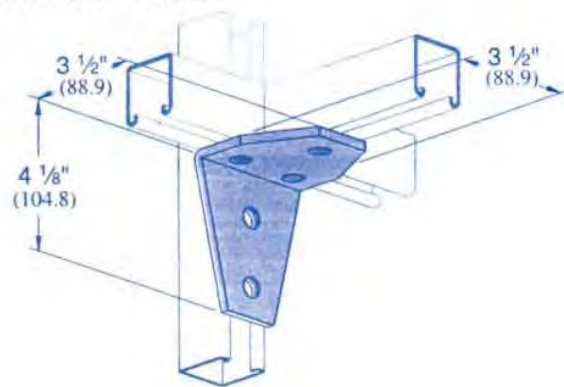
W/C 154 Lbs (69.9 kg)

NDAF41 - 161



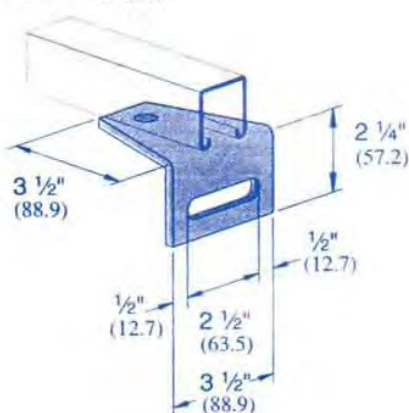
W/C 154 Lbs (69.9 kg)

NDAF41 - 162



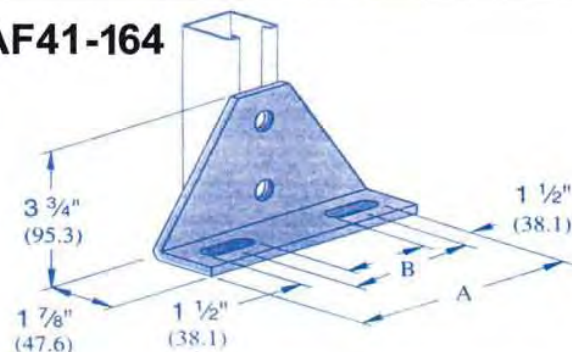
W/C 135 Lbs (61.2 kg)

NDAF41 - 163



W/C 97 Lbs (44.0 kg)

NDAF41-164



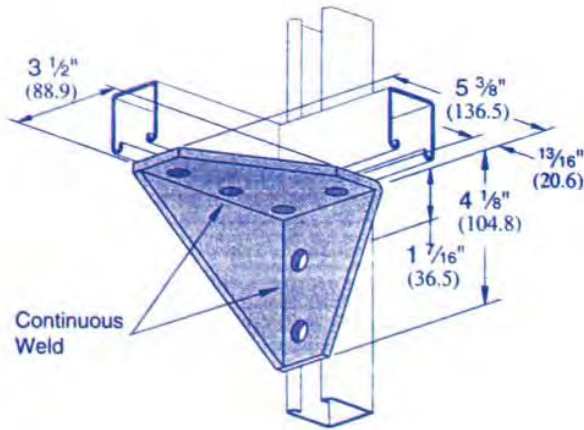
Part Number	"A"		"B"		Weight/C	
	In	mm	In	mm	Lbs	kg
P1130	6 5/8	168.3	4	101.6	190	86.2
P1131	8 5/8	219.1	6	152.4	242	109.8

Hole Size	Hole Spacing	Width	Thickness
5/16" Diameter 14.3 mm	3/16" (20.5 mm) From End 1 7/8" (47.6 mm) On Center	1 5/8" 41.3 mm	1/4" 6.4 mm



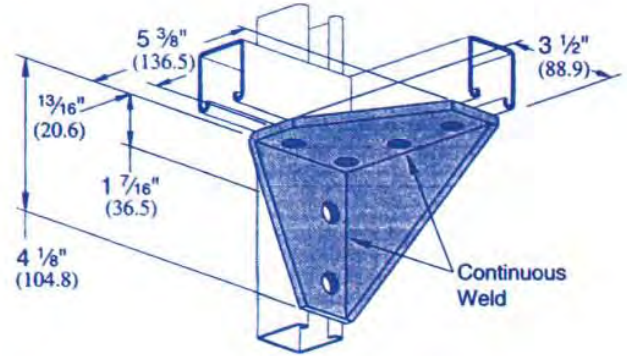
NINETY DEGREE ANGLE FITTINGS FOR 1 5/8" (41 MM) WIDTH SERIES CHANNEL

NDAF41 - 165



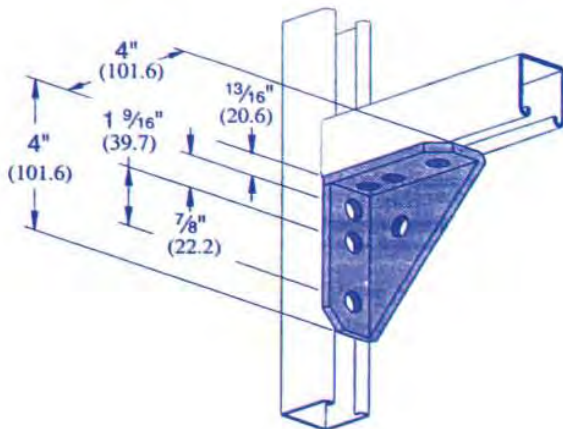
W/C 230 Lbs (104.3 kg)

NDAF41 - 166



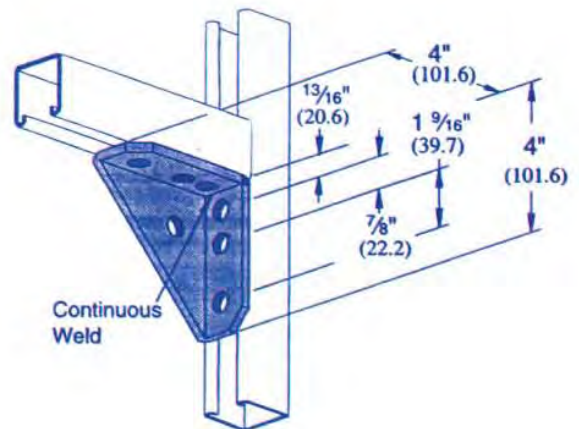
W/C 230 Lbs (104.3 kg)

NDAF41 - 167



W/C 134 Lbs (60.8 kg)

NDAF41 - 168



W/C 134 Lbs (60.8 kg)

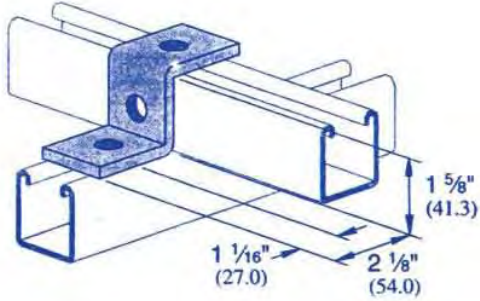
Hole Size	Hole Spacing	Width	Thickness
5/16" Diameter 14.3 mm	13/16" (20.6 mm) From End 1 7/8" (47.6 mm) On Center	1 5/8" 41.3 mm	1/4" 6.4 mm

"Z" SHAPE FITTINGS

FOR 1 5/8" (41 MM) WIDTH SERIES CHANNEL

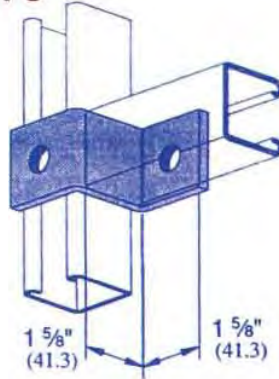


ZSF41 - 169



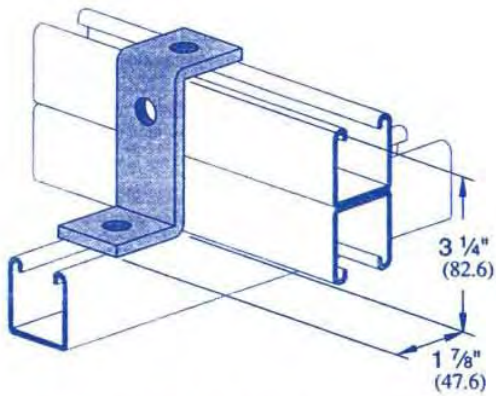
W/C 55 Lbs (24.9 kg)

ZSF41 - 170



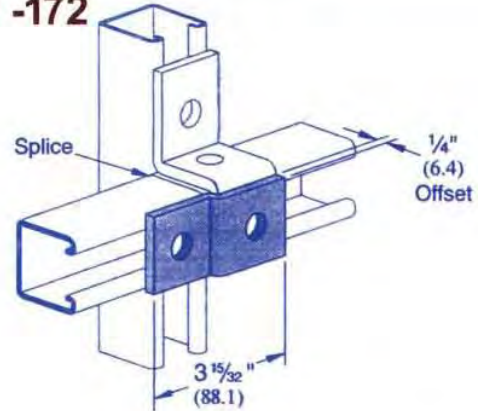
W/C 55 Lbs (24.9 kg)

ZSF41 - 171



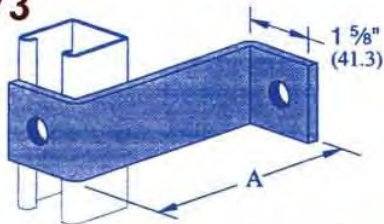
W/C 70 Lbs (31.8 kg)

ZSF41 - 172



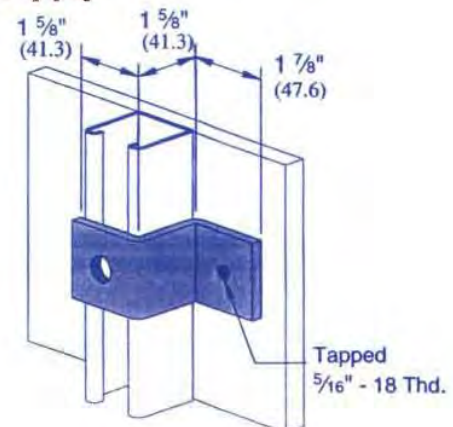
W/C 38 Lbs (17.2 kg)

ZSF41 - 173



Part Number	"A" Dimension		Weight/C	
	In	mm	Lbs	kg
4		101.6	81	36.7
5		127.0	92	41.7
6		152.4	104	47.2
7		177.8	115	52.2
8		203.2	127	57.6

ZSF41 - 174



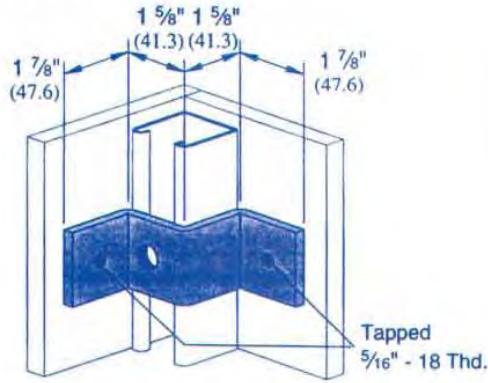
W/C 54 Lbs (24.5 kg)

Hole Size	Hole Spacing	Width	Thickness
9/16" Diameter 14.3 mm	1 3/16" (20.6 mm) From End 1 7/8" (47.6 mm) On Center	1 5/8" 41.3 mm	1/4" 6.4 mm



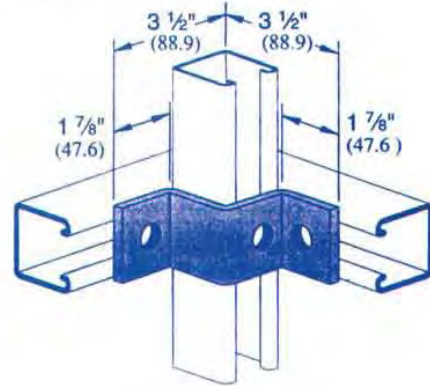
"Z" SHAPE FITTINGS FOR 1 5/8" (41 MM) WIDTH SERIES CHANNEL

ZSF41 - 175



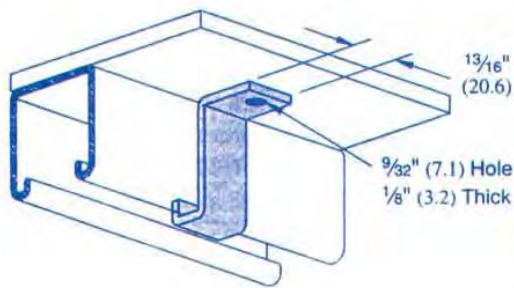
Wt/C 70 Lbs (31.8 kg)

ZSF41 -176



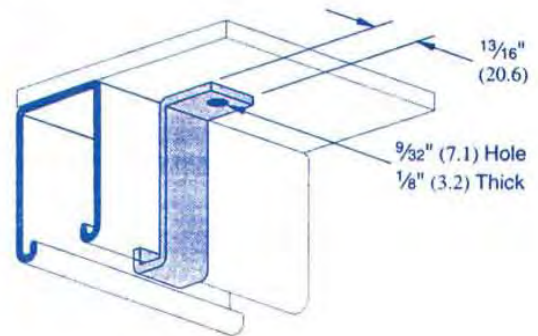
Wt/C 70 Lbs (31.8 Kg)

ZSF41 - 177



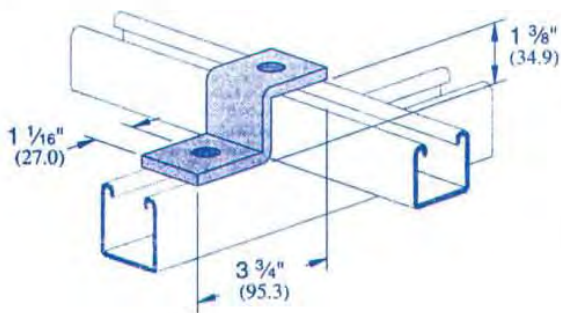
Wt/C 9 Lbs (4.1 kg)

ZSF41 -178



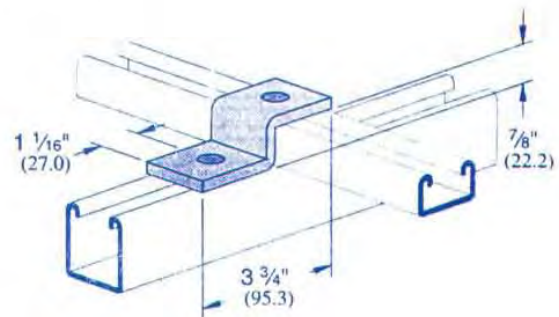
Wt/C 11 Lbs (5.0 kg)

ZSF41 - 179



Wt/C 53 Lbs (24.0 kg)

ZSF41 -180



Wt/C 47 Lbs (21.3 kg)

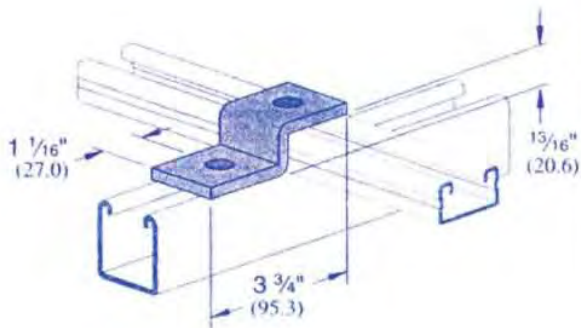
Hole Size	Hole Spacing	Width	Thickness
9/16" Diameter 14.3 mm	13/16" (20.6 mm) From End 1 7/8" (47.6 mm) On Center	1 5/8" 41.3 mm	1/4" 6.4 mm

"Z" SHAPE FITTINGS

FOR 1 5/8" (41 MM) WIDTH SERIES CHANNEL

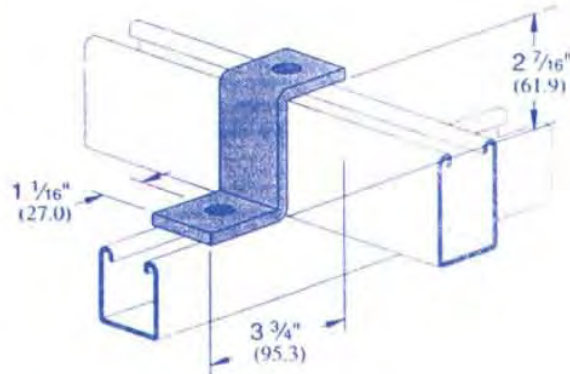


ZSF41 - 181



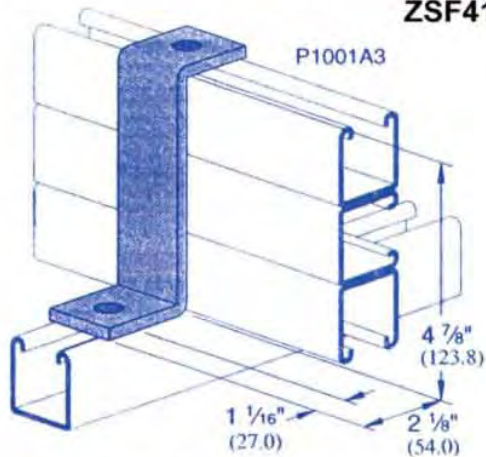
Wt/C 47 Lbs (21.3 kg)

ZSF41 - 182



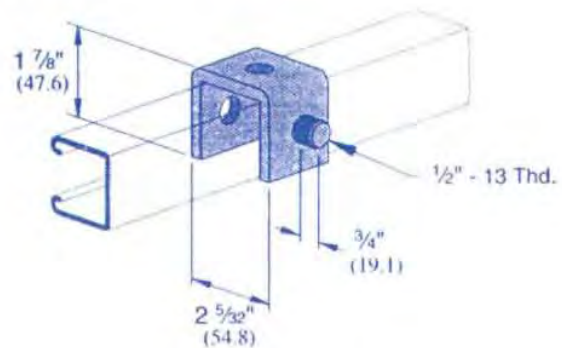
Wt/C 67 Lbs (30.4 kg)

ZSF41 - 183



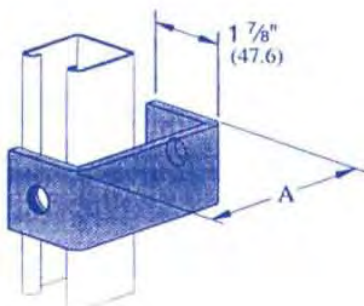
Wt/C 93 Lbs (42.2 kg)

USF41 - 184



Wt/C 63 Lbs (28.6 kg)

USF41 - 185



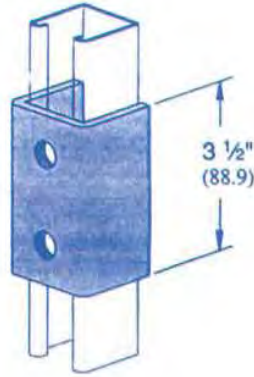
Part Number	"A" Dimension		Weight/C	
	In	mm	Lbs	kg
	4	101.6	78	35.4
	5	127.0	89	40.4
	6	152.4	101	45.8
	7	177.8	112	50.8
	8	203.2	124	56.2

Hole Size	Hole Spacing	Width	Thickness
5/16" Diameter 14.3 mm	3/16" (20.6 mm) From End 1 7/8" (47.6 mm) On Center	1 5/8" 41.3 mm	3/4" 6.4 mm



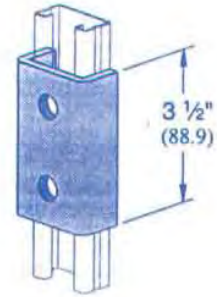
"U" SHAPE FITTINGS FOR 1 5/8" (41 MM) WIDTH SERIES CHANNEL

USF41 - 186



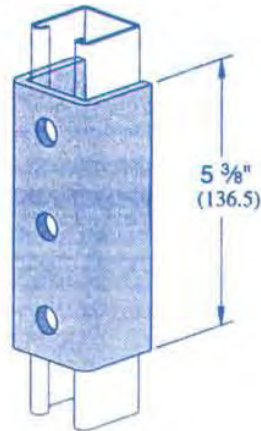
Wt/C 128 Lbs (58.1 kg)

USF41 - 187



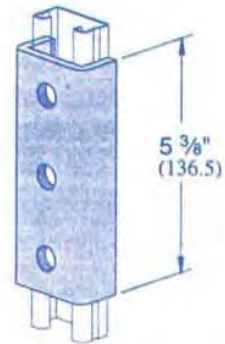
Wt/C 85 Lbs (38.6 kg)

USF41 - 188



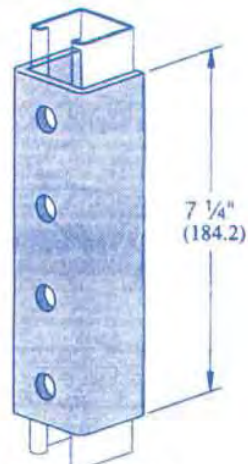
Wt/C 197 Lbs (89.4 kg)

USF41 - 189



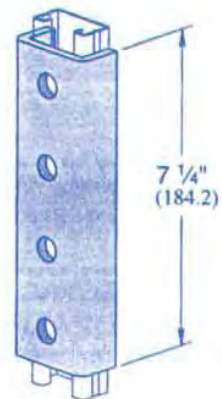
Wt/C 130 Lbs (59.0 kg)

USF41 - 190



Wt/C 265 Lbs (120.2 kg)

USF41 - 191



Wt/C 176 Lbs (79.8 kg)

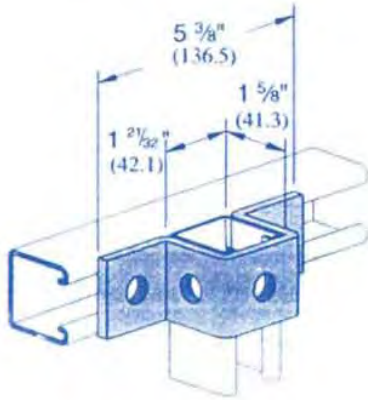
Hole Size	Hole Spacing	Width	Thickness
5/16" Diameter 14.3 mm	1 3/16" (20.6 mm) From End 1 7/8" (47.6 mm) On Center	1 5/8" 41.3 mm	1/4" 6.4 mm

"U" SHAPE FITTINGS

FOR 1 5/8" (41 MM) WIDTH SERIES CHANNEL

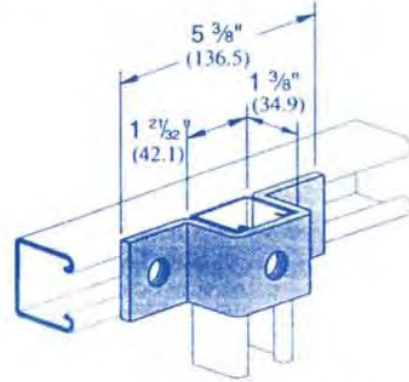


USF41 - 192



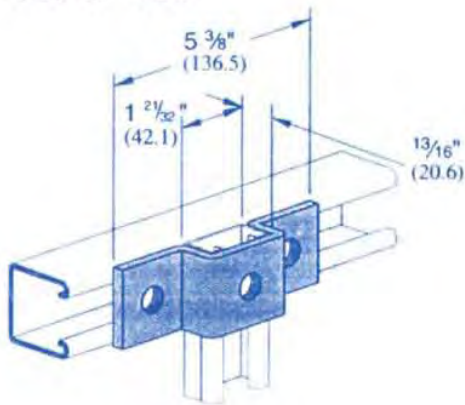
W/C 88 Lbs (39.9 kg)

USF41 - 193



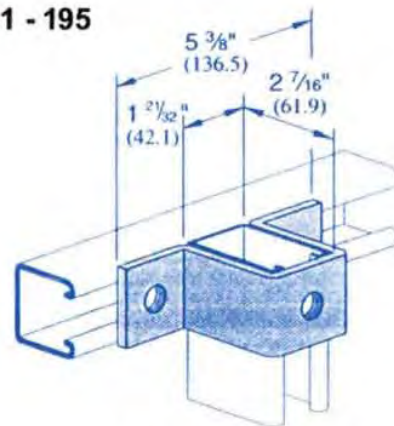
W/C 84 Lbs (38.1 kg)

USF41 - 194



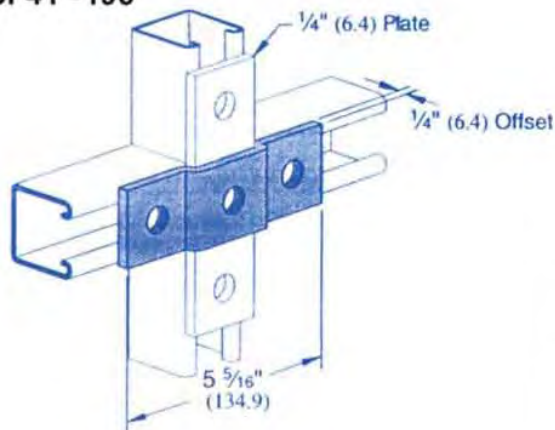
W/C 71 Lbs (32.2 kg)

USF41 - 195



W/C 108 Lbs (49.0 kg)

USF41 - 196



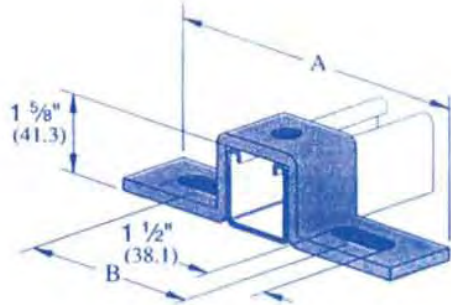
W/C 58 Lbs (26.3 kg)

Hole Size	Hole Spacing	Width	Thickness
5/16" Diameter 14.3 mm	13/16" (20.6 mm) From End 1 1/8" (47.6 mm) On Center	1 1/8" 41.3 mm	1/4" 6.4 mm



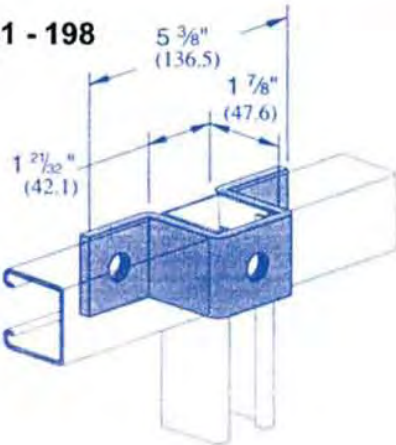
"U" SHAPE FITTINGS FOR 1 5/8" (41 MM) WIDTH SERIES CHANNEL

USF41 - 197



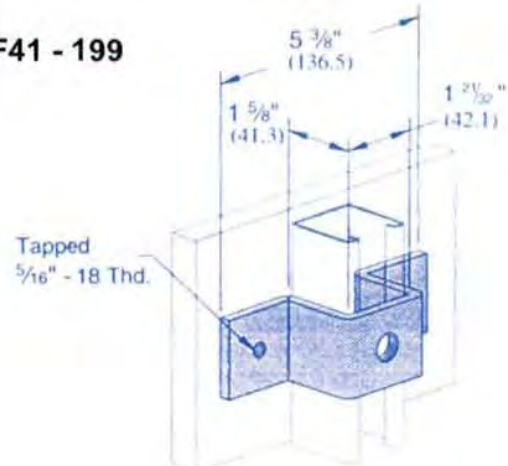
Part Number	"A"		"B"		Weight/C	
	In	mm	In	mm	Lbs	kg
	7 1/4	184.2	4 1/8	104.8	105	47.6
	8 1/2	215.9	5 3/8	136.5	120	54.4
	10 3/8	263.5	7 1/4	184.2	130	59.0

USF41 - 198



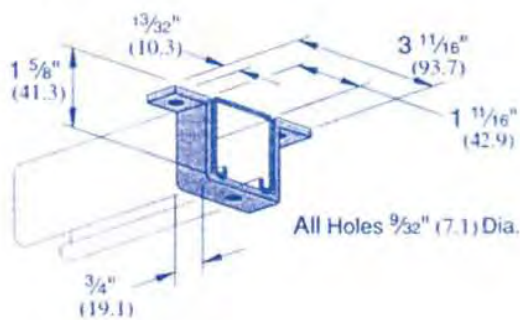
Wt/C 95 Lbs (43.1 kg)

USF41 - 199



Wt/C 88 Lbs (39.9 kg)

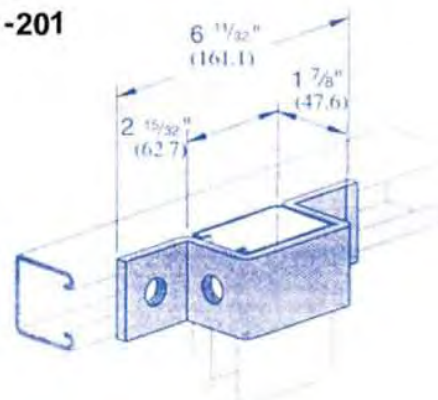
USF41 - 200



Material : 1/8" (3.2) thick.

Wt/C 18 Lbs (8.2 kg)

USF41 -201



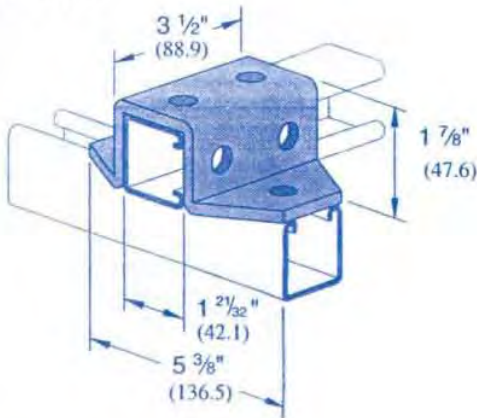
Wt/C 97 Lbs (44.0 kg)

Hole Size	Hole Spacing	Width	Thickness
9/16" Diameter 14.3 mm	1 3/16" (20.6 mm) From: End 1 7/8" (47.6 mm) On Center	1 5/8" 41.3 mm	1/8" 6.4 mm

"U" AND WING SHAPE FITTINGS FOR 1 5/8" (41 MM) WIDTH SERIES CHANNEL

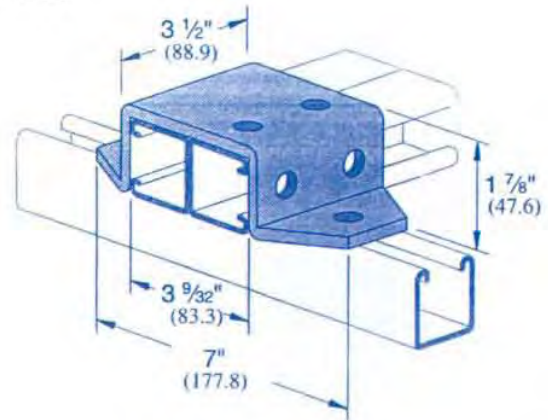


USF41 - 202



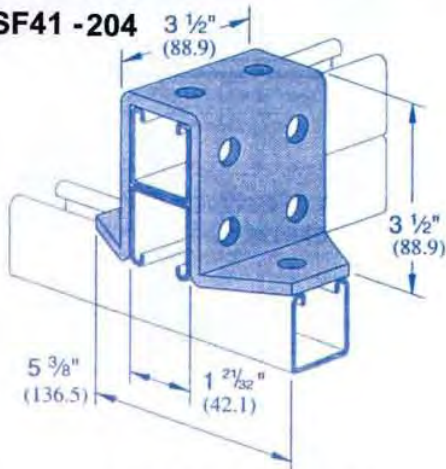
Wt/C 171 Lbs (77.6 kg)

USF41 - 203



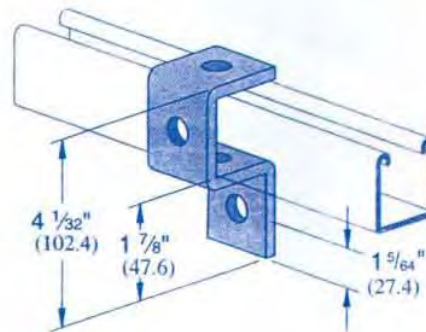
Wt/C 209 Lbs (94.8 kg)

USF41 - 204



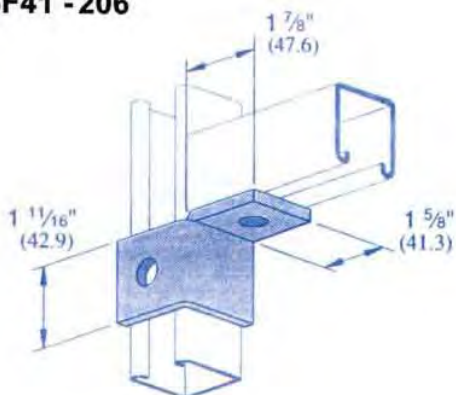
Wt/C 257 Lbs (116.6 kg)

WSF41 - 205



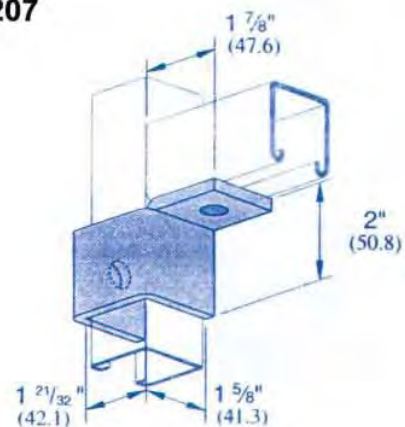
Wt/C 76 Lbs (34.5 kg)

WSF41 - 206



Wt/C 60 Lbs (27.2 kg)

WSF41 - 207



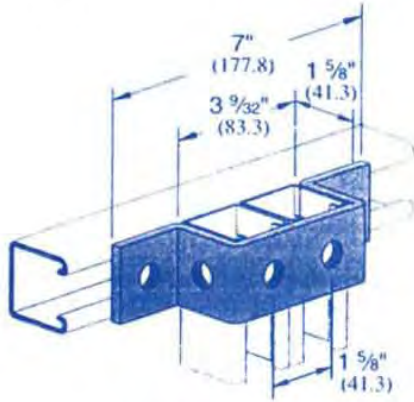
Wt/C 75 Lbs (34.0 kg)

Hole Size	Hole Spacing	Width	Thickness
5/16" Diameter 14.3 mm	13/16" (20.6 mm) From End 1 7/8" (47.6 mm) On Center	1 5/8" 41.3 mm	1/4" 6.4 mm



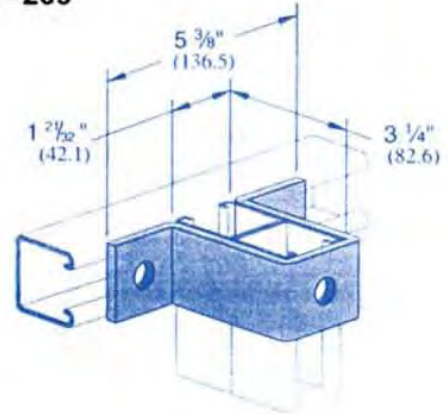
"U" SHAPE FITTINGS FOR 1 5/8" (41 MM) WIDTH SERIES CHANNEL

USF41 - 208



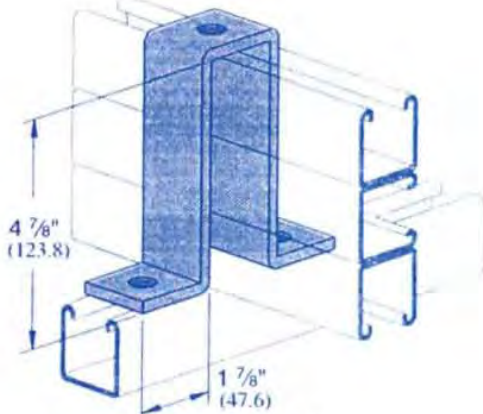
W/C 105 Lbs (47.6 kg)

USF41 - 209



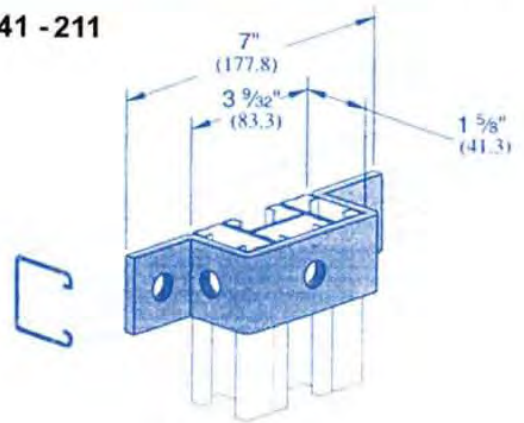
W/C 128 Lbs (58.1 kg)

USF41 - 210



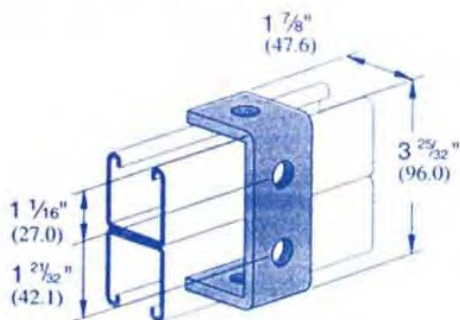
W/C 197 Lbs (89.4 kg)

USF41 - 211



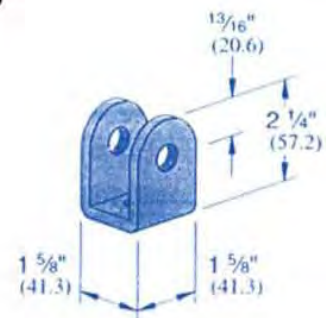
W/C 106 Lbs (48.1 kg)

USF41 - 212



W/C 70 Lbs (31.8 kg)

USF41 - 213



W/C 53 Lbs (24.0 kg)

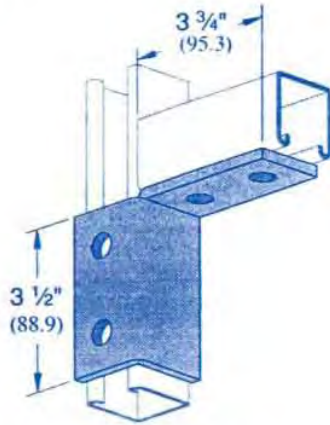
Hole Size	Hole Spacing	Width	Thickness
3/16" Diameter 14.3 mm	13/16" (20.6 mm) From End 1 7/8" (47.6 mm) On Center	1 5/8" 41.3 mm	1/4" 6.4 mm

WING SHAPE FITTINGS

FOR 1 5/8" (41 MM) WIDTH SERIES CHANNEL

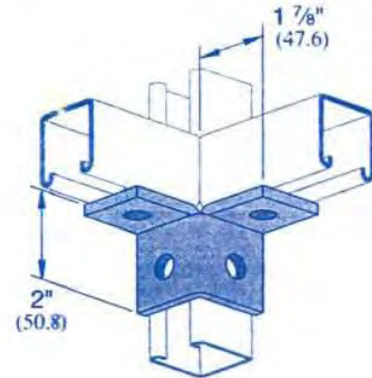


WSF41 - 214



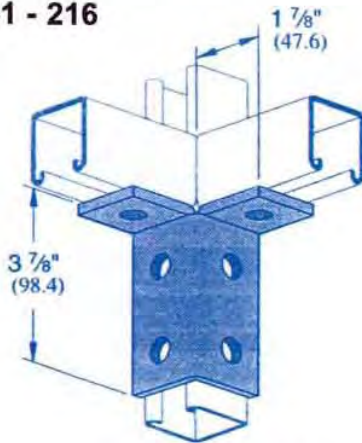
W/C 119 Lbs (54.0 kg)

WSF41 - 215



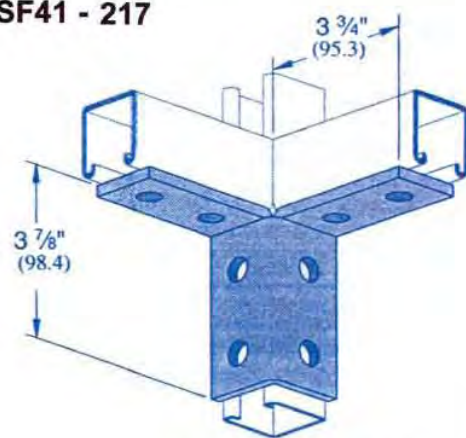
W/C 76 Lbs (34.5 kg)

WSF41 - 216



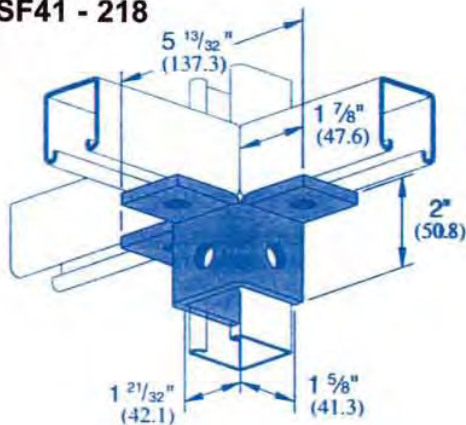
W/C 115 Lbs (52.2 kg)

WSF41 - 217



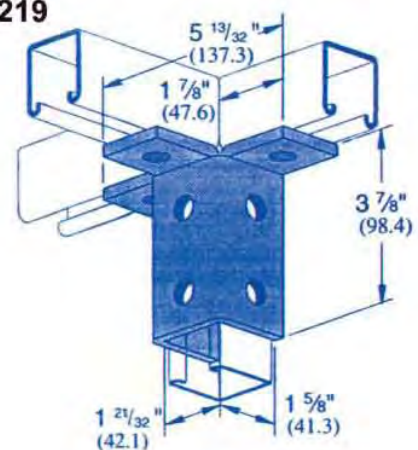
W/C 155 Lbs (70.3 kg)

WSF41 - 218



W/C 113 Lbs (51.3 kg)

WSF41 - 219



W/C 177 Lbs (80.3 kg)

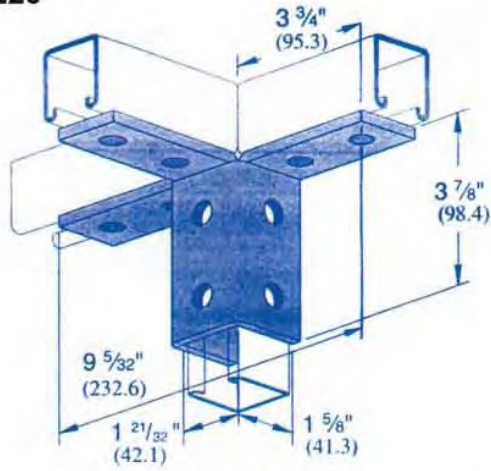
Hole Size	Hole Spacing	Width	Thickness
9/16" Diameter 14.3 mm	13/16" (20.6 mm) From End 1 7/8" (47.6 mm) On Center	1 5/8" 41.3 mm	1/4" 6.4 mm



WING SHAPE FITTINGS

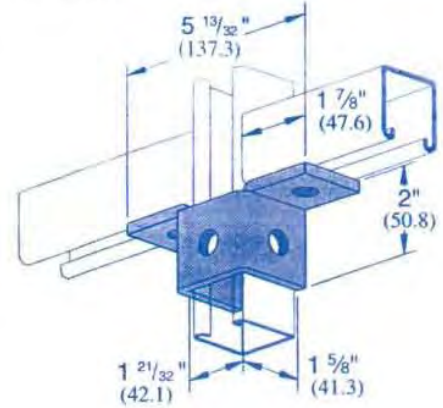
FOR 1 5/8" (41 MM) WIDTH SERIES CHANNEL

WSF41 - 220



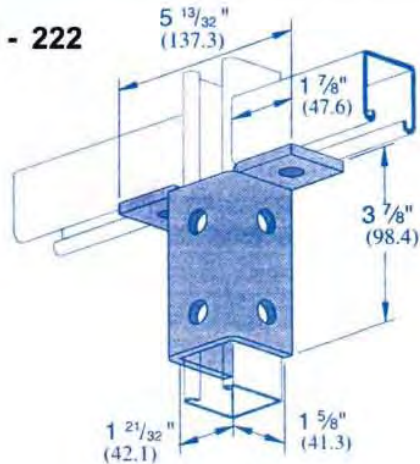
Wt/C 230 Lbs (104.3 kg)

WSF41 - 221



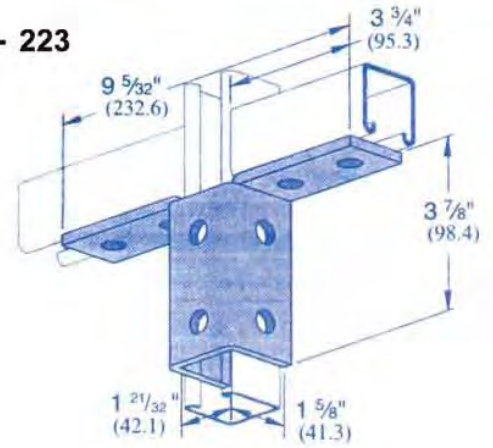
Wt/C 93 Lbs (42.2 kg)

WSF41 - 222



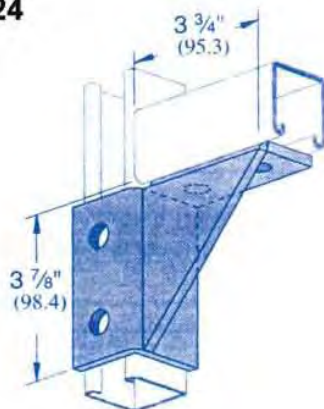
Wt/C 150 Lbs (68.0 kg)

WSF41 - 223



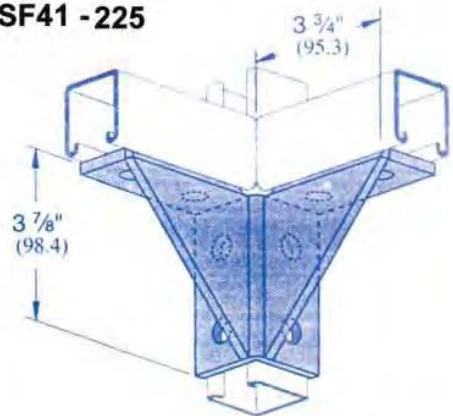
Wt/C 193 Lbs (87.5 kg)

WSF41 - 224



Wt/C 176 Lbs (79.8 kg)

WSF41 - 225



Wt/C 217 Lbs (98.4 kg)

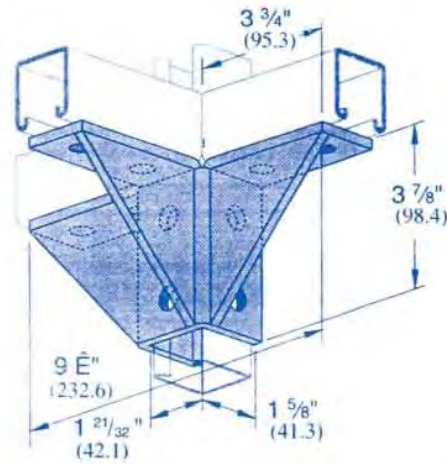
Hole Size	Hole Spacing	Width	Thickness
9/16" Diameter 14.3 mm	13/16" (20.6 mm) From End 1 7/8" (47.6 mm) On Center	1 5/8" 41.3 mm	1/4" 6.4 mm

WING SHAPE FITTINGS

FOR 1 5/8" (41 MM) WIDTH SERIES CHANNEL

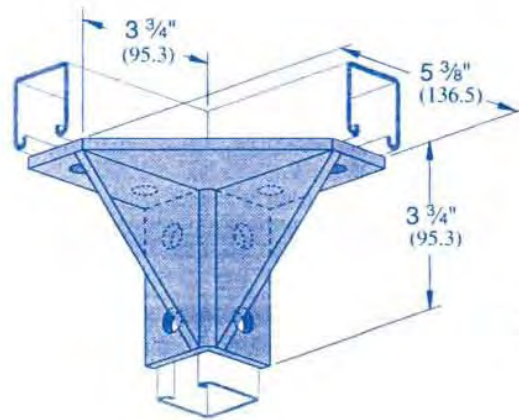


WSF41 - 226



W/C 310 Lbs (140.6 kg)

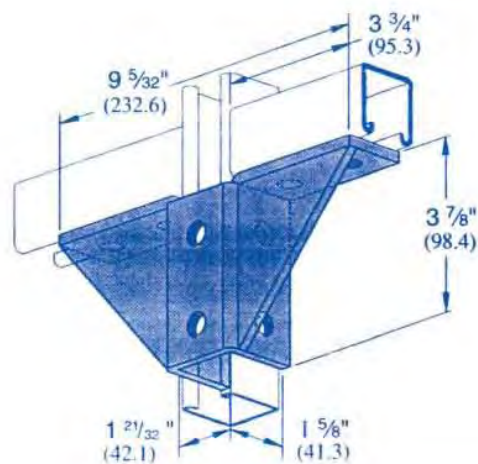
WSF41 - 227



Fitting notched for continuous vertical.

W/C 315 Lbs (142.9 kg)

WSF41 - 228



W/C 274 Lbs (124.3 kg)

Hole Size	Hole Spacing	Width	Thickness
3/16" Diameter 14.3 mm	3/16" (20.6 mm) From End 1 7/8" (47.6 mm) On Center	1 5/8" 41.3 mm	1/4" 6.4 mm

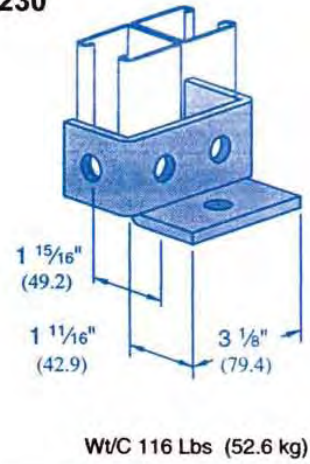


POST BASES FOR 1 5/8" (41 MM) WIDTH SERIES CHANNEL

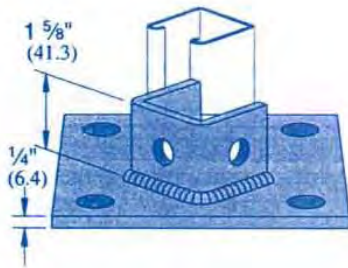
POF41 - 229



POF41 - 230

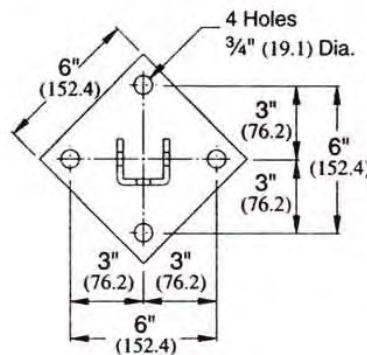


POF41 - 231



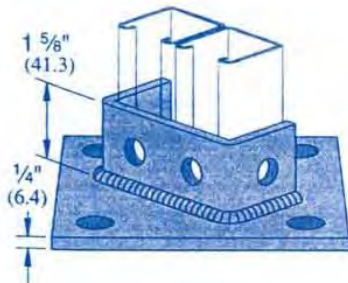
Wt/C 307 Lbs (139.3 kg)

POF41 - 232



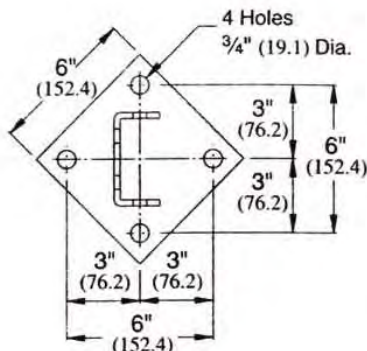
Wt/C 373 Lbs (169.2 kg)

POF41 - 233



Wt/C 325 Lbs (147.4 kg)

POF41 - 234



Wt/C 408 Lbs (185.1 kg)

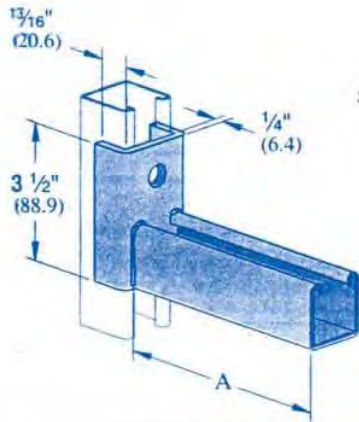
Hole Size	Hole Spacing	Width	Thickness
9/16" Diameter 14.3 mm	1 3/16" (20.6 mm) From End 1 7/8" (47.6 mm) On Center	1 5/8" 41.3 mm	1/4" 6.4 mm

BRACKETS

FOR 1 5/8" (41 MM) WIDTH SERIES CHANNEL



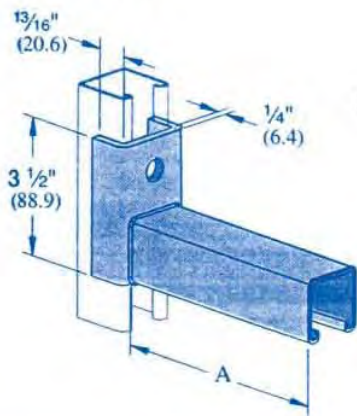
BF41 -145



Safety Factor
2½

Part Number	"A"		Weight/C		Vertical Channel		Uniform Design Load	
	In	mm	Lbs	kg	Part No.	Gage	Lbs	kN
	6	152.4	191	86.6		12	1600	7.1
						14	1200	5.3
						16	800	3.6
	12	304.8	292	132.4		12	800	3.6
						14	600	2.7
						16	400	1.8

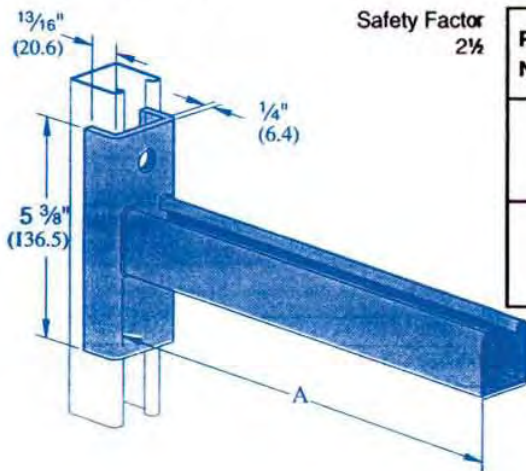
BF41 -146



Safety Factor
2½

Part Number	"A"		Weight/C		Vertical Channel		Uniform Design Load	
	In	mm	Lbs	kg	Part No.	Gage	Lbs	kN
	6	152.4	191	86.6		12	1600	7.1
						14	1200	5.3
						16	800	3.6
	12	304.8	292	132.4		12	800	3.6
						14	600	2.7
						16	400	1.8

BF41 -147



Safety Factor
2½

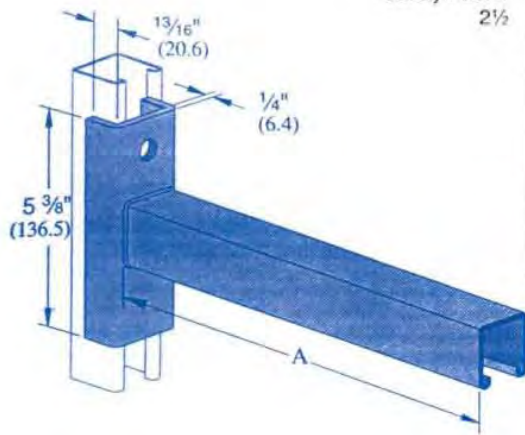
Part Number	"A"		Weight/C		Vertical Channel		Uniform Design Load	
	In	mm	Lbs	kg	Part No.	Gage	Lbs	kN
	18	457.2	436	197.8		12	600	2.7
						14	450	2.0
						16	300	1.3
	24	609.6	536	243.1		12	450	2.0
						14	330	1.5
						16	220	1.0



BRACKETS

FOR 1 5/8" (41 MM) WIDTH SERIES CHANNEL

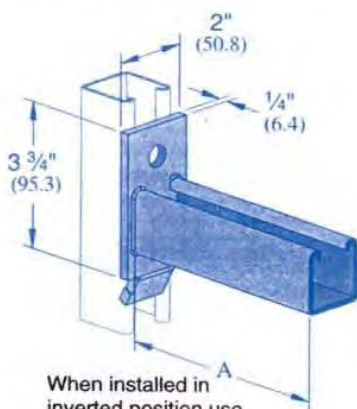
BF41 - 148



Safety Factor
2 1/2

Part Number	"A"		Weight/C		Vertical Channel		Uniform Design Load	
	In	mm	Lbs	kg	Part No.	Gage	Lbs	kN
18	457.2	436	197.8			12	600	2.7
						14	450	2.0
						16	300	1.3
24	609.6	536	243.1			12	450	2.0
						14	330	1.5
						16	220	1.0

BF41 - 149

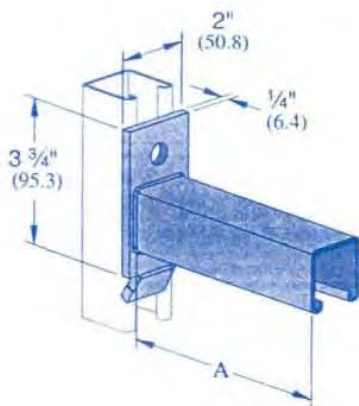


Safety Factor
2 1/2

Part Number	"A"		Weight/C		Vertical Channel		Uniform Design Load	
	In	mm	Lbs	kg	Part No.	Gage	Lbs	kN
6	152.4	161	73.0			12	1200	5.3
						14	800	3.6
						16	600	2.7
12	304.8	261	118.4			12	600	2.7
						14	400	1.8
						16	300	1.3
18	457.2	361	163.7			12	400	1.8
						14	270	1.2
						16	200	0.9
24	609.6	461	209.1			12	300	1.3
						14	200	0.9
						16	150	0.7

When installed in inverted position use 60% of loads shown.

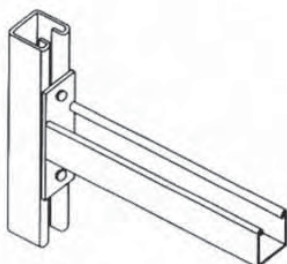
BF41 - 150



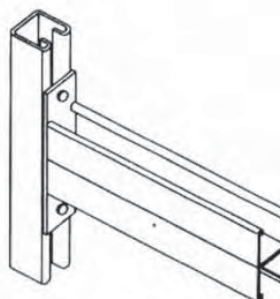
Safety Factor
2 1/2

Part Number	"A"		Weight/C		Vertical Channel		Uniform Design Load	
	In	mm	Lbs	kg	Part No.	Gage	Lbs	kN
6	152.4	161	73.0			12	1200	5.3
						14	800	3.6
						16	600	2.7
12	304.8	261	118.4			12	600	2.7
						14	400	1.8
						16	300	1.3
18	457.2	361	163.7			12	400	1.8
						14	270	1.2
						16	200	0.9
24	609.6	461	209.1			12	300	1.3
						14	200	0.9
						16	150	0.7

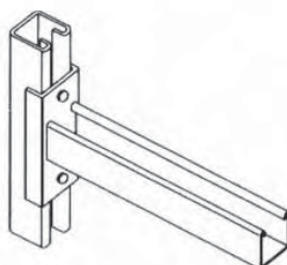
CANTILEVER ARMS



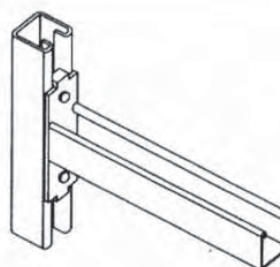
FS10 - 41



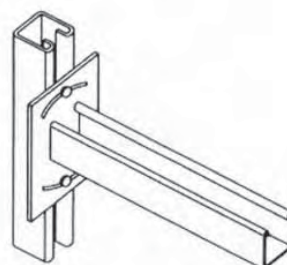
FS11 - 41



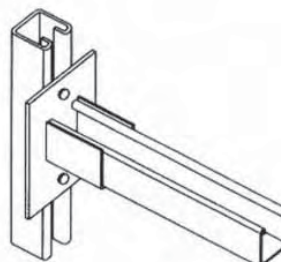
FS12 - 41



FS13 - 41



FS14 - 41



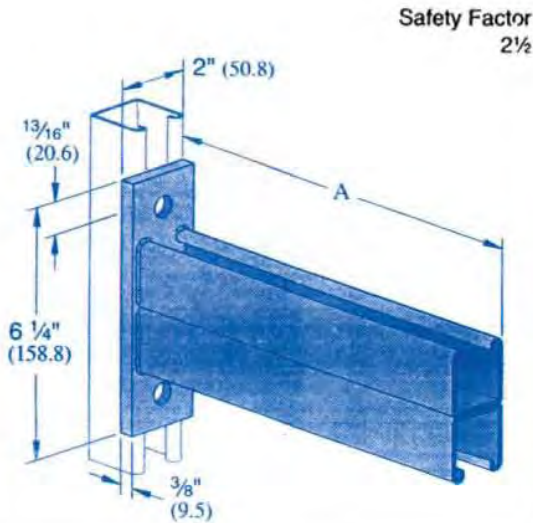
FS15 - 41

CANTILEVER ARMS ARE MANUFACTURED USUALLY HOT-DIP

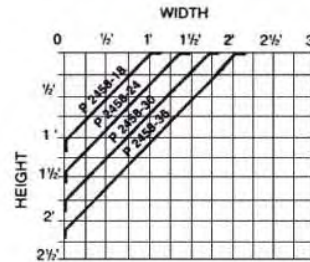
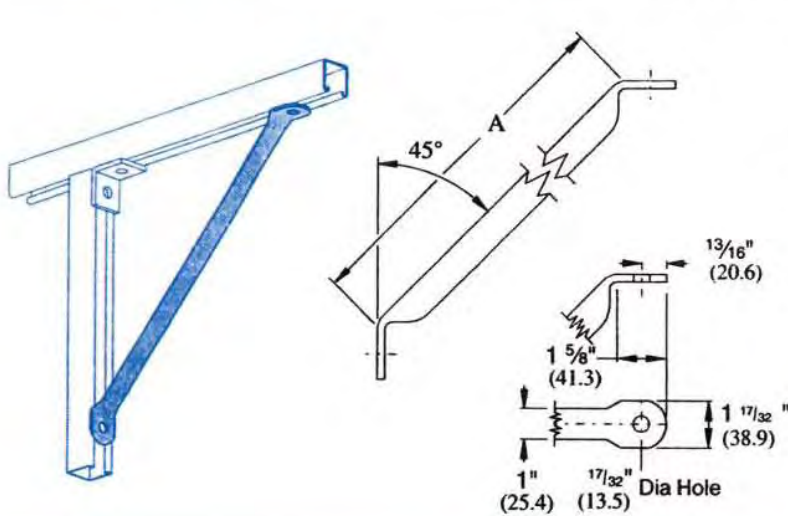


BRACKETS & BRACE FITTINGS FOR 1 5/8" (41 MM) WIDTH SERIES CHANNEL

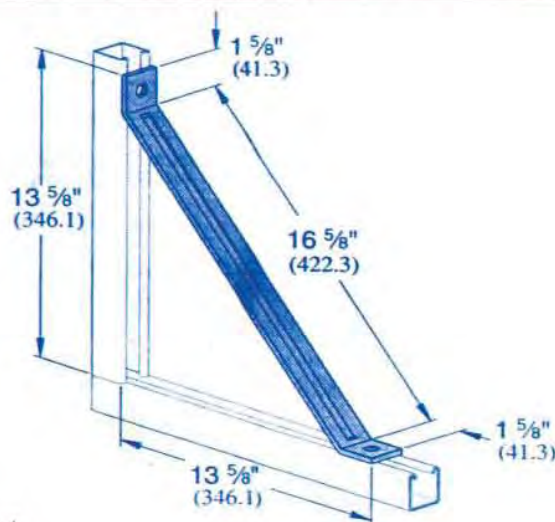
BF41 - D



Part Number	"A" Dimension		Weight/C		Vertical Channel		Uniform Design Load	
	In	mm	Lbs	kg	Part No.	Gage	Lbs	kN
12	304.8	502	227.7			12	2000	8.9
						14	1400	6.2
						16	1000	4.4
18	457.2	692	313.9			12	1300	5.8
						14	900	4.0
						16	650	2.9
24	609.6	882	400.1			12	1000	4.4
						14	700	3.1
						16	500	2.2
30	762.0	1072	486.3			12	800	3.6
						14	560	2.5
						16	400	1.8
36	914.4	1262	572.4			12	650	2.9
						14	450	2.0
						16	320	1.4



Part Number	"A" Dimension		Weight/C	
	In	mm	Lbs	kg
18	457.2	116	52.6	
24	609.6	149	67.6	
30	762.0	181	82.1	
36	914.4	214	97.1	

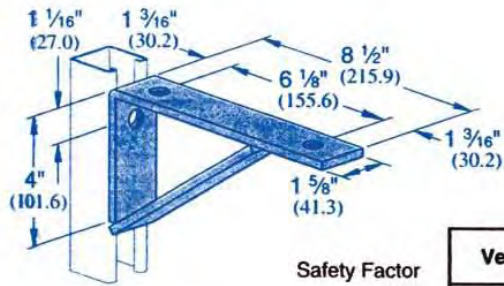


WVC 277 Lbs (125.6 kg)

BRACKETS FITTING FOR 1 5/8" (41 MM) WIDTH SERIES CHANNEL



BF41 -154



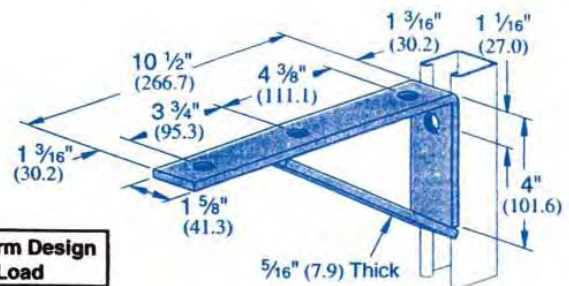
Safety Factor
2 1/2

Material: 1/4" (6.4) thick steel.

W/C 174 Lbs (78.9 kg)

Vertical Channel		Uniform Design Load	
Part No.	Gage	Lbs	kN
	12	800	3.6
	14	600	2.7
	16	400	1.8

BF41 -155

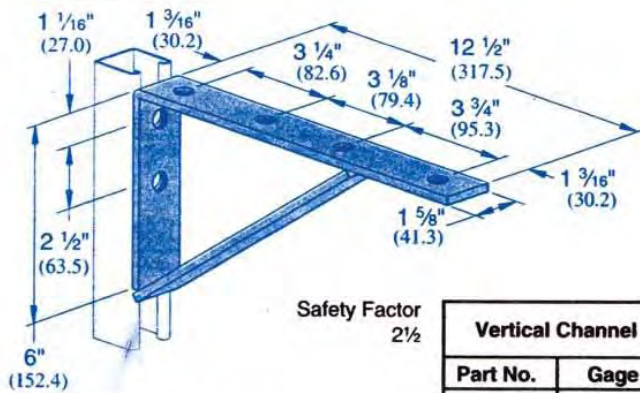


5/16" (7.9) Thick

Material: 1/4" (6.4) thick steel.

W/C 206 Lbs (93.4 kg)

BF41 -156



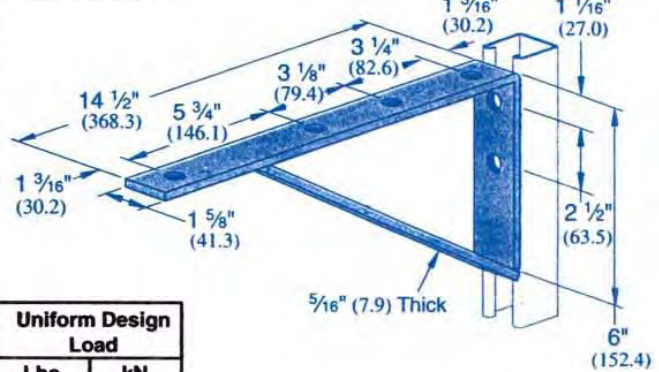
Safety Factor
2 1/2

Material: 1/4" (6.4) thick steel.

W/C 264 Lbs (119.7 kg)

Vertical Channel		Uniform Design Load	
Part No.	Gage	Lbs	kN
	12	900	4.0
	14	800	3.6
	16	450	2.0

BF41 -157

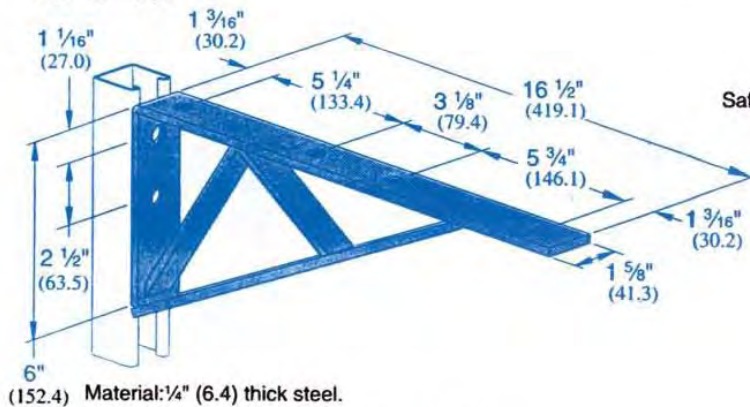


5/16" (7.9) Thick

Material: 1/4" (6.4) thick steel.

W/C 295 Lbs (133.8 kg)

BF41 -158



Safety Factor
2 1/2

Material: 1/4" (6.4) thick steel.

W/C 385 Lbs (174.6 kg)

LOAD CHART

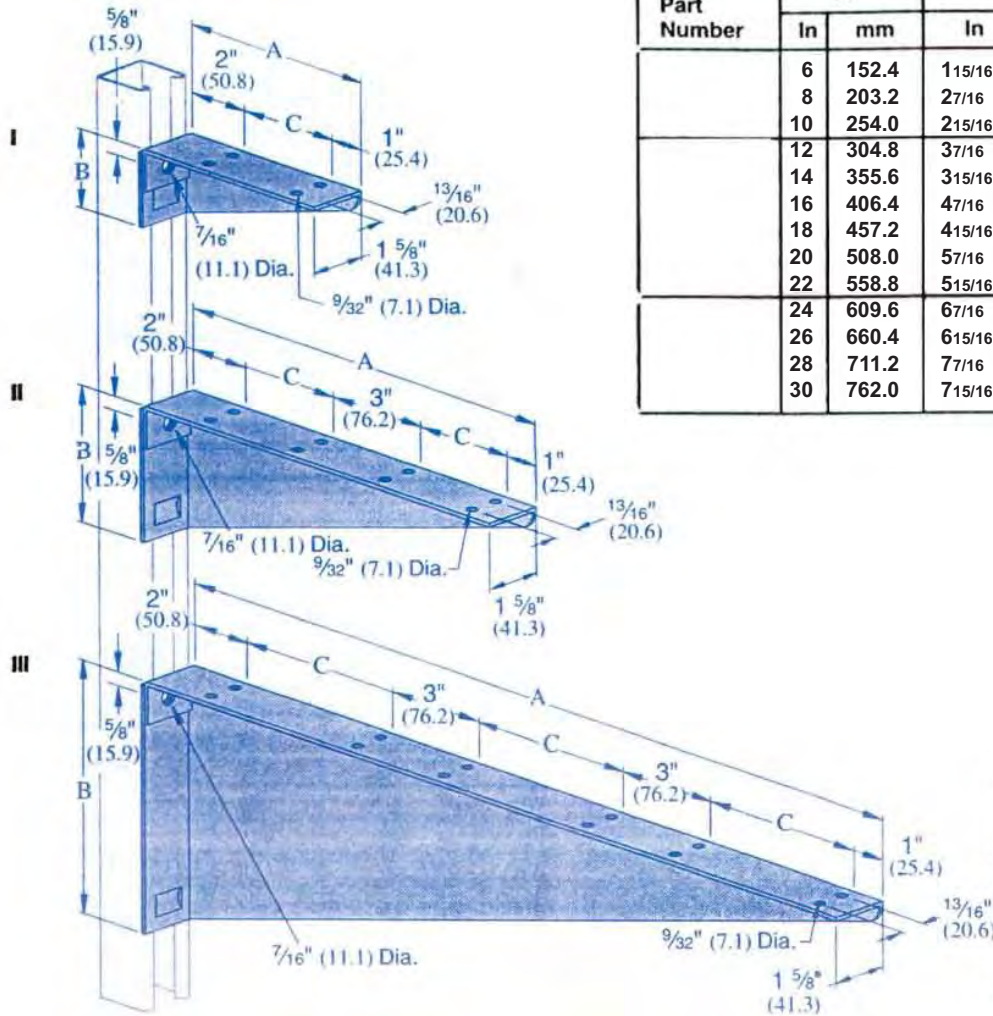
Vertical Channel		Uniform Design Load	
Part No.	Gage	Lbs	kN
	12	1200	5.3
	14	900	4.0
	16	600	2.7



BRACKETS

FOR 1 5/8" (41 MM) WIDTH SERIES CHANNEL

BF41 -151

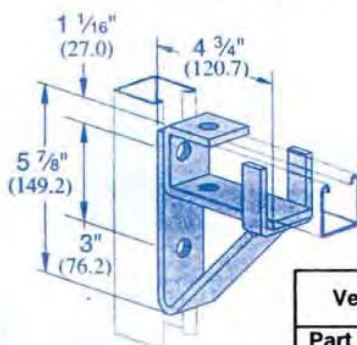


Part Number	A		B		C		Weight/C	
	In	mm	In	mm	In	mm	Lbs	kg
6	152.4	115/16	49.2	3	76.2	67	30.4	
8	203.2	27/16	61.9	5	127.0	92	41.7	
10	254.0	215/16	74.6	7	177.8	120	54.4	
12	304.8	37/16	87.3	3	76.2	152	68.9	
14	355.6	315/16	100.0	4	101.6	173	78.5	
16	406.4	47/16	112.7	5	127.0	223	101.2	
18	457.2	415/16	125.4	6	152.4	266	120.7	
20	508.0	57/16	138.1	7	177.8	308	139.7	
22	558.8	515/16	150.8	8	203.2	355	161.0	
24	609.6	67/16	163.5	5	127.0	400	181.4	
26	660.4	615/16	176.2	5 11/16	144.5	445	201.8	
28	711.2	77/16	188.9	6 5/16	160.3	493	223.6	
30	762.0	715/16	201.6	7	177.8	545	247.2	

Vertical Channel		Uniform Design Load	
Part No.	Gage	Lbs	kN
	12	300	1.3
	14	250	1.1
	16	200	0.9

Safety Factor - 2 1/2

BF41 -152



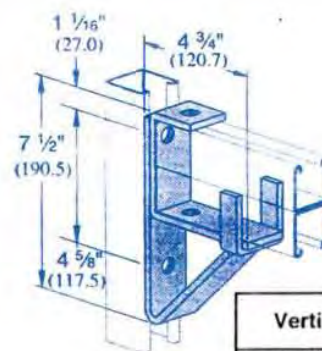
Material: 1/4" (6.4) thick steel.

W/C 229 Lbs (103.9 kg)

Vertical Channel		Allowable Moment*	
Part No.	Gage	In-Lbs	N*m
	12	5100	576
	14	4400	500
	16	3200	360

Safety Factor - 2 1/2

BF41 -153



Material: 1/4" (6.4) thick steel.

W/C 272 Lbs (123.4 kg)

Vertical Channel		Allowable Moment*	
Part No.	Gage	In-Lbs	N*m
	12	13000	1470
	14	9100	1030
	16	6500	730

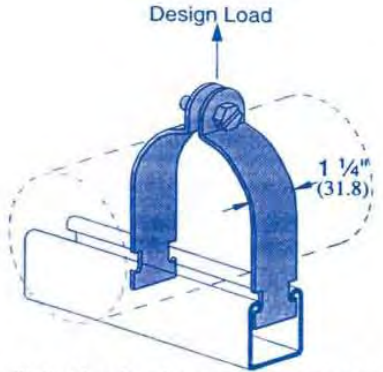
Safety Factor - 2 1/2

PIPE / CONDUIT CLAMPS

FOR 1 5/8" (41 MM) WIDTH SERIES CHANNEL



PIPE CLAMPS FOR RIGID STEEL CONDUIT

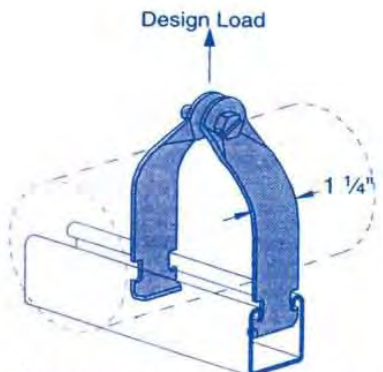


Slotted hex head screw and nut included.

Finish: Electro-galvanized.
Finish: Hot Dip Galvanized

Part Number	Pipe Size	O.D. Size		Thickness		Weight/C		Design Load	
	In	In	mm	Gage	mm	Lbs	kg	Lbs	kN
	3/8	.675	17.1	16	1.5	10	4.5	400	1.8
	1/2	.840	21.3	16	1.5	11	5.0	400	1.8
	3/4	1.050	26.7	14	1.9	15	6.8	600	2.7
	1	1.315	33.4	14	1.9	17	7.7	600	2.7
	1 1/4	1.660	42.2	14	1.9	19	8.6	600	2.7
	P1115	1 1/2	1.900	48.3	12	2.7	29	13.2	800
	2	2.375	60.3	12	2.7	34	15.4	800	3.6
	2 1/2	2.875	73.0	12	2.7	40	18.1	800	3.6
	3	3.500	88.9	12	2.7	47	21.3	800	3.6
	3 1/2	4.000	101.6	11	3.0	62	28.1	1000	4.4
	4	4.500	114.3	11	3.0	67	30.4	1000	4.4
	5	5.563	141.3	11	3.0	80	36.3	1000	4.4
	6	6.625	168.3	10	3.4	102	46.3	1000	4.4
	8	8.625	219.1	10	3.4	130	59.0	1000	4.4

UNIVERSAL CLAMPS FOR RIGID OR THINWALL CONDUIT

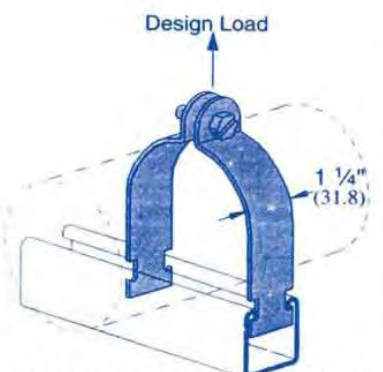


Slotted hex head screw and nut included.

Finish: Electro-galvanized.
Finish: Hot Dip Galvanized

Part Number	Pipe/Conduit Size	Thickness		Weight/C		Design Load	
	In	Gage	mm	Lbs	kg	Lbs	kN
	1/2	16	1.5	10	4.5	400	1.8
	3/4	16	1.5	11	5.0	400	1.8
	1	16	1.5	12	5.4	400	1.8
	1 1/4	14	1.9	18	8.2	600	2.7
	1 1/2	14	1.9	20	9.1	600	2.7
	2	14	1.9	22	10.0	600	2.7

PIPE CLAMPS FOR THIN WALL CONDUIT (E.M.T.)



Slotted hex head screw and nut included.

Finish: Electro-galvanized.
Finish: Hot Dip Galvanized

Part Number	Pipe Size	O.D. Size		Thickness		Weight/C		Design Load	
	In	In	mm	Gage	mm	Lbs	kg	Lbs	kN
	3/8	.577	14.7	16	1.5	9	4.1	400	1.8
	1/2	.706	17.9	16	1.5	11	5.0	400	1.8
	3/4	.922	23.4	16	1.5	12	5.4	400	1.8
	1	1.163	29.5	14	1.9	15	6.8	600	2.7
	1 1/4	1.510	38.4	14	1.9	18	8.2	600	2.7
	1 1/2	1.740	44.2	12	2.7	29	13.2	800	3.6
	2	2.197	55.8	12	2.7	33	15.0	800	3.6
	2 1/2	2.875	73.0	12	2.7	40	18.1	800	3.6
	3	3.500	88.9	12	2.7	47	21.3	800	3.6
	3 1/2	4.000	101.6	11	3.0	62	28.1	1000	4.4
	4	4.500	114.3	11	3.0	67	30.4	1000	4.4