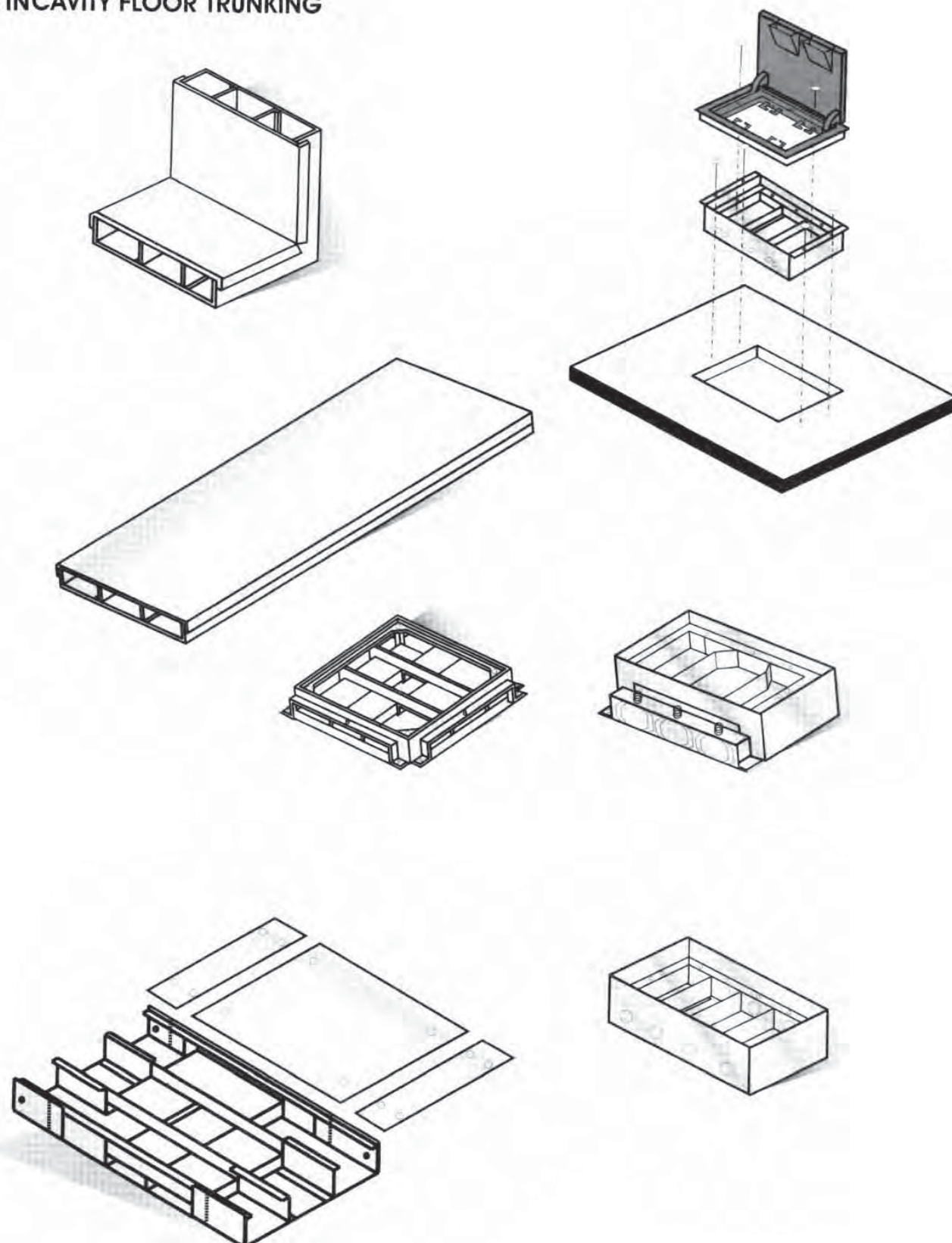
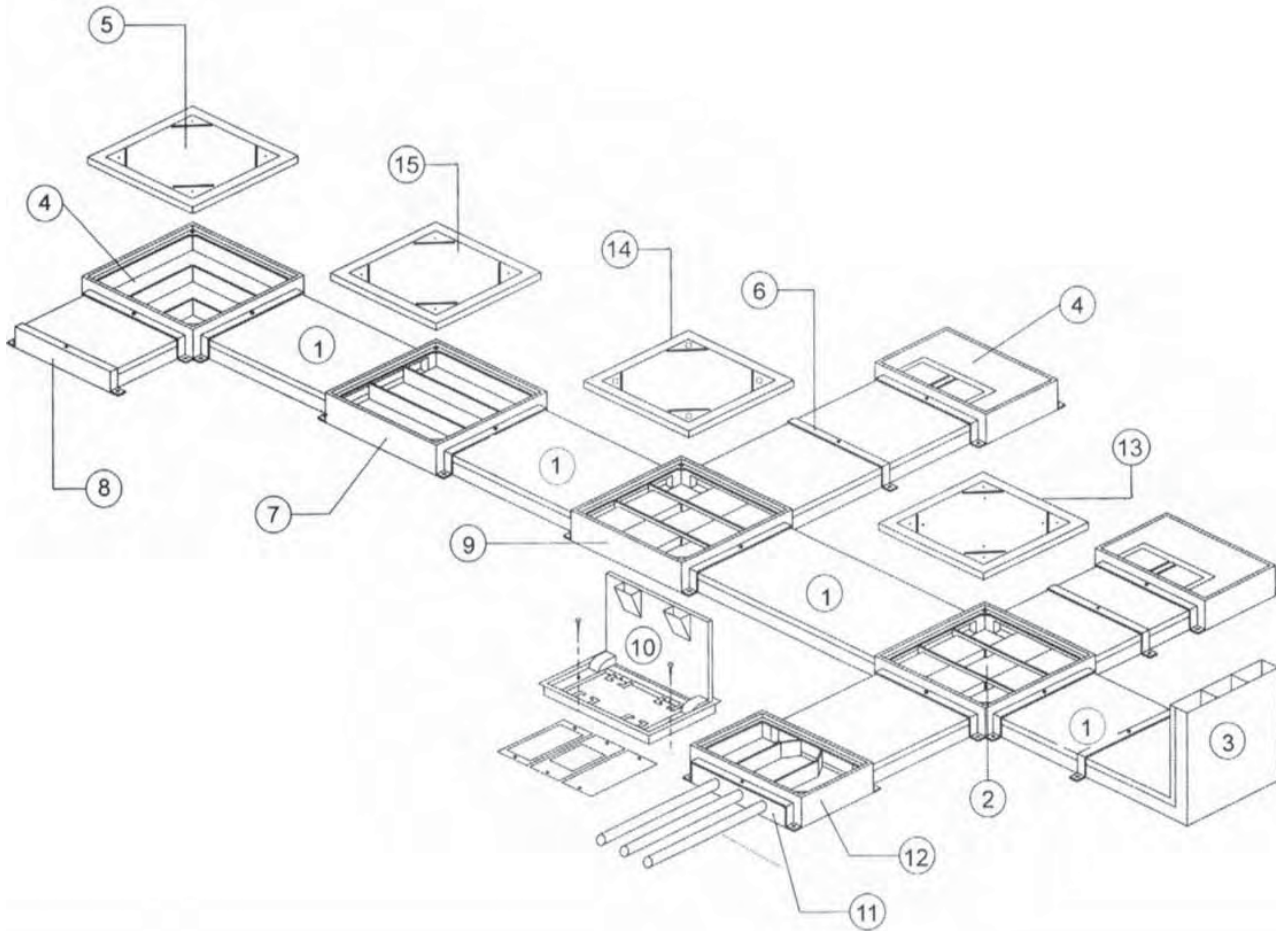


- 1- UNDER FLOOR TRUNKING
- 2- FLUSH FLOOR TRUNKING
- 3- INCAVITY FLOOR TRUNKING



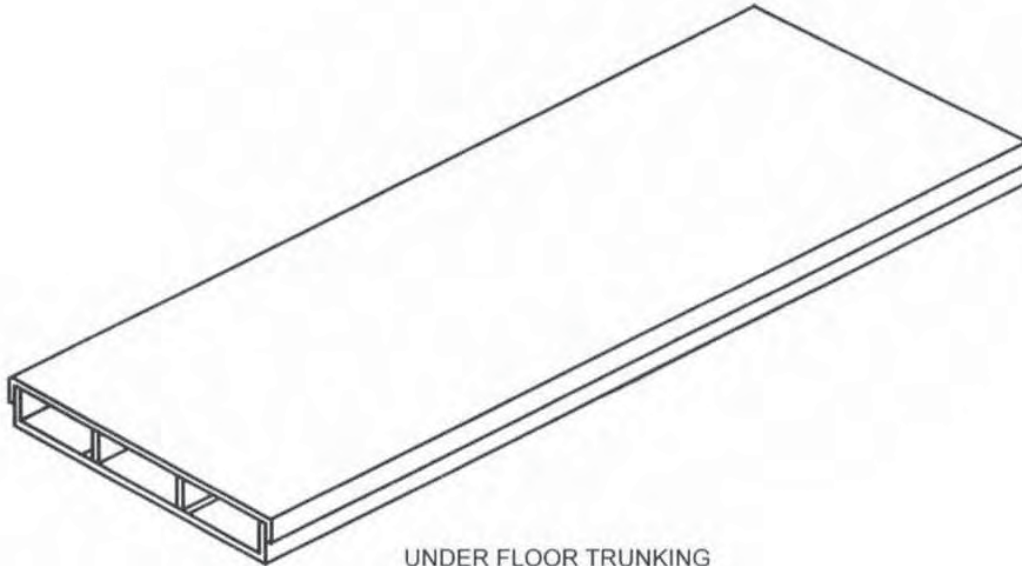
PRODUCT - RANGE UNDER FLOOR TRUNCKING



NO	CODE	PRODUCT	NO	CODE	PRODUCT
1	UFT-1	METAL TRUNKING	8	SE-8	STOP END
2	4WJB-2	4-WAY JUNCTION BOX	9	3WJB-9	3-WAY JUNCTION BOX
3	90RB3	90° RISER BEND	10	HLA-10	HINGED LID ASSEMBLY
4	90JB-4	90° ANGLE JUNCTION BOX	11	CC-11	CONDUIT CONNECTOR
5	JBC-5	JUNCTION BOX COVER	12	SOB-12	SERVICE OUTLET BOX
6	JFC-6	JOINT/FIX CONNECTOR	13	SOBW-13	SERVICE OUTLET BOX W/COVER
7	2WJB-7	2-WAY JUNCTION BOX	14	3W JBC 14	3-Way Junction Box Cover
			15	2W JBC 15	3-Way Junction Box Cover

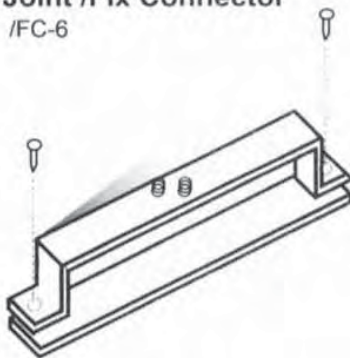


UNDER FLOOR TRUNCKING

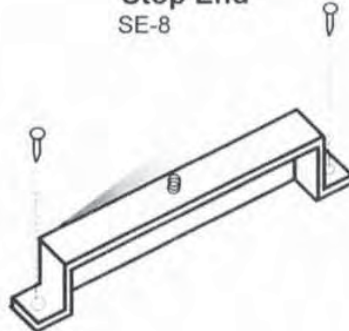


UNDER FLOOR TRUNCKING
UFT-1

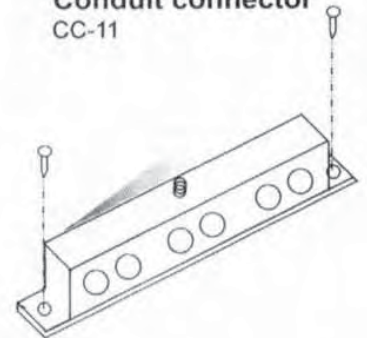
Joint /Fix Connector
/FC-6



Stop End
SE-8



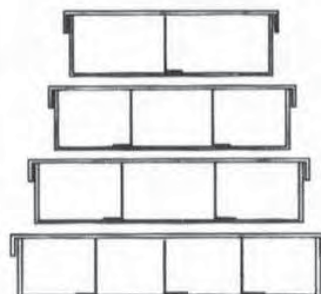
Conduit connector
CC-11



Trunking

Width mm	Height mm	Part No.
150	28 38	UFT / 150 / 2C
225	28 38	UFT / 225 / 3C
325	28 38	UFT / 325 / 3C
406	28 38	UFT / 406 / 4C

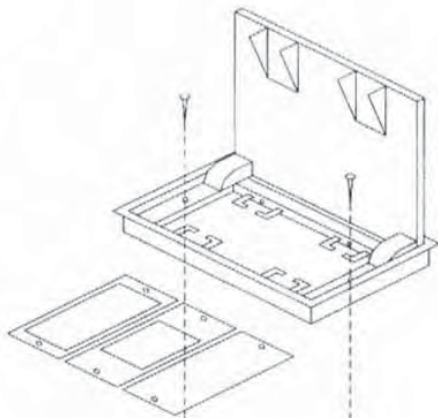
Section



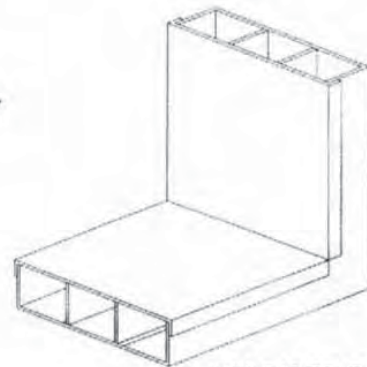
Compartments

No.	Width			
	1st	2nd	3rd	4th
2C	75	75	■	■
3C	75	75	75	■
3C	110	105	110	■
4C	102	101	101	102

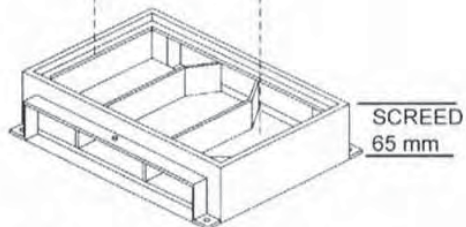
ACCESSORIES UNDER FLOOR TRUNCKING



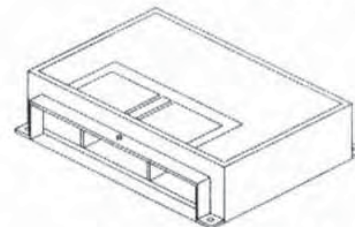
HINGED LID ASSEMBLY
CODE: HLA -10



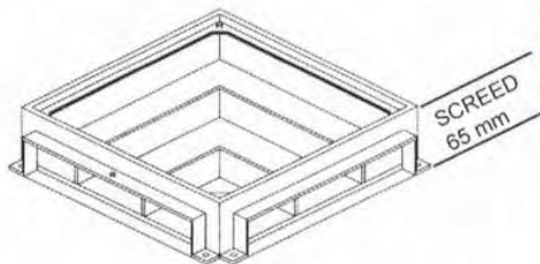
90° RISER BEND
CODE: 90RB -3



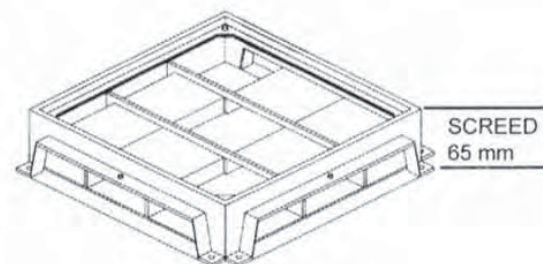
SERVICE OUTLET BOX
CODE: SOB-12



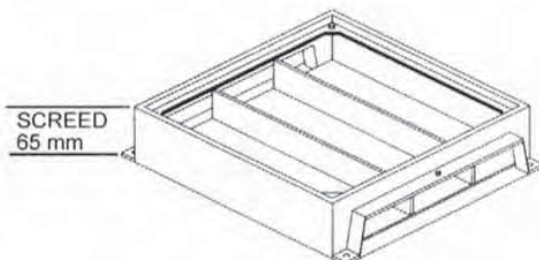
SERVICE OUTLET BOX
WITH COVER
CODE: SOBW-13



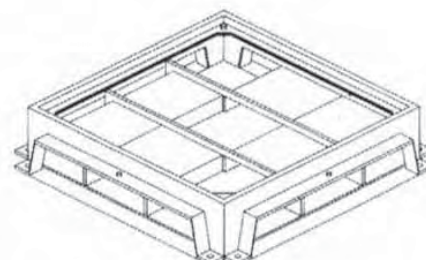
90° ANGLE JUNCTION BOX
CODE: 90JB-4



3-WAY JUNCTION BOX
CODE: JB-9



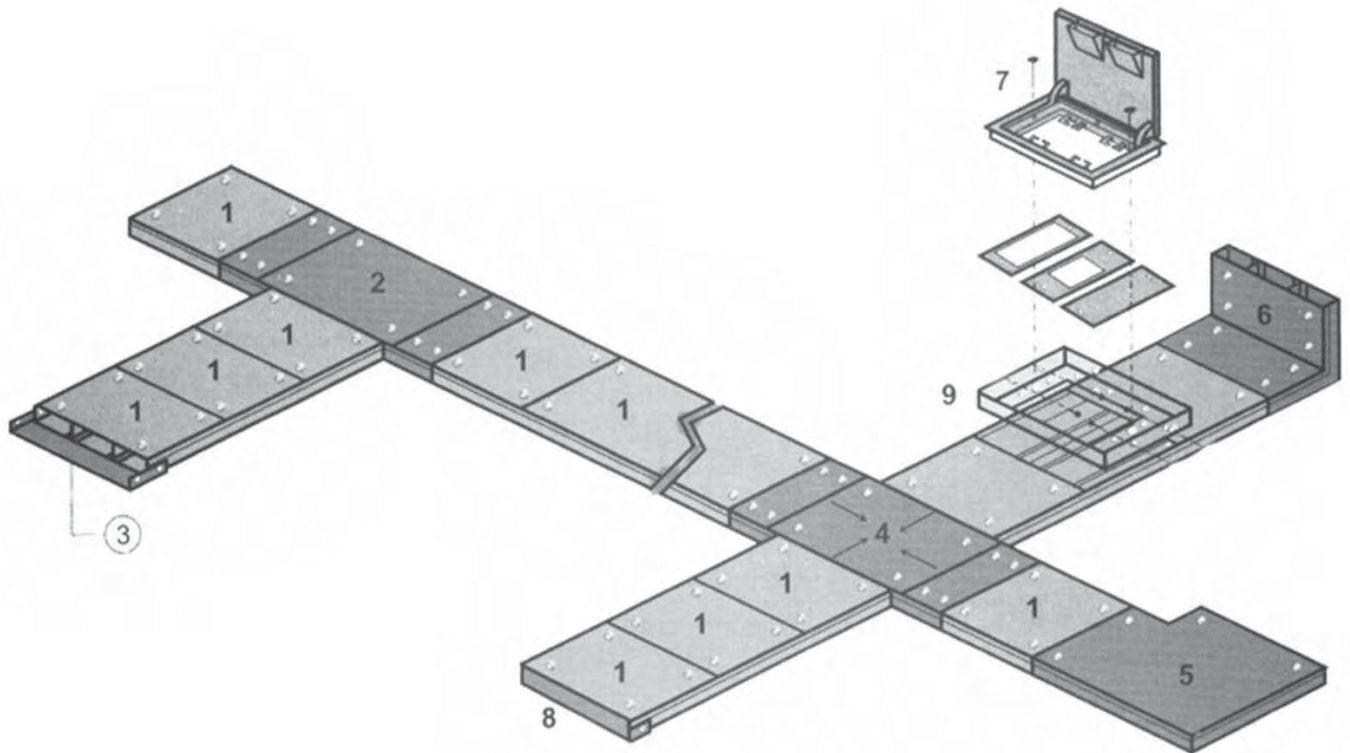
2-WAY JUNCTION BOX
CODE: 2WJB -7



4-WAY JUNCTION BOX
CODE: 4WJB -2



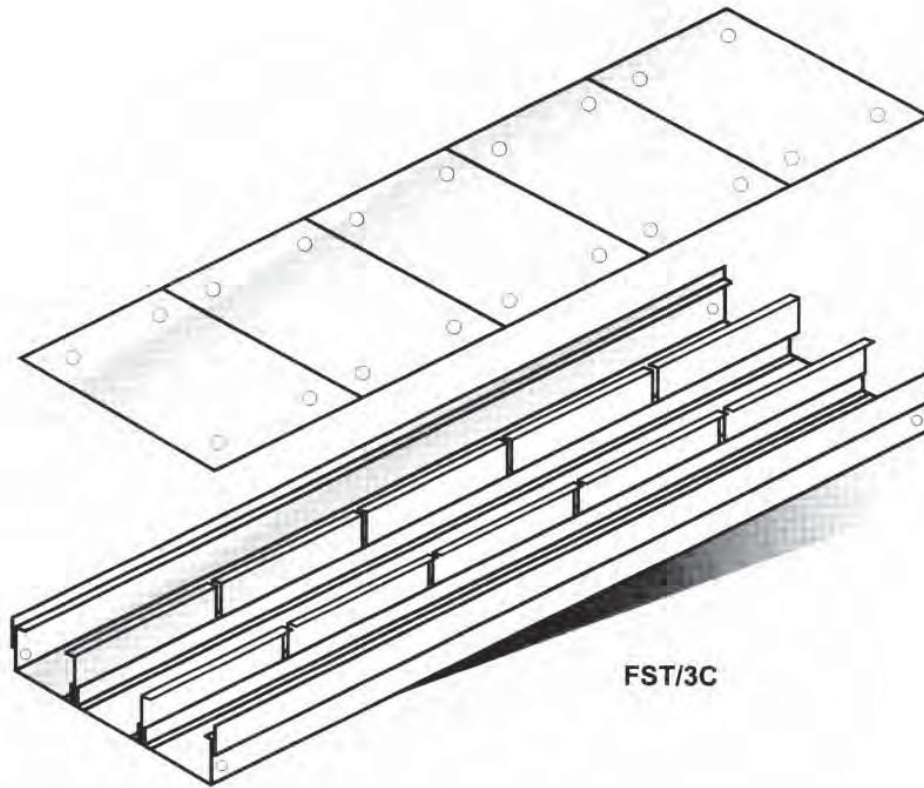
PRODUCT RANGE FLUSH FLOOR TRUNCKING



No.	Part No.	PRODUCT
1	FST-30	Metal Trunking
2	3WJB-4	3 Way Junction Box
3	J/FC-2	Joint/fix Connector
4	4WJB-5	4 Way Junction Box
5	90°A-3	90 Deg. Angle

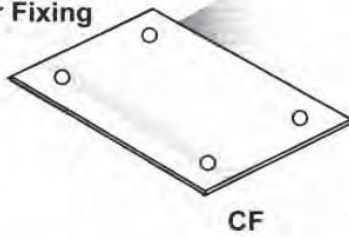
No.	Part No.	PRODUCT
6	90°RB-6	90 Deg. Riser Bend
7	HLA-7	Hinged Lid Assembly
8	SE-8	Stop End
9	GJ-9	Grid Kit

FLUSH FLOOR TRUNCKING



FST/3C

Cover Fixing



CF

1. Trunking

Width mm	Height mm	Part No.
280	65	FST / 280 / 2C
325	65	FST / 325 / 3C
406	65	FST / 406 / 3C
406	65	FST / 406 / 4C

Section



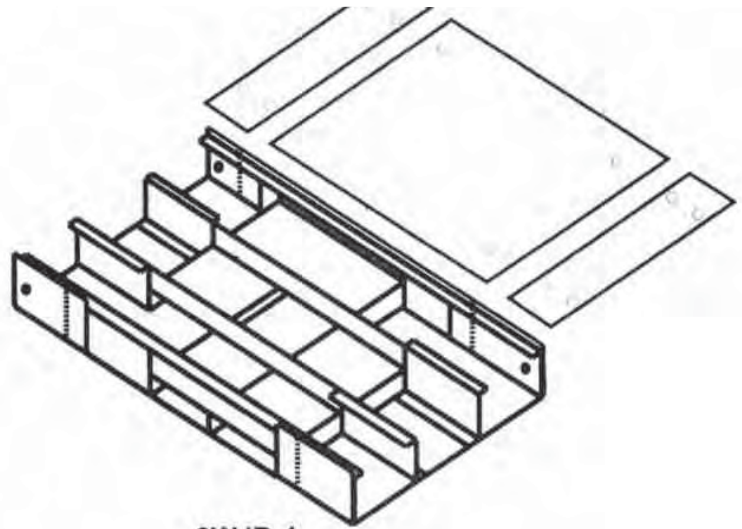
Compartments

No.	Sizes			
	1st	2nd	3rd	4th
2	140	140	-	-
3	110	105	110	-
3	147	112	147	-
4	102	101	101	102



ACCESSORIES FLUSH FLOOR TRUNCKING

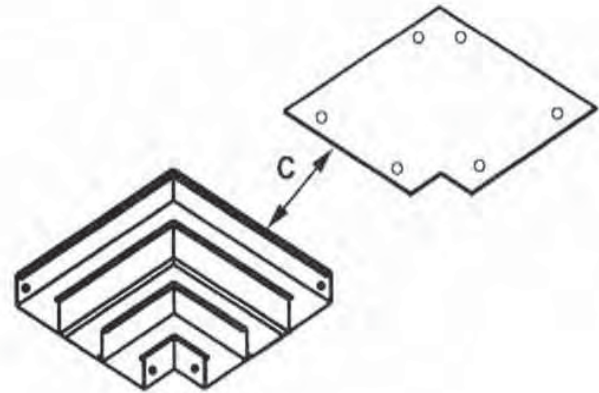
Width mm	Height mm	Part No.
280	65	FSTT / 280 / 2C
325	65	FSTT / 325 / 3C
406	65	FSTT / 406 / 4C
406	65	FSTT / 406 / 4C



3WJB-4

2. 90 Deg. Angle

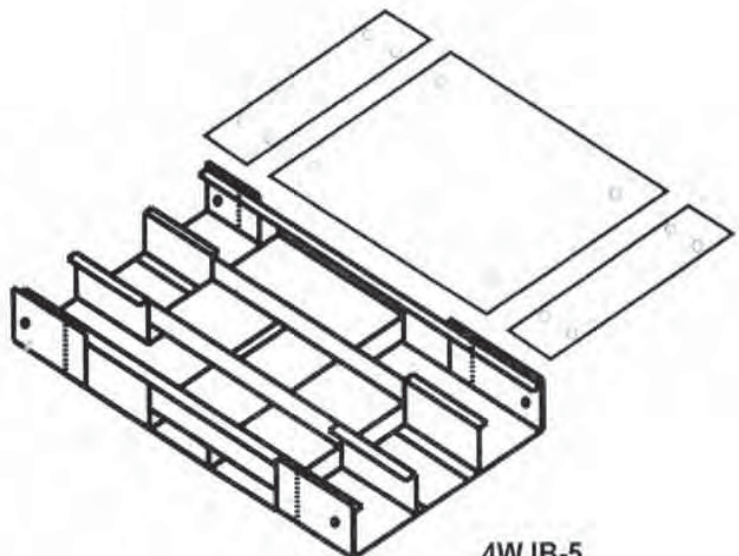
Width mm	Height mm	Part No.
280	65	FSTB / 280 / 2C
325	65	FSTB / 325 / 3C
406	65	FSTB / 406 / 4C
406	65	FSTB / 406 / 4C



90°A-3-4

3. 4 Way Cross

Width mm	Height mm	Part No.
280	65	FSTC / 280 / 2C
325	65	FSTC / 325 / 3C
406	65	FSTC / 406 / 4C
406	65	FSTC / 406 / 4C



4WJB-5

ACCESSORIES

FLUSH SYSTEM WITH SCREED 65*75 AND 85 MM



D. Flush Screed Trunking

SCREED 65MM - FST / 325 / 3C

SCREED 75MM - FST / 325 / 3C

SCREED 85MM - FST / 325 / 3C

E. Tee

SCREED 65MM - FSTT / 325 / 3C

SCREED 75MM - FSTT / 325 / 3C

SCREED 85MM - FSTT / 325 / 3C

S. 4 Way Cross

SCREED 65MM - FSTC / 325 / 3C

SCREED 75MM - FSTC / 325 / 3C

SCREED 85MM - FSTC / 325 / 3C

A. 90 Deg. Angle

SCREED 65MM - FSTB / 325 / 3C

SCREED 75MM - FSTB / 325 / 3C

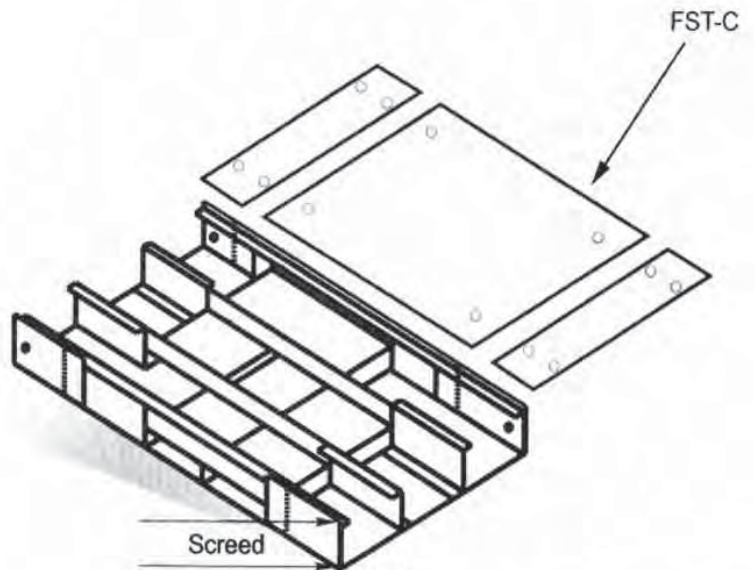
SCREED 85MM - FSTB / 325 / 3C

M. Riser Bend

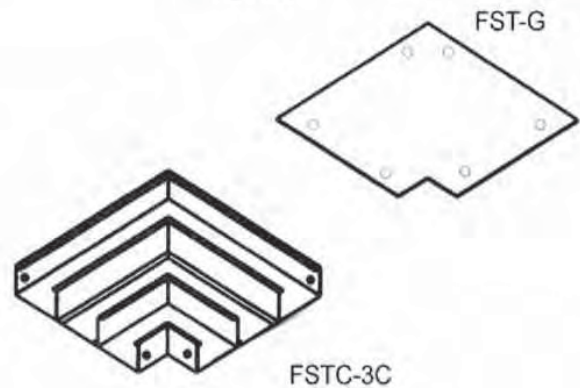
SCREED 65MM - FSTRB / 325 / 3C

SCREED 75MM - FSTRB / 325 / 3C

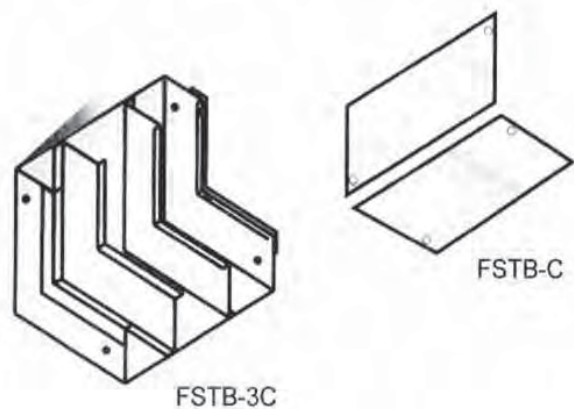
SCREED 85MM - FSTRB / 325 / 3C



FST-3C



FSTC-3C



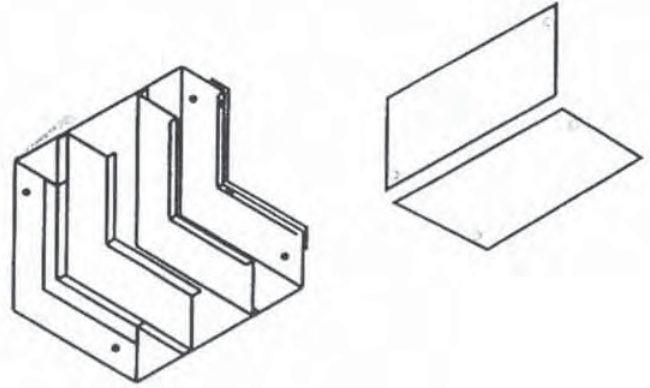
FSTB-3C



ACCESSORIES FLUSH FLOOR TRUNCKING

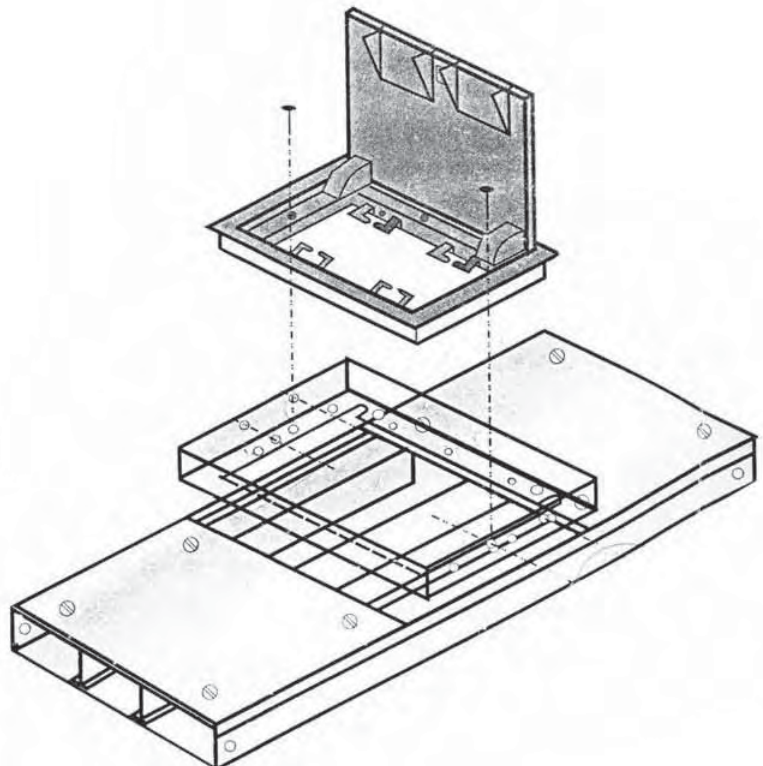
4. Riser Bend

Width mm	Height mm	Part No.
280	65	FSTRB / 280 / 2C
325	65	FSTRB / 325 / 3C
406	65	FSTRB / 406 / 3C
406	65	FSTRB / 406 / 4C

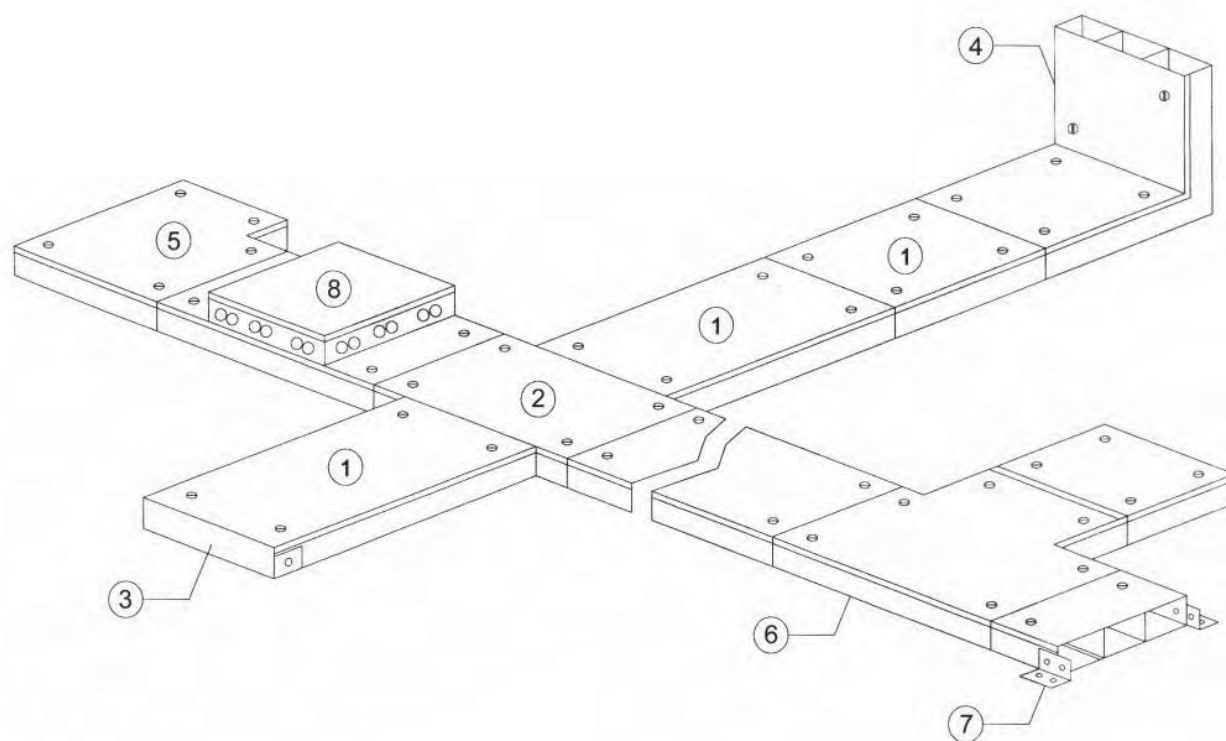


Service Outlet Installation

Width mm	Height mm	Part No.
280	65	SOI / 280 / 2C
325	65	SOI / 325 / 3C
406	65	SOI / 406 / 3C
406	65	SOI / 406 / 4C



PRODUCT - RANGE IN-CAVITY TRUNCKING

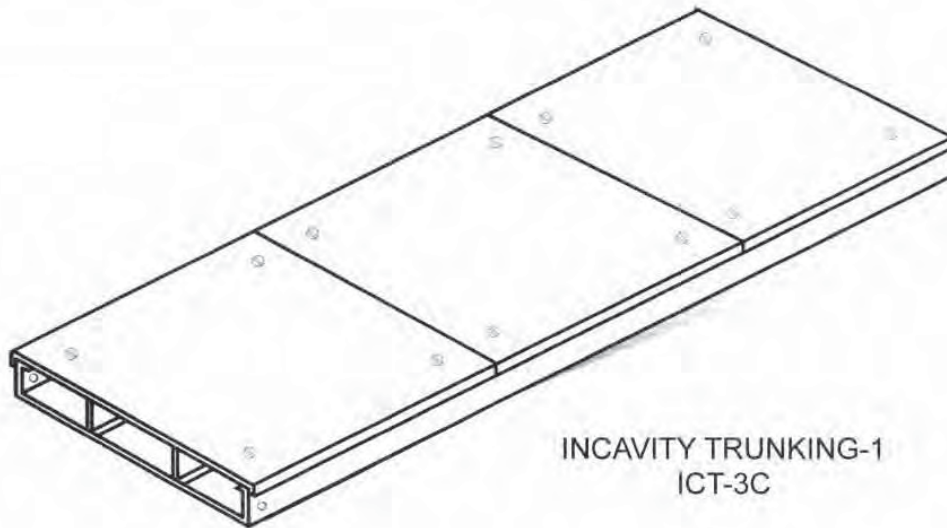


- | | | | |
|---|--------------------|---|--------------------|
| 1 | METAL TRUNCKING | 5 | 90° ANGLE |
| 2 | 4-WAY JUNCTION BOX | 6 | 3-WAY JUNCTION BOX |
| 3 | STOP END | 7 | CONNECTOR |
| 4 | 90° RISER BEND | 8 | TAP-OFF UNIT |



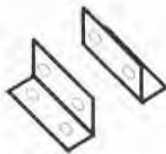
IN-CAVITY FLOOR TRUNCKING

Our trunking system is designed to provide a solution for laying cables in most types of floor voids. The system is light weight, quick assembly and sits on the subfloor in void under the raised access floor. Our systems ensure maximum flexibility and convenience for the end user.

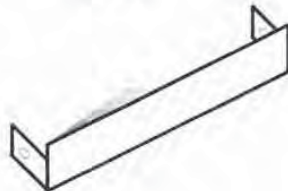


INCAVITY TRUNKING-1
ICT-3C

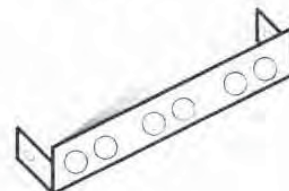
Joint /Fix Connector
JFC-6



Stop End
SE-8



Conduit connector
CC-11



Trunking

Width mm	Height mm	Part No.
280	60	ICT / 280 / 2C
325	60	ICT / 325 / 3C
365	60	ICT / 365 / 3C
406	60	ICT / 406 / 4C

Section

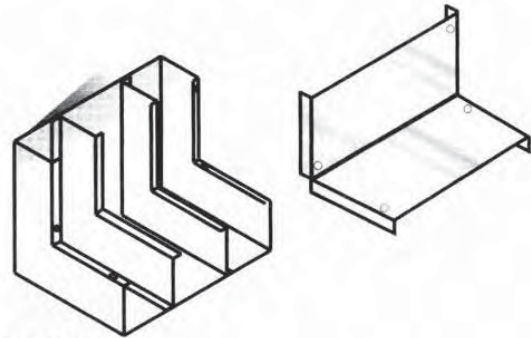


Compartments

No.	Width			
	1st	2nd	3rd	4th
2	140	140	■	■
3	110	105	110	■
3	122	121	122	■
4	102	101	101	102

Riser Bend

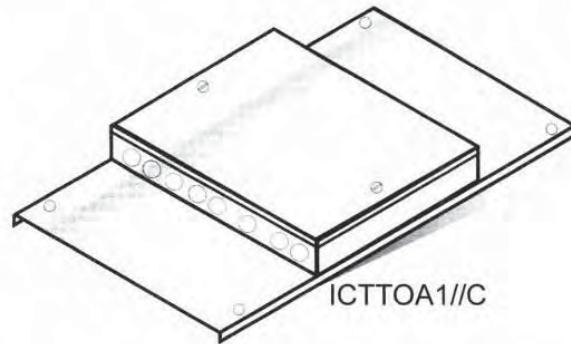
Width mm	Height mm	Part No.
280	60	ICTRB / 280 / 2C
325	60	ICTRB / 325 / 3C
365	60	ICTRB / 365 / 3C
406	60	ICTRB / 406 / 4C



ICTTB3253/C

Tap Off Unit Type -A

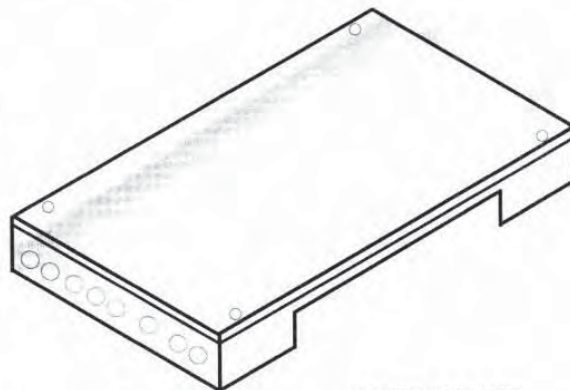
Width mm	Height mm	Part No.
280	60	ICTTOA / 280 / 2C
325	60	ICTTOA / 325 / 3C
365	60	ICT TOA / 365 / 3C
406	60	ICTTOA / 406 / 4C



ICTTOA1//C

Tap Off Unit Type -B

Width mm	Height mm	Part No.
280	60	ICTTOB / 280 / 2C
325	60	ICTTOB / 325 / 3C
365	60	ICT TOB / 365 / 3C
406	60	ICTTOB / 406 / 4C



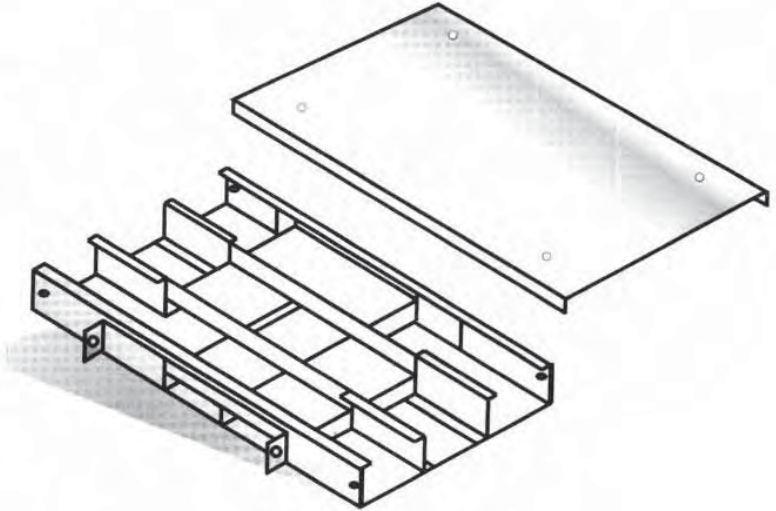
ICTTOB23/C



ACCESSORIES IN-CAVITY TRUNCKING

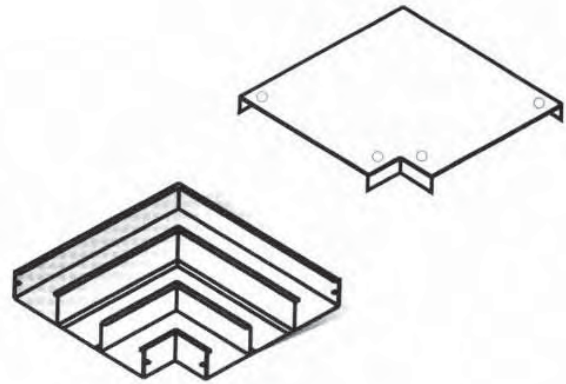
Tee

Width mm	Height mm	Part No.
280	60	ICTT / 280 / 2C
325	60	ICTT / 325 / 3C
365	60	ICTT / 365 / 3C
406	60	ICTT / 406 / 4C



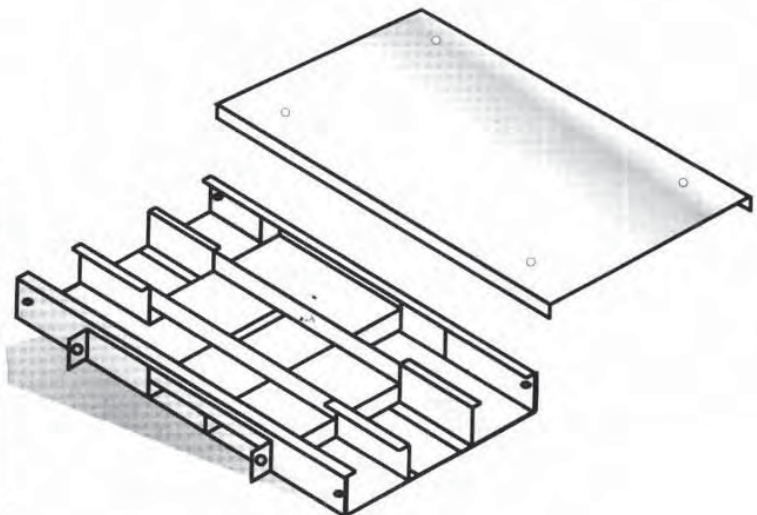
90 Deg. Angle

Width mm	Height mm	Part No.
280	60	ICTA / 280 / 2C
325	60	ICTA / 325 / 3C
365	60	ICTA / 365 / 3C
406	60	ICTA / 406 / 4C

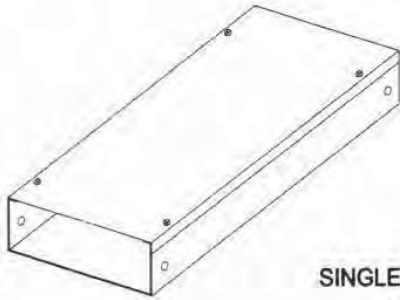


4 Way Cross

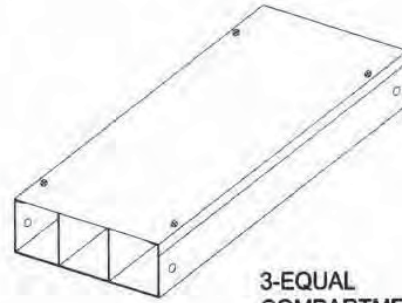
Width mm	Height mm	Part No.
280	60	ICTC / 280 / 2C
325	60	ICTC / 325 / 3C
365	60	ICTC / 365 / 3C
406	60	ICTC / 406 / 4C



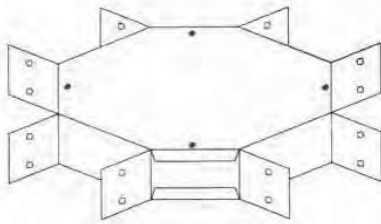
CABLE TRUNKING / WIREWAY OVER FLOOR TRUNCKING ACCESSORIES



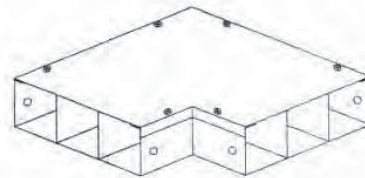
SINGLE COMPARTMENT
OSL-1



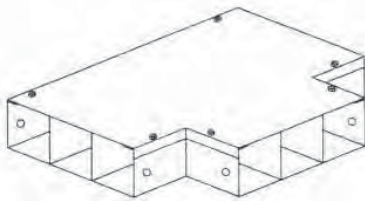
3-EQUAL
COMPARTMENT - OSL 3



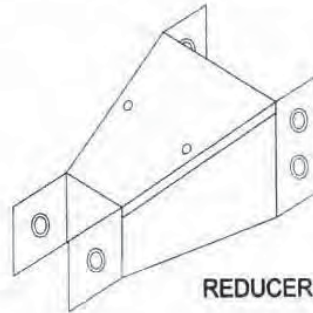
HORIZONTAL CROSS (CH)



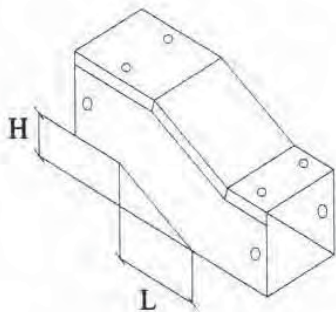
3-COMPARTMENTS 90° BEND
COVER ON TOP - 90 BH



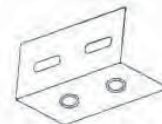
3-COMPARTMENTS Tee PIECES
COVER ON TOP - OTH



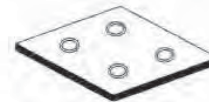
REDUCER - OOR



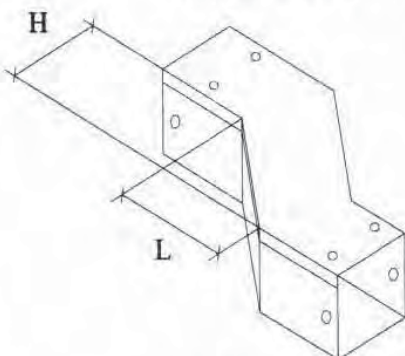
VERTICAL OFFSET - OVO



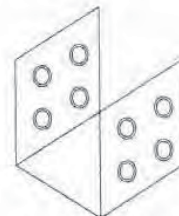
ANGLE CONNECTOR - SCS



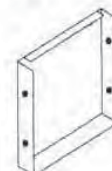
FISH PLATE CONNECTOR



HORIZONTAL OFFSET - OCH



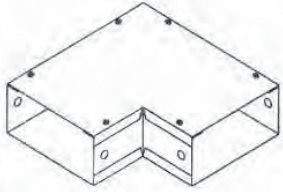
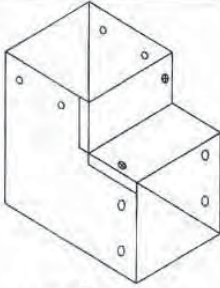
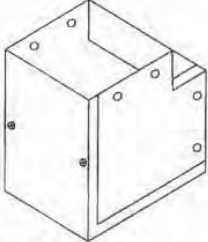
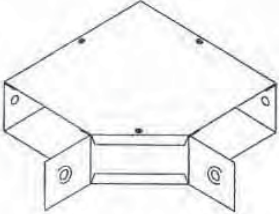
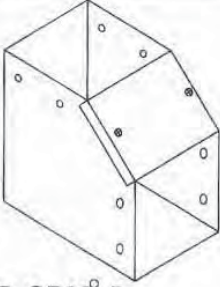
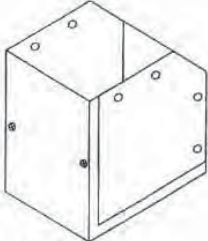
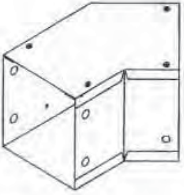
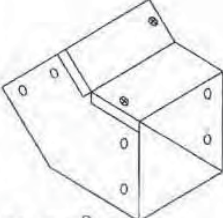
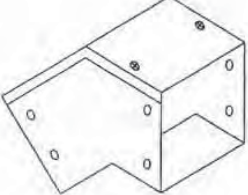
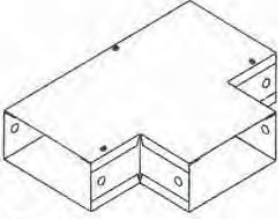
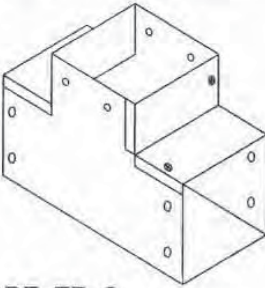
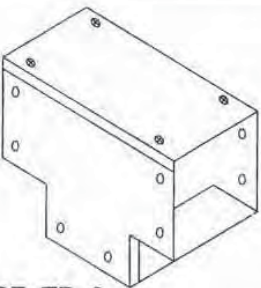
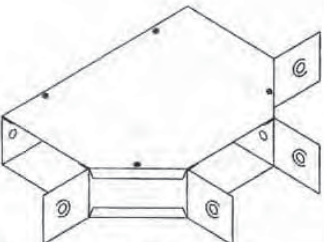
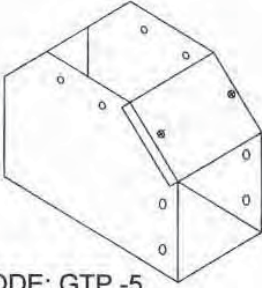
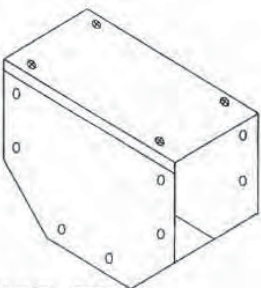
U-CONNECTOR - OUC



END CAP - OEC



FITTINGS

	Cover on Top	Cover on Inside	Cover on Outside
90° Bend	 CODE: B90°-1	 CODE: B90°-2	 CODE: B90°-3
90° Gusset Bend	 CODE: GB90°-4	 CODE: GB90°-5	 CODE: GB90°-6
45° Bend	 CODE: B45°-7	 CODE: B45°-8	 CODE: B45°-9
Tee-Piece	 CODE: TP -1	 CODE: TP -2	 CODE: TP -3
Gusset T-Piece	 CODE: GTP -4	 CODE: GTP -5	 CODE: GTP -6