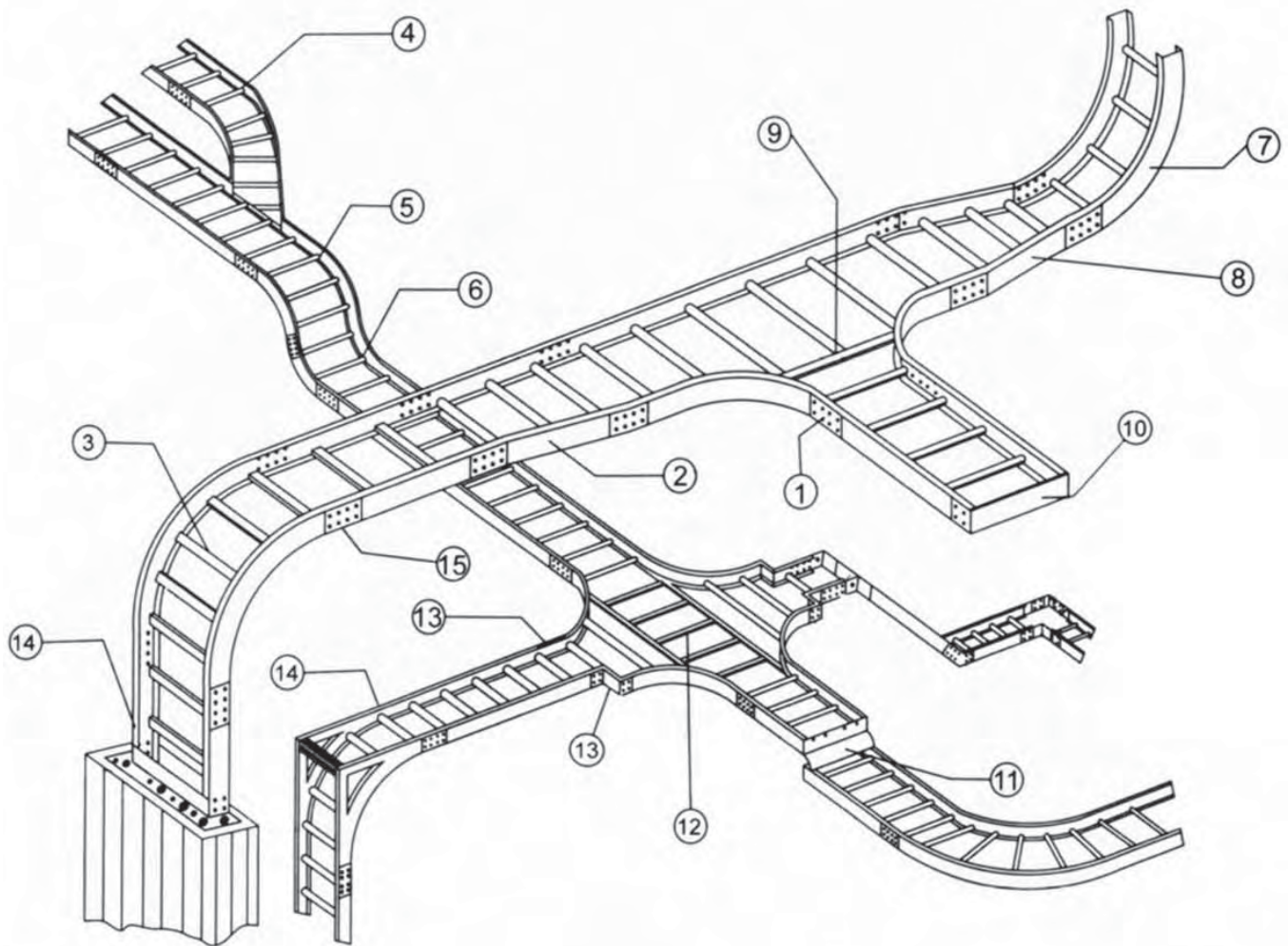




# ELSA LADDERS



# PRODUCT RANGE CABLE LADDER SYSTEM



- 1 - JOINT CONNECTOR
- 2 - RIGHT HAND OFFSET REDUCER
- 3 - OUTSIDE 90° VERTICAL ELBOW
- 4 - 45° HORIZONTAL ELBOW
- 5 - 45° OUTSIDE VERTICAL ELBOW
- 6 - 45° INSIDE VERTICAL ELBOW
- 7 - INSIDE 90° VERTICAL ELBOW

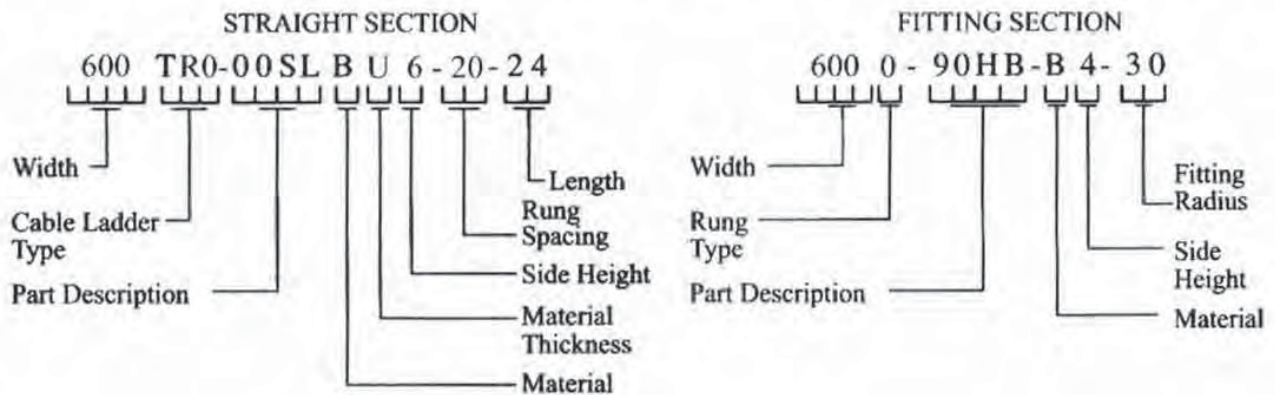
- 8 - REDUCER
- 9 - HORIZONTAL Tee
- 10 - BLIND END PLATE
- 11 - END DROPOUT
- 12 - HORIZONTAL CROSS
- 13 - OFFSET REDUCING CONNECTOR
- 14 - CABLE LADDER
- 15 - STANDARD CONNECTORS

# CABLE LADDER ORDERING CHART



WIDTH (mm)	CABLETRAY LADDER TYPE	RUNG TYPE	PART DESCRIPTION	MATERIAL	SIDE RAIL HEIGHT	RUNG SPACING	LENGTH/RADIUS
150 200 250 300 350 450 500 600 750 900 1000 1200 1500	<b>HEAVY DUTY</b>	<b>HEAVY DUTY</b>	<b>00SL</b> - Straight Length <b>90HB</b> - 90 Deg. Horizontal Bend <b>45HB</b> - 45 Deg. Horizontal Bend <b>90IR</b> - 90 Deg. Inside Riser <b>45IR</b> - 45 Deg. Inside Riser <b>90OR</b> - 90 Deg. Outside Riser <b>45OR</b> - 45 Deg. Outside Riser <b>00TH</b> - Horizontal Tee <b>00CH</b> - Horizontal Cross <b>0RHR</b> - Right Hand Reducer <b>0LHR</b> - Left Hand Reducer <b>00SR</b> - Straight Reducer <b>00LY</b> - Y - Branch Left <b>00RY</b> - Y - Right Branch <b>00SV</b> - Vertical Support Elbow <b>00TV</b> - Vertical Tee	<b>A</b> Mill Galvanized  <b>B</b> HDGAF  <b>C</b> Aluminum  <b>MATERIAL THICKNESS</b>  <b>2</b> 1.20mm  <b>3</b> 1.50mm  <b>4</b> 2.00mm	<b>2</b> 50mm  <b>3</b> 75mm  <b>4</b> 100mm  <b>5</b> 125mm  <b>6</b> 133mm  <b>7</b> 150 mm	<b>15</b> 150mm  <b>20</b> 200mm  <b>25</b> 250mm  <b>30</b> 300mm	<b>24</b> 2.44 meters  <b>30</b> 3 meters  <b>36</b> 3.60 meter  <b>FITTING RADIUS</b>  <b>30</b> 300mm  <b>60</b> 600mm  <b>90</b> 900mm
	<b>TYPE-TC0</b>	<b>U</b> U-Profile Rungs					
	<b>TYPE-TR0</b> With Return Flange	<b>O</b> Round Tubular					
		└─┘					
	<b>MEDIUM TO HEAVY DUTY</b>	<b>MEDIUM TO HEAVY DUTY</b>					
	<b>TYPE-TC1</b>	<b>U</b> U-Profile Rungs					
	<b>TYPE-TR1</b> With Return Flange						
		└─┘					
	<b>LIGHT TO MEDIUM DUTY</b>	<b>LIGHT TO MEDIUM DUTY</b>					
	<b>TYPE-TC2</b>	<b>U</b> U-Profile Rungs					
	<b>TYPE-TR2</b> With Return Flange	<b>R</b> Rectangular Pipe Rungs					
		└─┘					

## CABLE LADDER PART NUMBER SYSTEM





# CABLE LADDER SYSTEM GENERAL INFORMATION

## 1- LIGHT DUTY CABLE LADDER

SIDE RAIL HEIGHT mm	RUNG SPACING mm	RUNG SIZE mm	METAL THICKNESS mm
90	300	25	1.50
105		28	

## 2- MEDIUM DUTY CABLE LADDER

SIDE RAIL HEIGHT mm	RUNG SPACING mm	RUNG SIZE mm	METAL THICKNESS mm
120	250	25	1.50

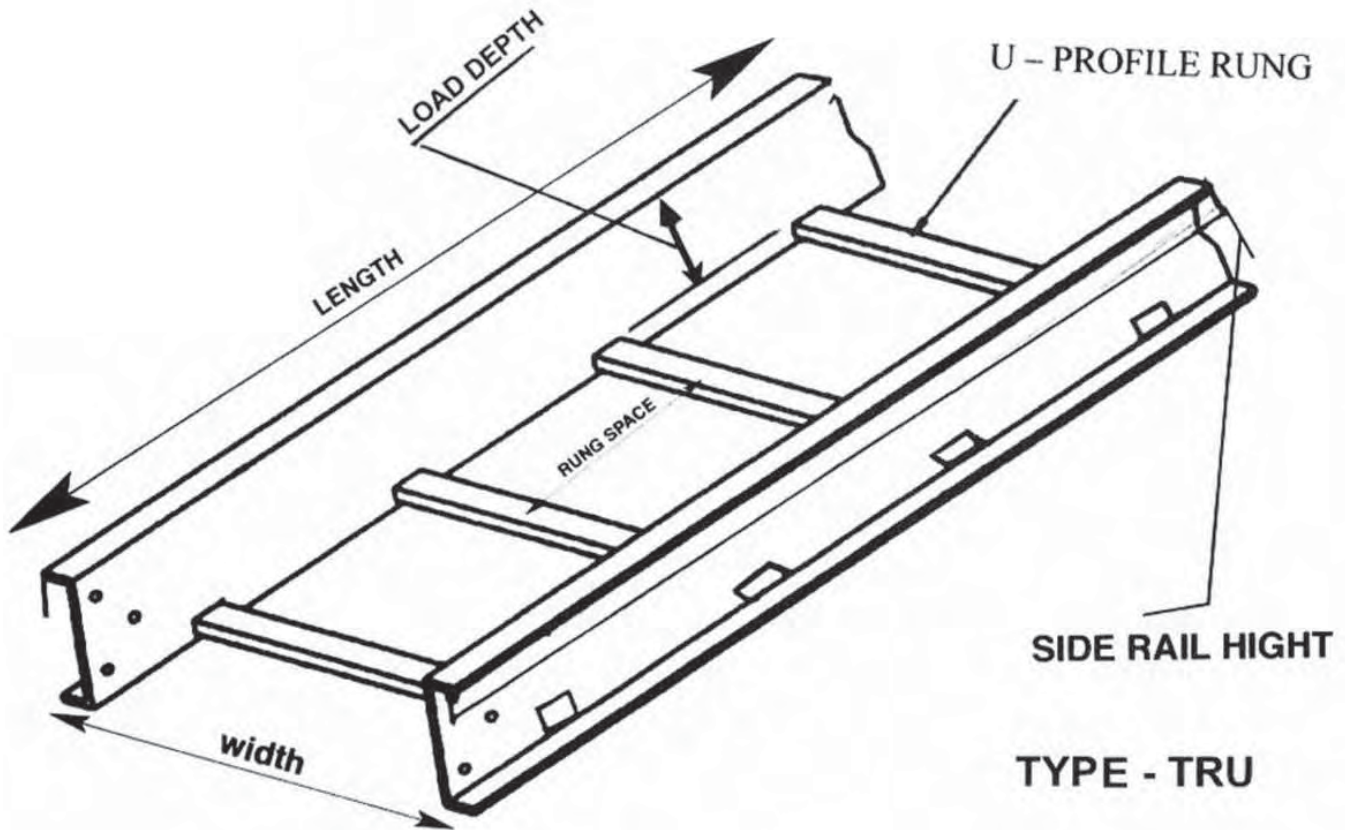
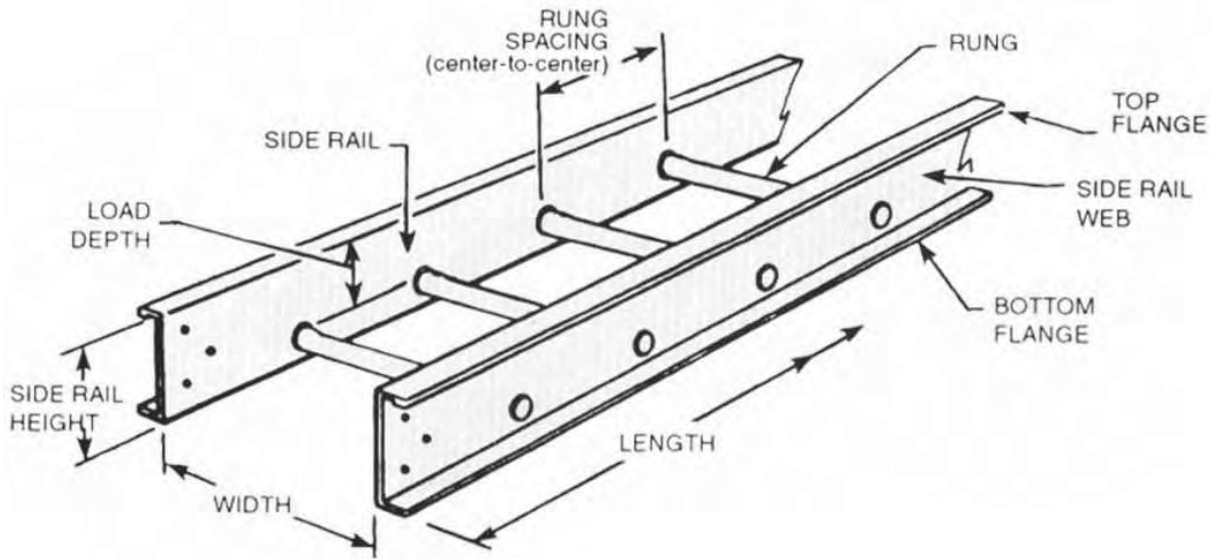
## 3- HEAVY DUTY CABLE LADDER

SIDE RAIL HEIGHT mm	RUNG SPACING mm	RUNG SIZE mm	METAL THICKNESS mm
155	200 - 225	25	2.0
180			

HOT DIP GALVANIZED AFTER FABRICATION (HDGAF)	MILD STEEL TO ASTM A - 123/NEMA VE 1 BS - 729 AND EN ISO 1461 ZINC COATING RANGING FROM 49 - 70 MICRONS DEPENDING ON THE THICKNESS OF THE SHEET
ALUMINIUM	ALUMINIUM ALLOY 5754 (NFA 50-451)

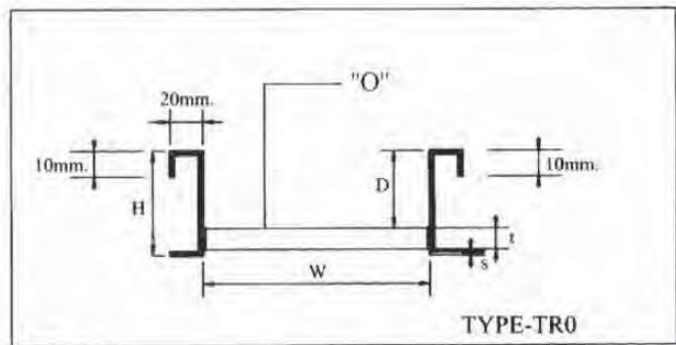
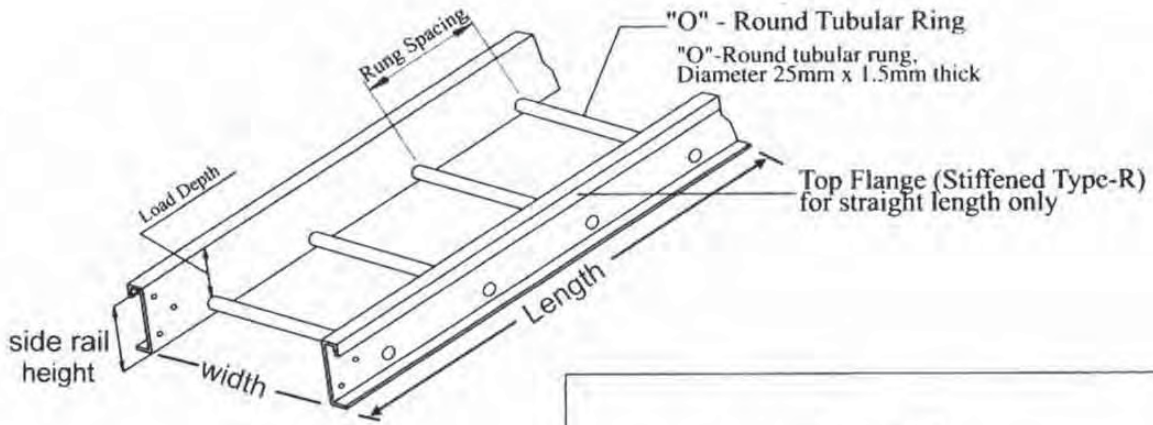
POWDER COATING	POLYESTER POWDER COATING ON MILD STEEL IN R.A.L. COLOURS
----------------	---

# DESCRIPTION OF LADDER

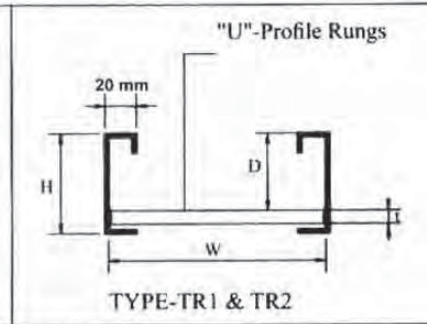
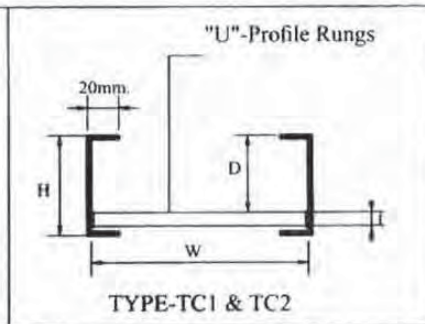
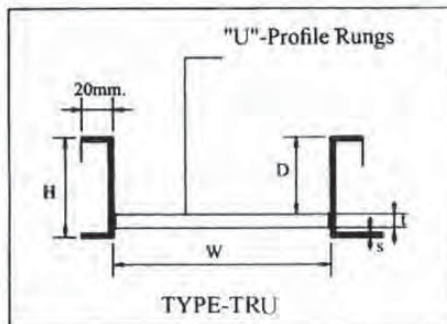
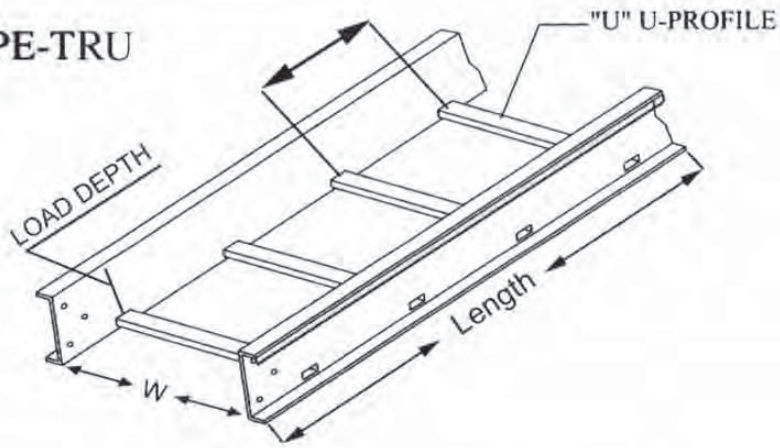




# CABLE LADDER ORDERING GUIDE



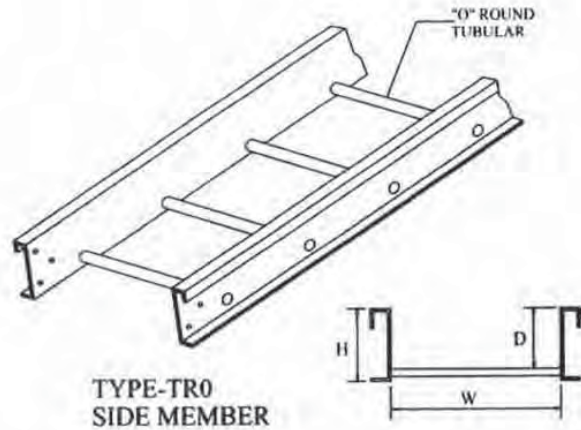
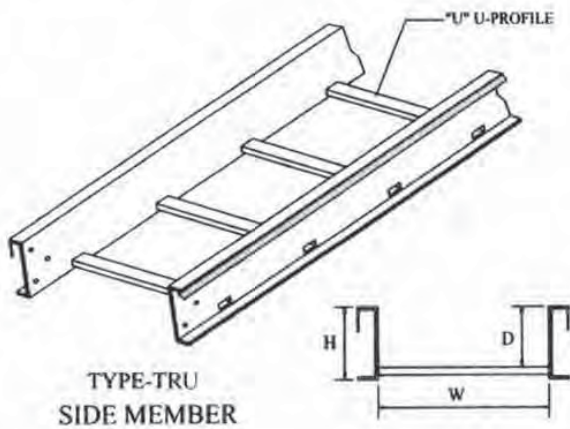
TYPE-TRU



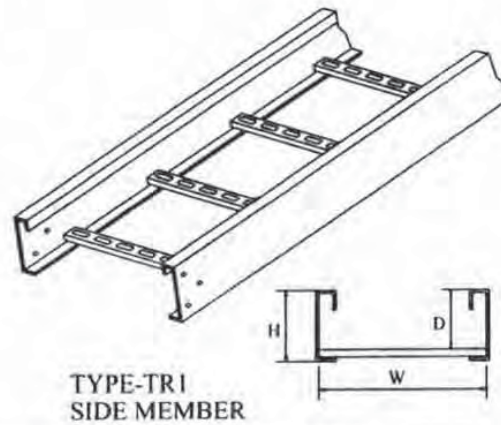
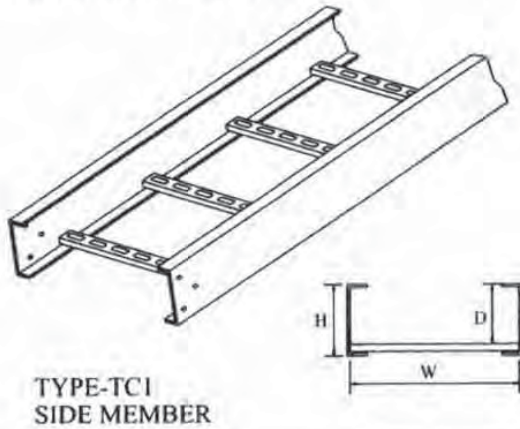
# CABLE LADDER ORDERING GUIDE



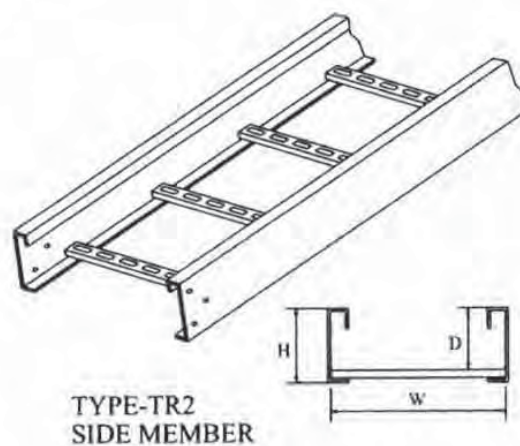
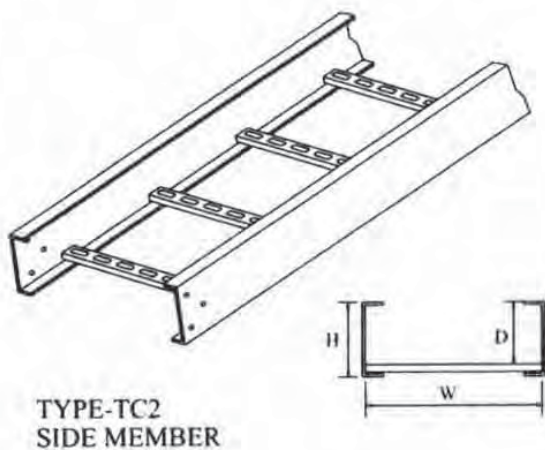
## 1 - HEAVY DUTY TYPE



## 2 - MEDIUM-HEAVY DUTY TYPE


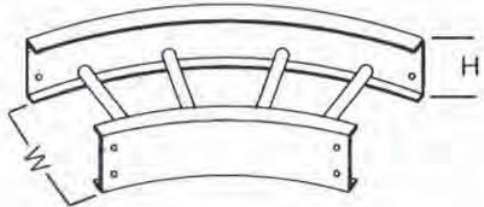
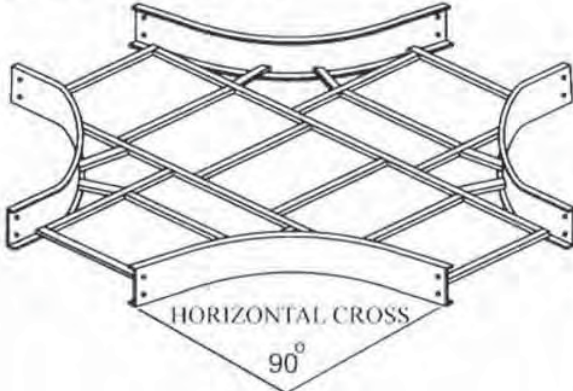
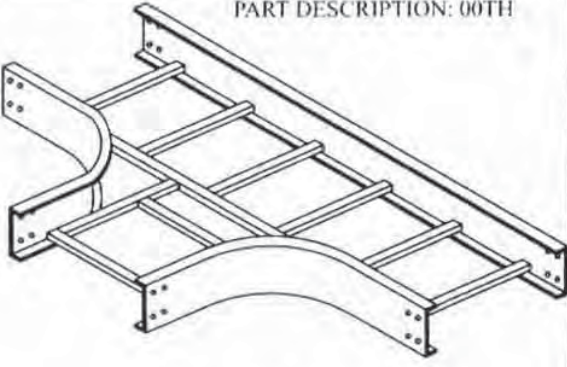
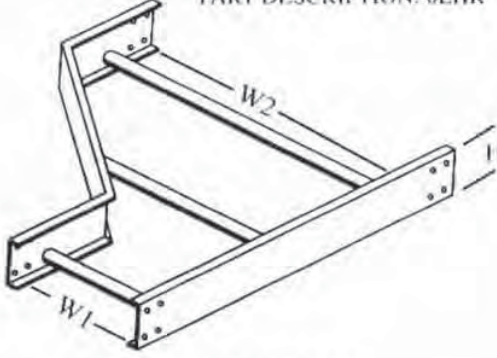
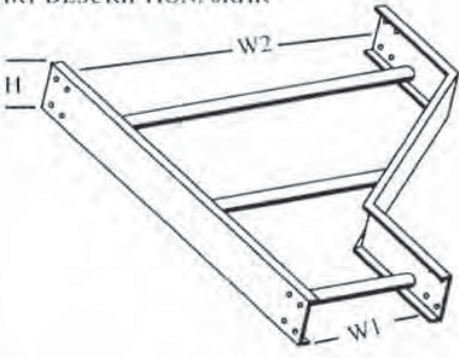
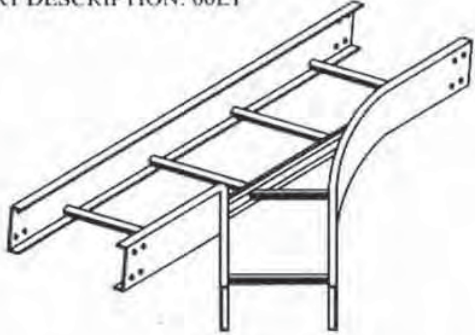
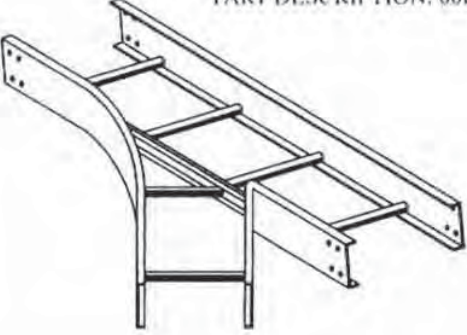


## 3 - MEDIUM-LIGHT DUTY TYPE



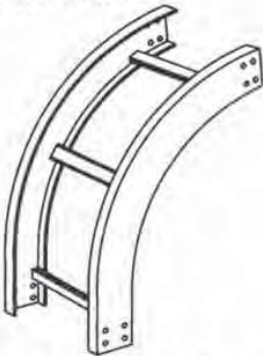
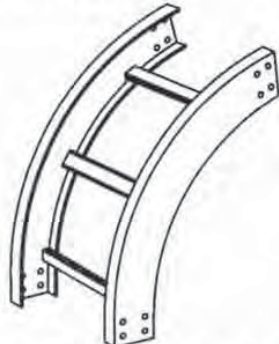
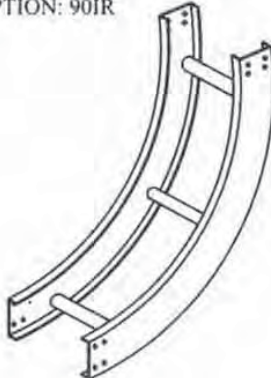
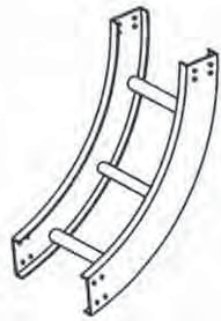
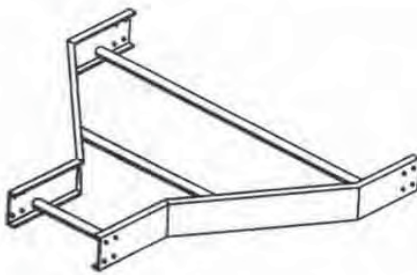
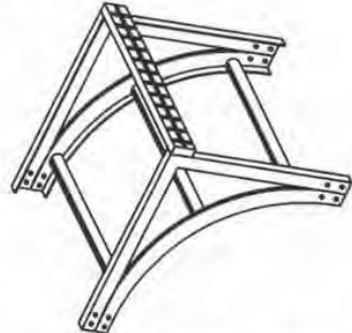
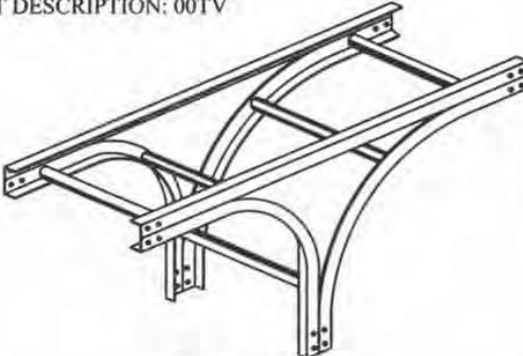
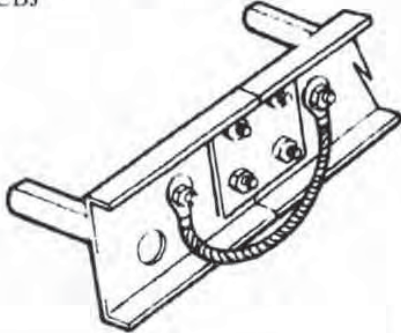


# CABLE LADDER FITTINGS

<p>PART DESCRIPTION: 90HB</p>  <p>90 DEG. HORIZONTAL BEND</p>	<p>PART DESCRIPTION: 45HB</p>  <p>45 DEG. HORIZONTAL BEND</p>
<p>PART DESCRIPTION: 00CH</p>  <p>HORIZONTAL CROSS 90°</p>	<p>PART DESCRIPTION: 00TH</p>  <p>HORIZONTAL Tee</p>
<p>PART DESCRIPTION: 0LHR</p>  <p>LEFT HAND REDUCER</p>	<p>PART DESCRIPTION: 0RHR</p>  <p>RIGHT HAND REDUCER</p>
<p>PART DESCRIPTION: 00LY</p>  <p>Y - WYE BRANCH LEFT</p>	<p>PART DESCRIPTION: 00RY</p>  <p>Y - BRANCH RIGHT</p>

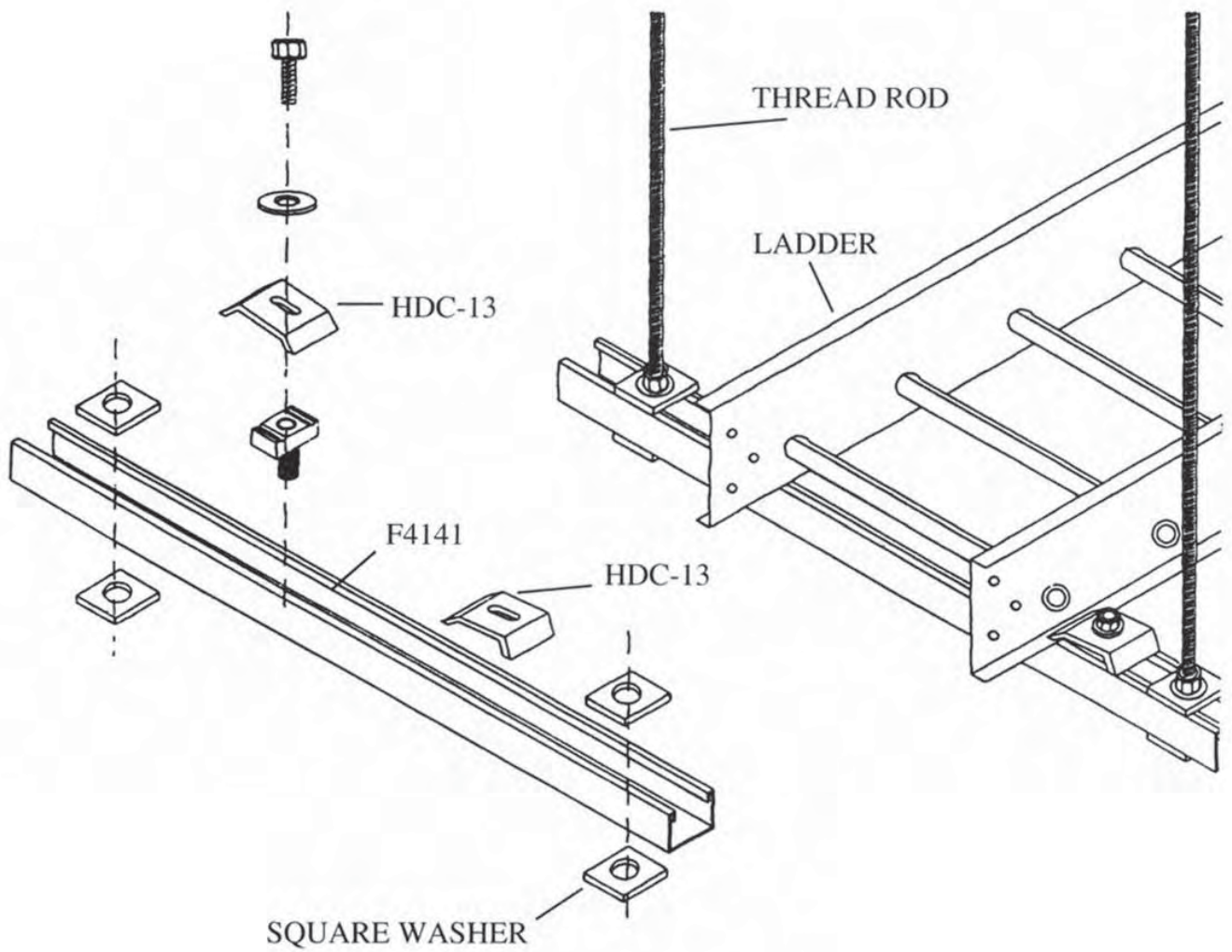
# CABLE LADDER FITTINGS



<p>PART DESCRIPTION: 90OR</p>  <p>90 DEG. OUTSIDE VERT. BEND</p>	<p>PART DESCRIPTION: 45OR</p>  <p>45 DEG. OUTSIDE VERT. BEND</p>
<p>PART DESCRIPTION: 90IR</p>  <p>90 DEG. INSIDE VERT. BEND</p>	<p>PART DESCRIPTION: 45IR</p>  <p>45 DEG. INSIDE VERT. BEND</p>
<p>PART DESCRIPTION: 00SR</p>  <p>STRAIGHT REDUCER</p>	<p>PART DESCRIPTION: 00SV</p>  <p>VERTICAL SUPPORT ELBOW</p>
<p>PART DESCRIPTION: 00TV</p>  <p>VERTICAL Tee</p>	<p>BONDING JUMPER PART No. CBJ</p> 

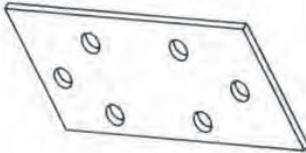
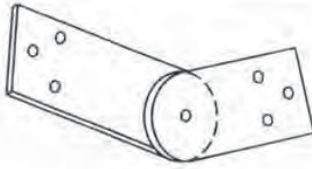
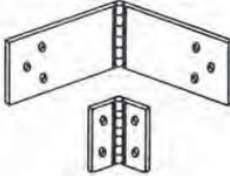
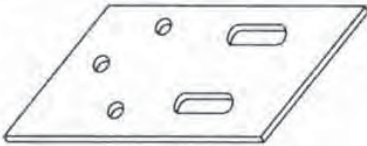
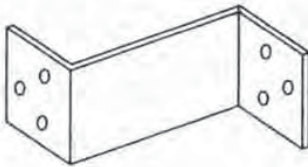
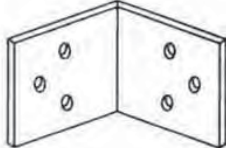
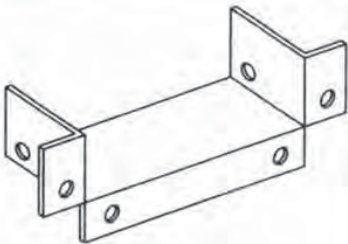


# ACCESSORIES FOR LADDER

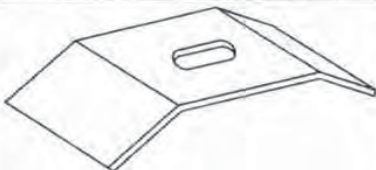
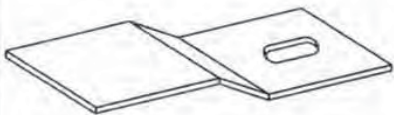


# CABLE LADDER ACCESSORIES CONNECTORS



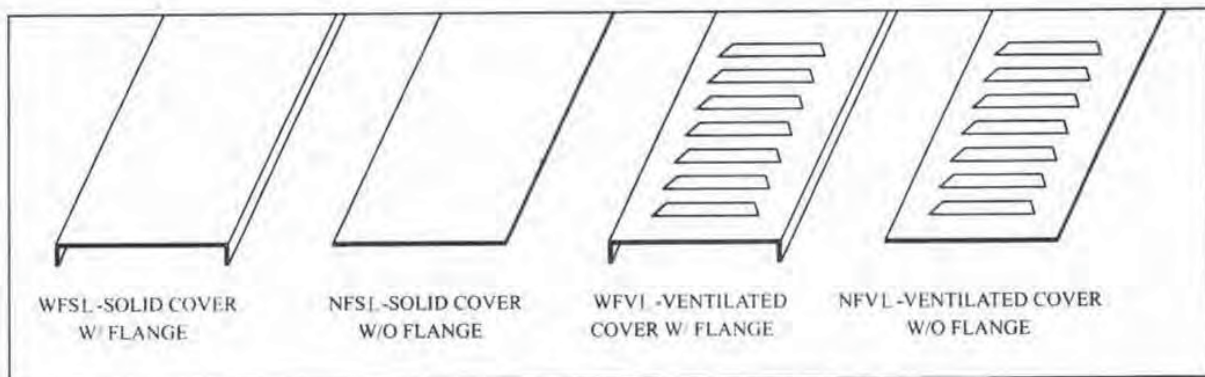
 <p>STANDARD CONNECTOR PART REFERENCE : LSC1</p>	 <p>VERTICAL ADJUSTABLE CONNECTOR PART REFERENCE : VAC2</p>	 <p>HORIZONTAL ADJUSTABLE CONNECTOR PART REFERENCE : HAC3</p>																																
 <p>EXPANSION CONNECTOR PART REFERENCE : LCE4</p>	 <p>REDUCING CONNECTOR PART REFERENCE : LCR5</p>	 <p>90 DEG. ANGLE CONNECTOR PART REFERENCE : A90-6</p>																																
 <p>BOX CONNECTOR PART REFERENCE : LCB7</p>	<table border="1"> <thead> <tr> <th>SIDE HT.</th> <th>MATERIAL</th> <th>PART REFERENCE</th> </tr> </thead> <tbody> <tr> <td>2</td> <td rowspan="5">B Hot Dip Galvanized (H.D.G.A.F.)</td> <td>- LSC 1</td> </tr> <tr> <td>50 mm</td> <td>- LCE 4</td> </tr> <tr> <td>3</td> <td>- VAC 2</td> </tr> <tr> <td>75 mm</td> <td>- HAC 3</td> </tr> <tr> <td>4</td> <td>- LCR 5</td> </tr> <tr> <td>100 mm</td> <td rowspan="4">C Aluminum</td> <td>- A90 6</td> </tr> <tr> <td>5</td> <td>- LCB 7</td> </tr> <tr> <td>125 mm</td> <td></td> </tr> <tr> <td>6</td> <td></td> </tr> <tr> <td>133 mm</td> <td></td> <td></td> </tr> <tr> <td>7</td> <td></td> <td></td> </tr> <tr> <td>150 mm</td> <td></td> <td></td> </tr> </tbody> </table>		SIDE HT.	MATERIAL	PART REFERENCE	2	B Hot Dip Galvanized (H.D.G.A.F.)	- LSC 1	50 mm	- LCE 4	3	- VAC 2	75 mm	- HAC 3	4	- LCR 5	100 mm	C Aluminum	- A90 6	5	- LCB 7	125 mm		6		133 mm			7			150 mm		
SIDE HT.	MATERIAL	PART REFERENCE																																
2	B Hot Dip Galvanized (H.D.G.A.F.)	- LSC 1																																
50 mm		- LCE 4																																
3		- VAC 2																																
75 mm		- HAC 3																																
4		- LCR 5																																
100 mm	C Aluminum	- A90 6																																
5		- LCB 7																																
125 mm																																		
6																																		
133 mm																																		
7																																		
150 mm																																		

## CLAMPS

 <p>HOLD DOWN CLAMP PART REFERENCE : HDC13</p>	 <p>EXPANSION GUIDE PART REFERENCE : EGZ</p>
---	--



# CABLE LADDER COVERS



## ORDER BY CATALOG NUMBER

### STRAIGHT LENGTHS

EXAMPLE :

**WFV BO - 00SL 60030**

WFVL - VENTILATED  
COVER W/ FLANGE

**WFV** = Solid Cover with Flange Type

**B** = Hot Dip Galvanize

**O** = Side Rail Type

**00SL** = Straight Length

**600** = 600 mm Wide

**30** = 3 Meter Length

### FITTINGS

EXAMPLE :

**WFS A - 90HB 250 - 30**

WFSL - SOLID COVER  
W/ FLANGE

**WFS** = Solid Cover without Flange

**B** = Hot Dip Galvanize

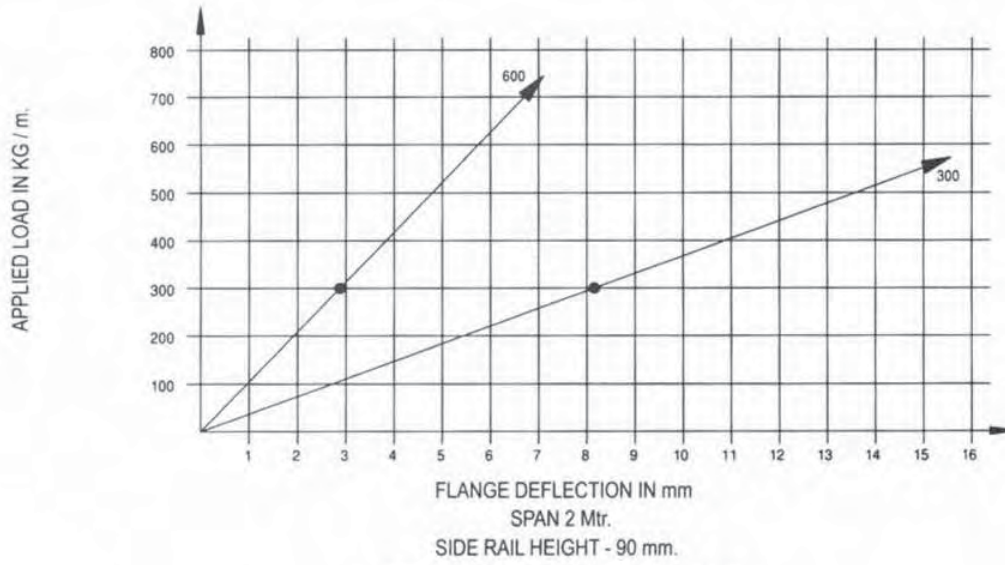
**90HB** = 90 Deg. Horizontal Elbow

**250** = 250 mm Wide

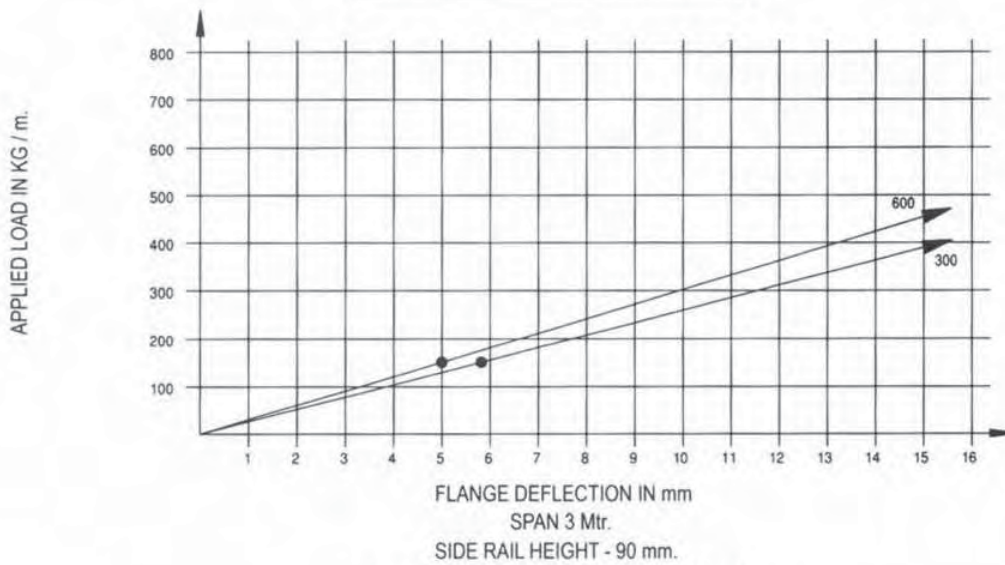
**30** = 300 mm. Fitting Radius

COVER TYPE	MATERIAL FINISH	SIDE RAIL TYPE	PART DESCRIPTION	WIDTH mm	LENGTH/RADIUS
STRAIGHT LADDER & FITTINGS	B Hot Dip Galvanized (H.D.G.A.F.)	O FOR TYPE-TRU & TR0 OUTSIDE FLANGE	00SL - Straight Length	150	STRAIGHT SECTIONS
NFSL SOLID W/O FLANGE			90HB - 90 Deg. Horizontal Bend	200	
NFVL VENT. W/O FLANGE	C ALUMINUM	I FOR TYPE-TC1 & TR1 TYPE-TC2 & TR2 INSIDE FLANGE	45HB - 45 Deg. Horizontal Bend	250	30 3 Meters
NFVL VENT. W/O FLANGE			90IR - 90 Deg. Inside Riser	300	
STRAIGHT LADDER ONLY	L	L	45IR - 45 Deg. Inside Riser	350	FITTING RADIUS
WFSL SOLID W/ FLANGE			90OR - 90 Deg. Outside Riser	450	
WFVL VENT W/ FLANGE	L	L	45OR - 45 Deg. Outside Riser	500	60 (600 mm. RAD)
WFVL VENT W/ FLANGE			00TH - Horizontal Tee	600	
			00CH - Horizontal Cross	700	
			0RHR - Right Hand Reducer	750	
			0LHR - Left Hand Reducer	800	
			00SR - Straight Reducer	900	
			00LY - Y - Branch Left	1000	
			00RY - Y - Branch Right	1200	
			00SV - Vertical Support Elbow	1500	
			00TV - Vertical Tee		

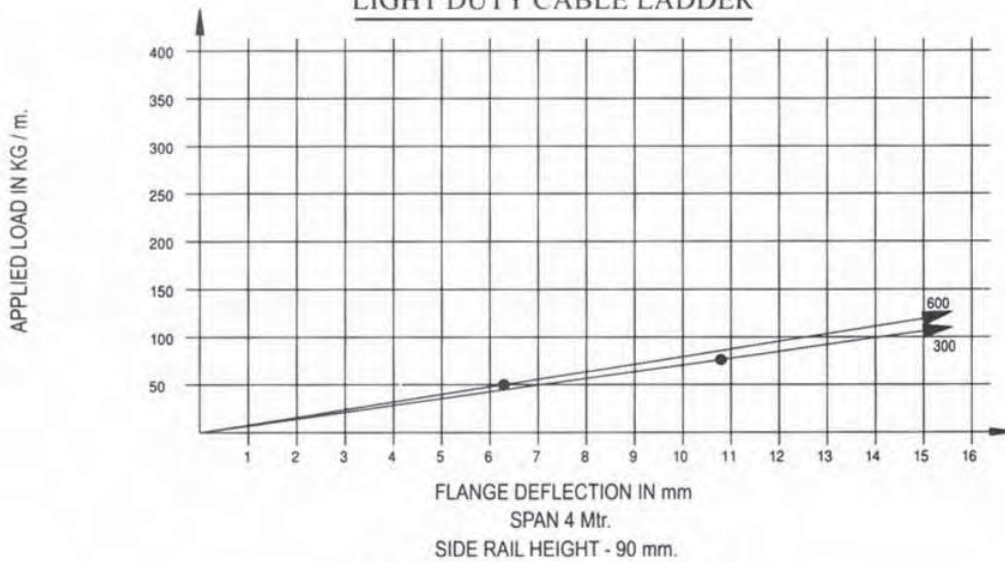
# LOADING GRAPH FOR CABLE LADDER



LIGHT DUTY CABLE LADDER



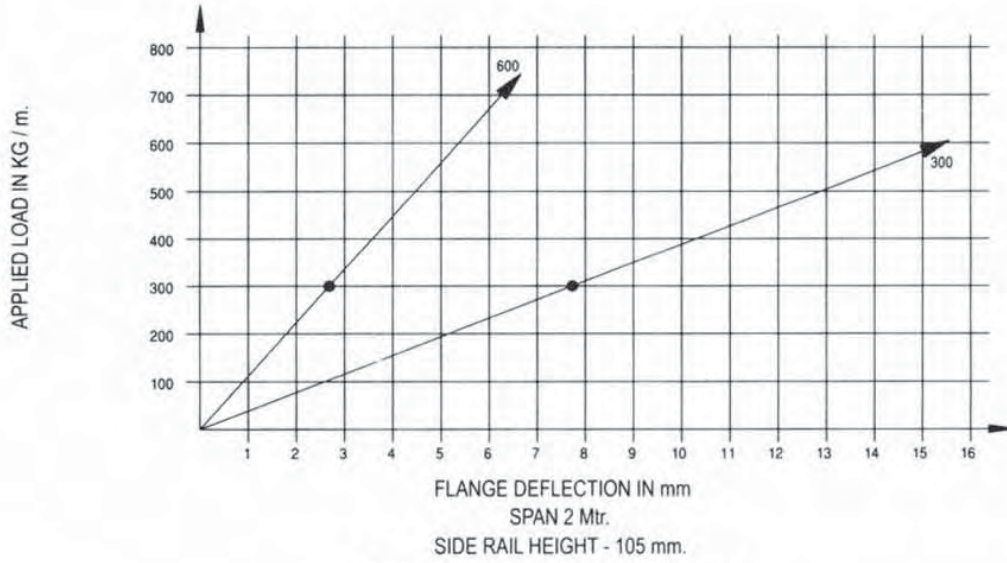
LIGHT DUTY CABLE LADDER



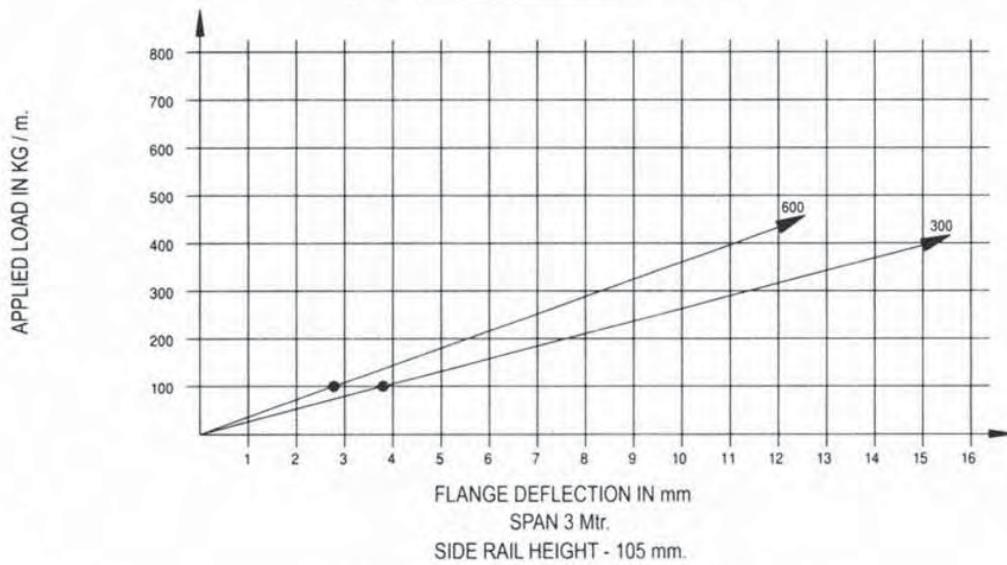
LIGHT DUTY CABLE LADDER



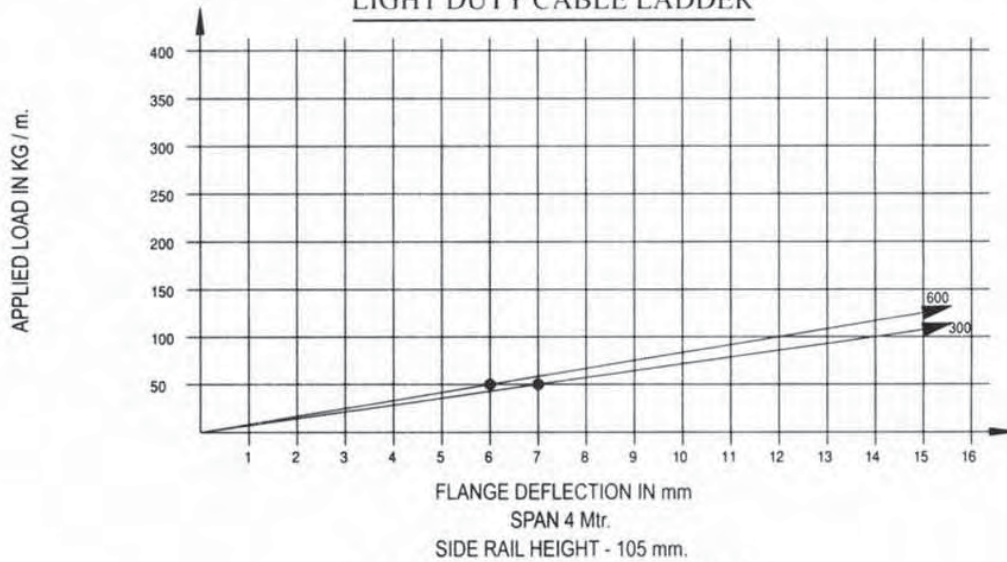
# LOADING GRAPH FOR CABLE LADDER



LIGHT DUTY CABLE LADDER



LIGHT DUTY CABLE LADDER

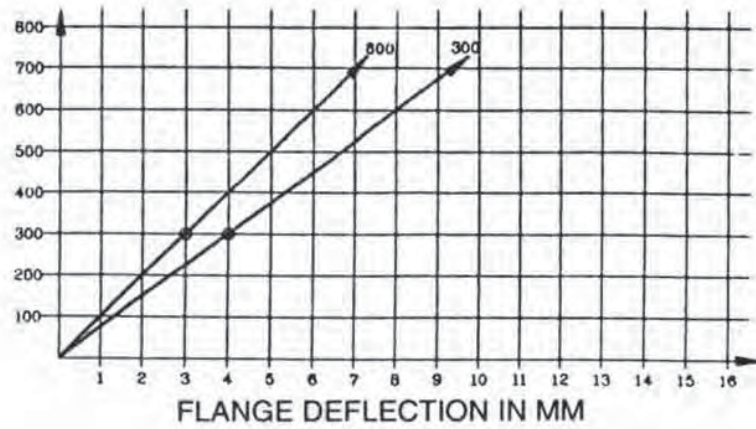


LIGHT DUTY CABLE LADDER

# LOADING GRAPH FOR CABLE LADDER

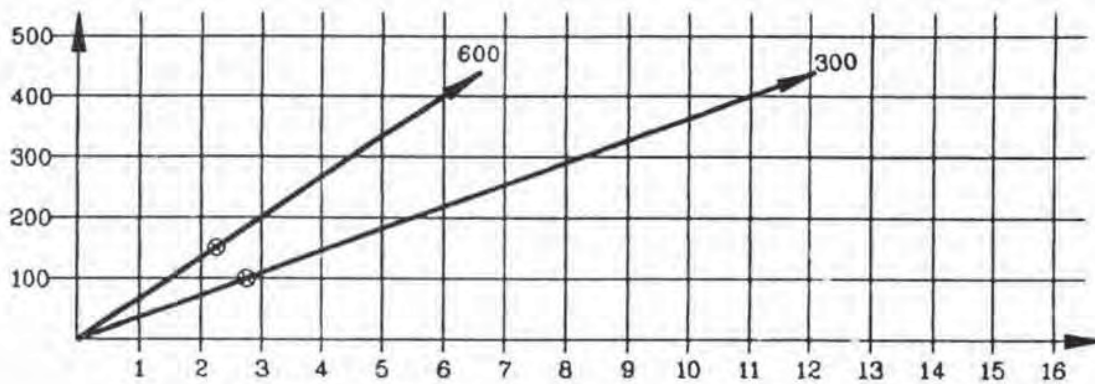


APPLIED LOAD IN KG / M.



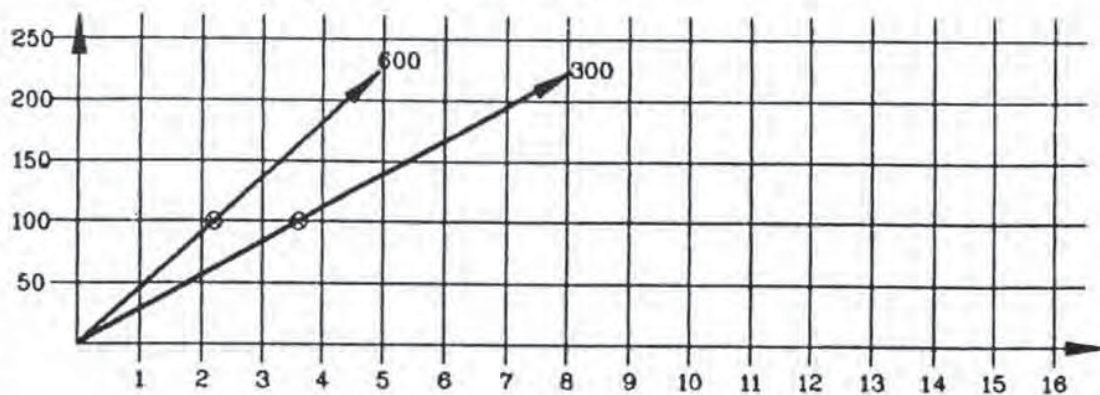
SPAN 2 Mtr.  
SIDE RAIL HEIGHT - 120 mm  
**MEDIUM DUTY CABLE LADDER**

APPLIED LOAD IN KG / M.



FLANGE DEFLECTION IN MM  
SPAN 3 Mtr.  
SIDE RAIL HEIGHT - 120 mm  
**MEDIUM DUTY CABLE LADDER**

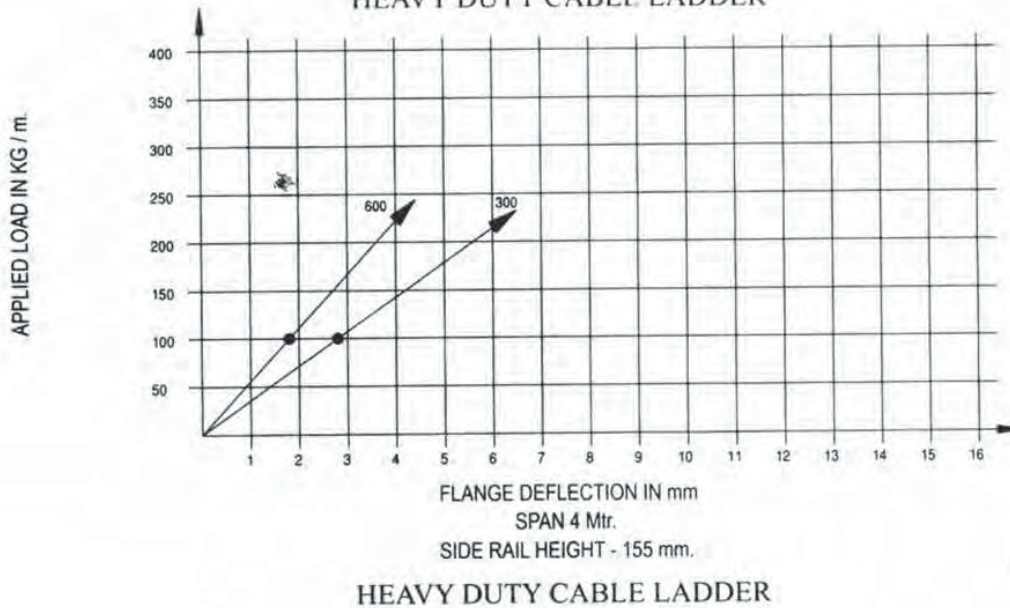
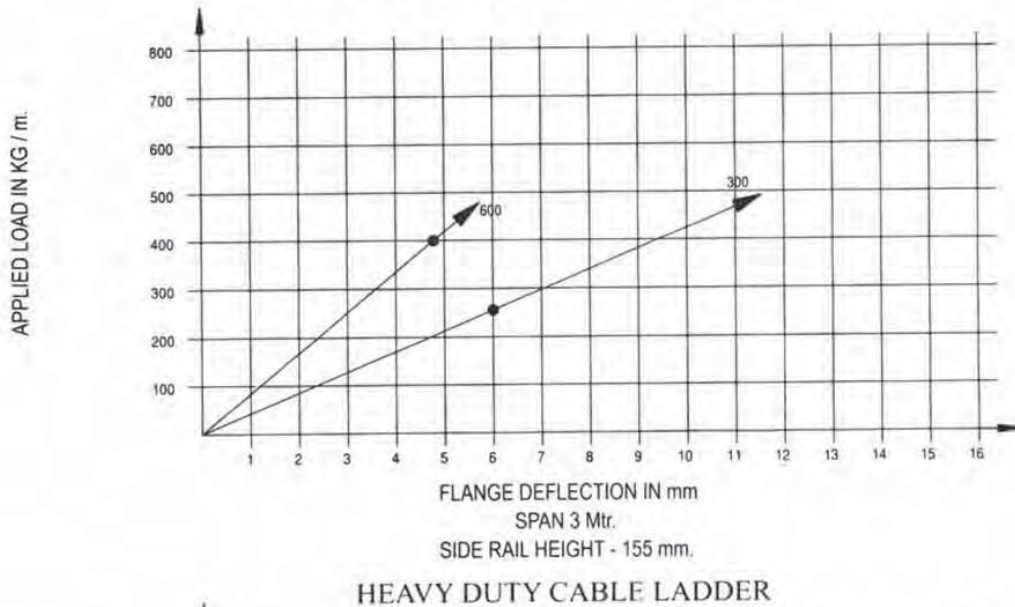
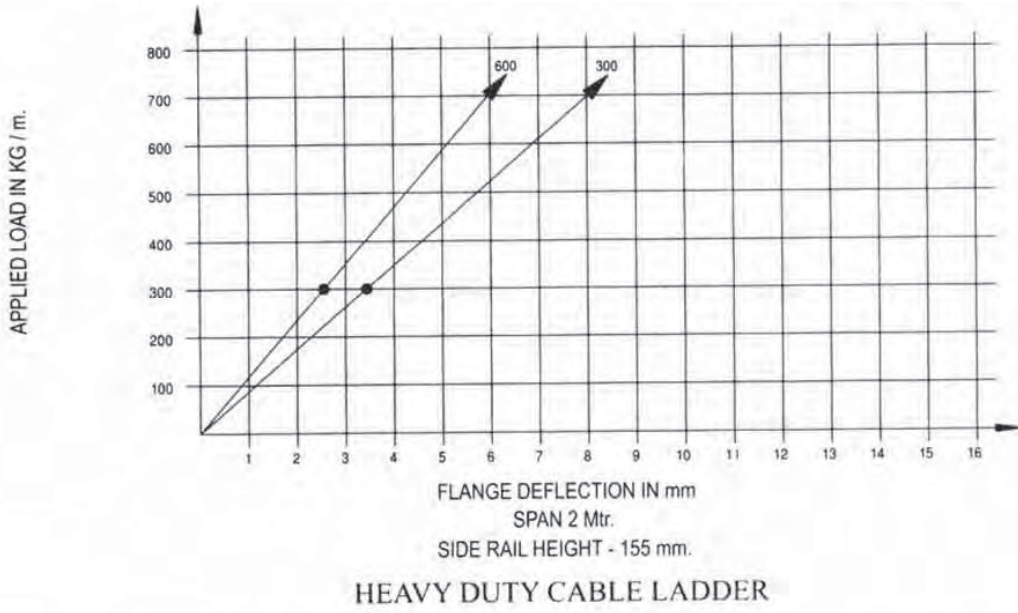
APPLIED LOAD IN KG / M.



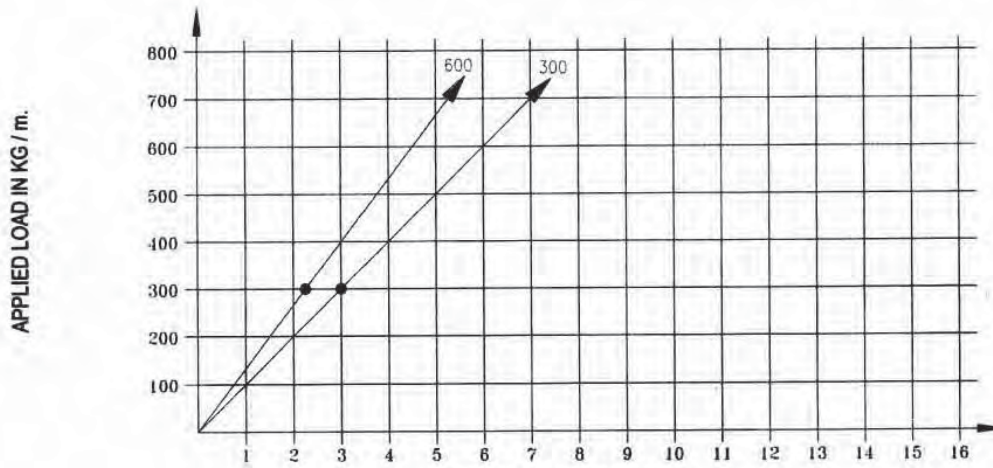
FLANGE DEFLECTION IN MM  
SPAN 4 Mtr.  
SIDE RAIL HEIGHT - 120 mm  
**MEDIUM DUTY CABLE LADDER**



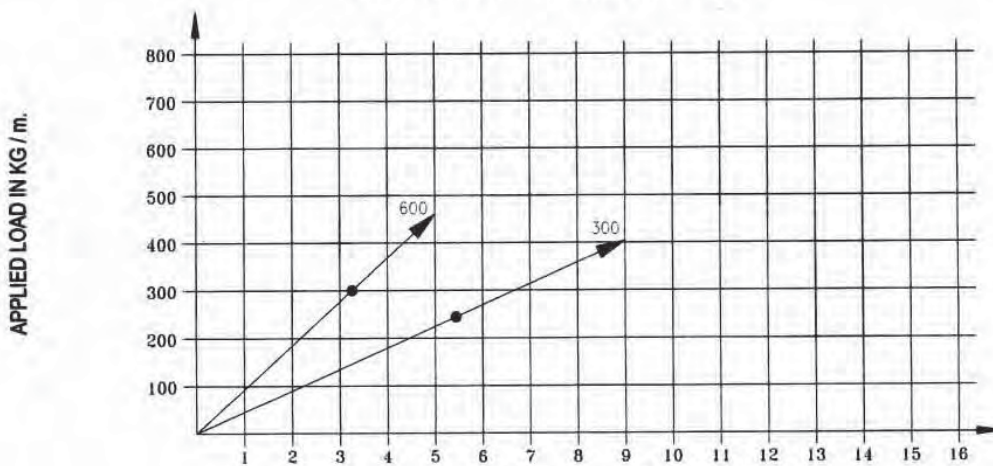
# LOADING GRAPH FOR CABLE LADDER



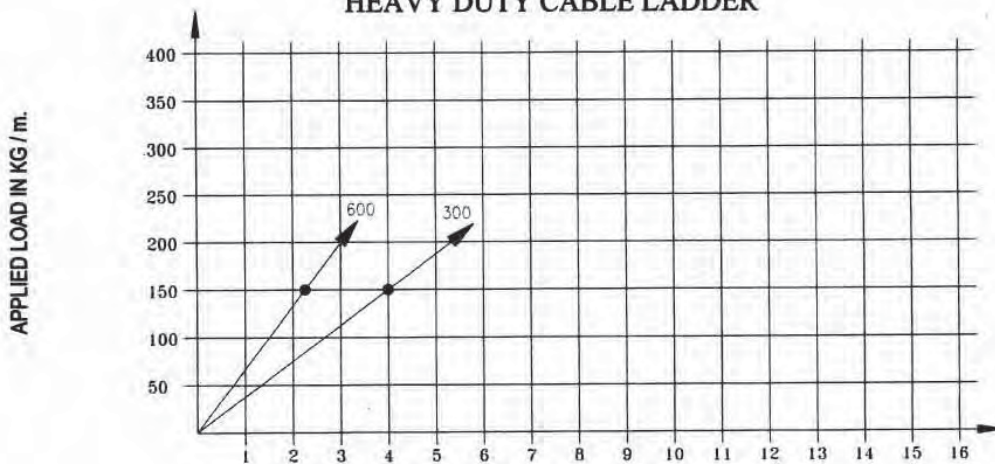
# LOADING GRAPH FOR CABLE LADDER



FLANGE DEFLECTION IN MM  
SPAN 2 Mtr.  
SIDE RAIL HEIGHT - 180 mm.  
**HEAVY DUTY CABLE LADDER**



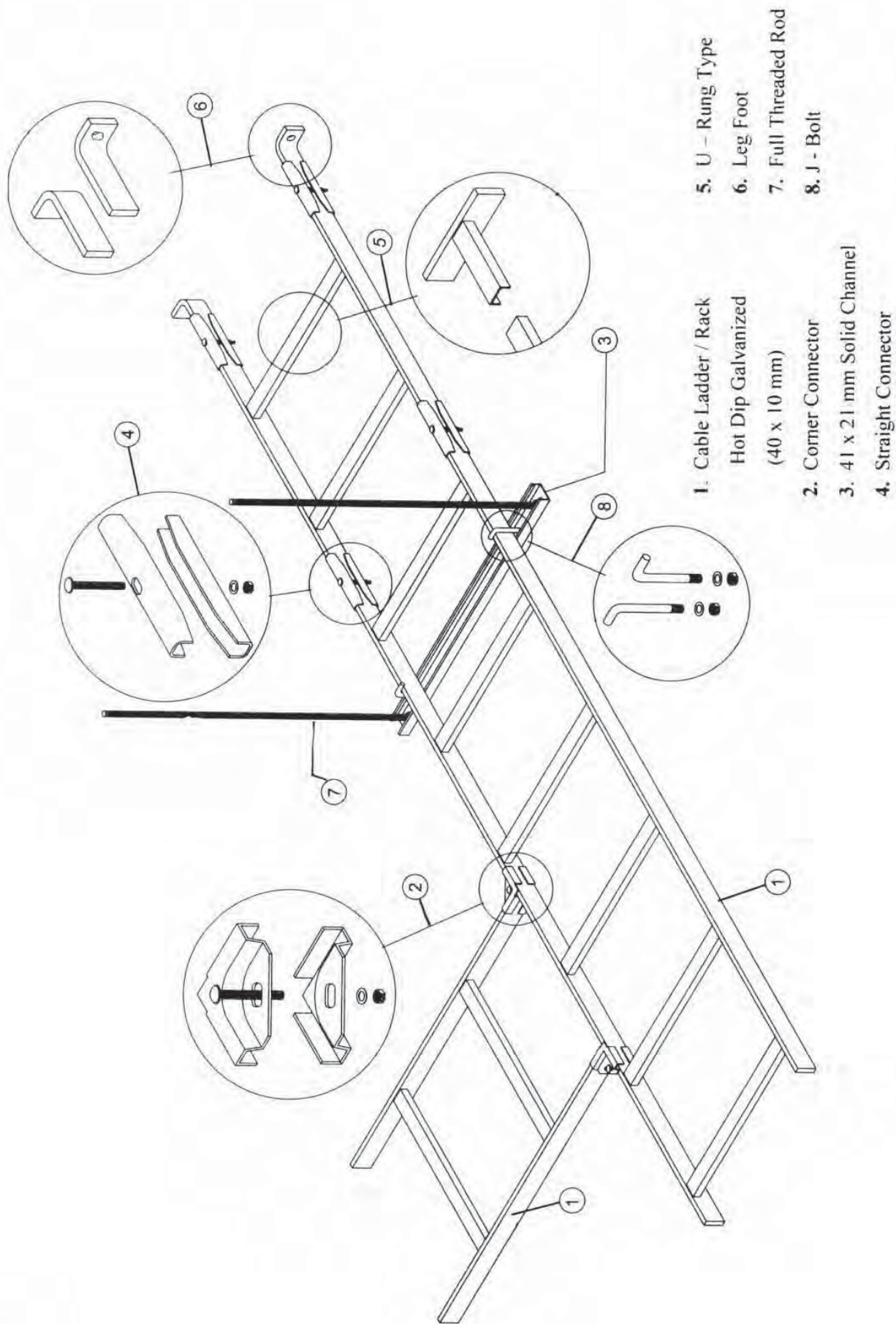
FLANGE DEFLECTION IN MM  
SPAN 3 Mtr.  
SIDE RAIL HEIGHT - 180 mm.  
**HEAVY DUTY CABLE LADDER**



FLANGE DEFLECTION IN MM  
SPAN 4 Mtr.  
SIDE RAIL HEIGHT - 180 mm.  
**HEAVY DUTY CABLE LADDER**



# SHELTER CABLE LADDER/RACK



- 1. Cable Ladder / Rack  
Hot Dip Galvanized  
(40 x 10 mm)
- 2. Corner Connector
- 3. 41 x 21 mm Solid Channel
- 4. Straight Connector
- 5. U - Rung Type
- 6. Leg Foot
- 7. Full Threaded Rod
- 8. J - Bolt