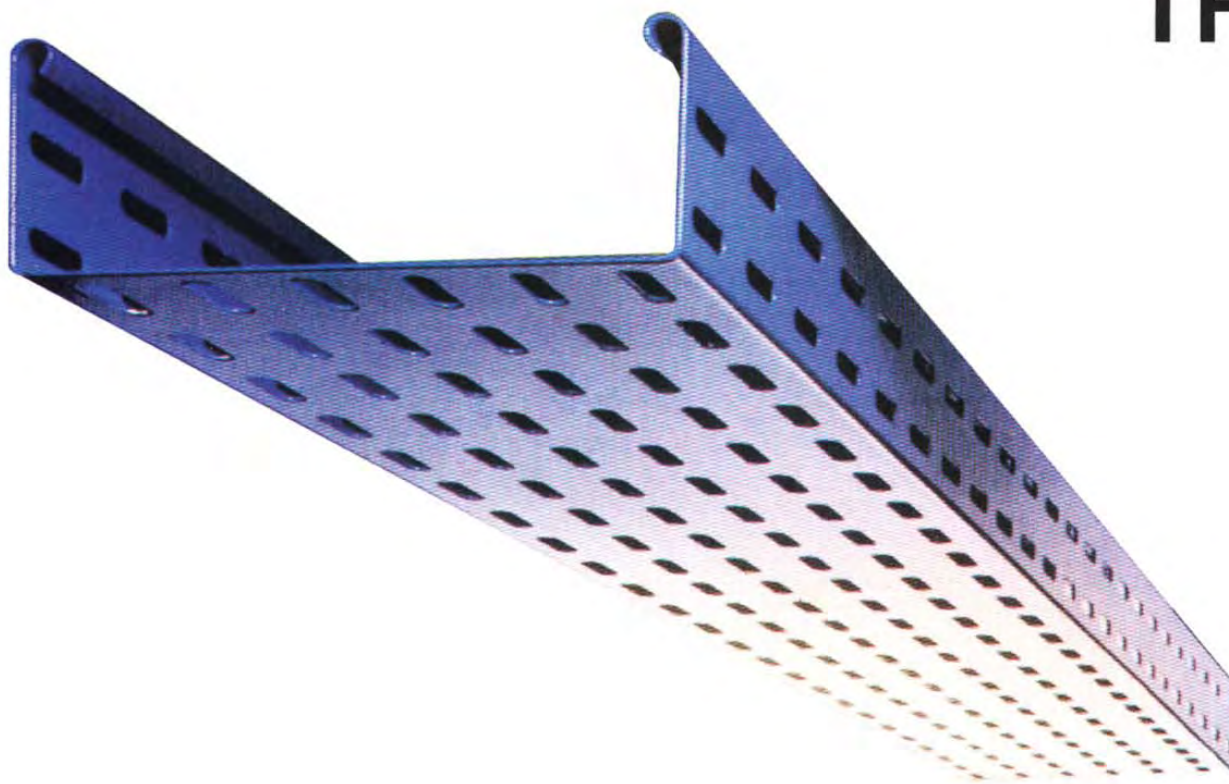


ELSA CABLE TRAY SYSTEM FRENCH STANDARD



TF

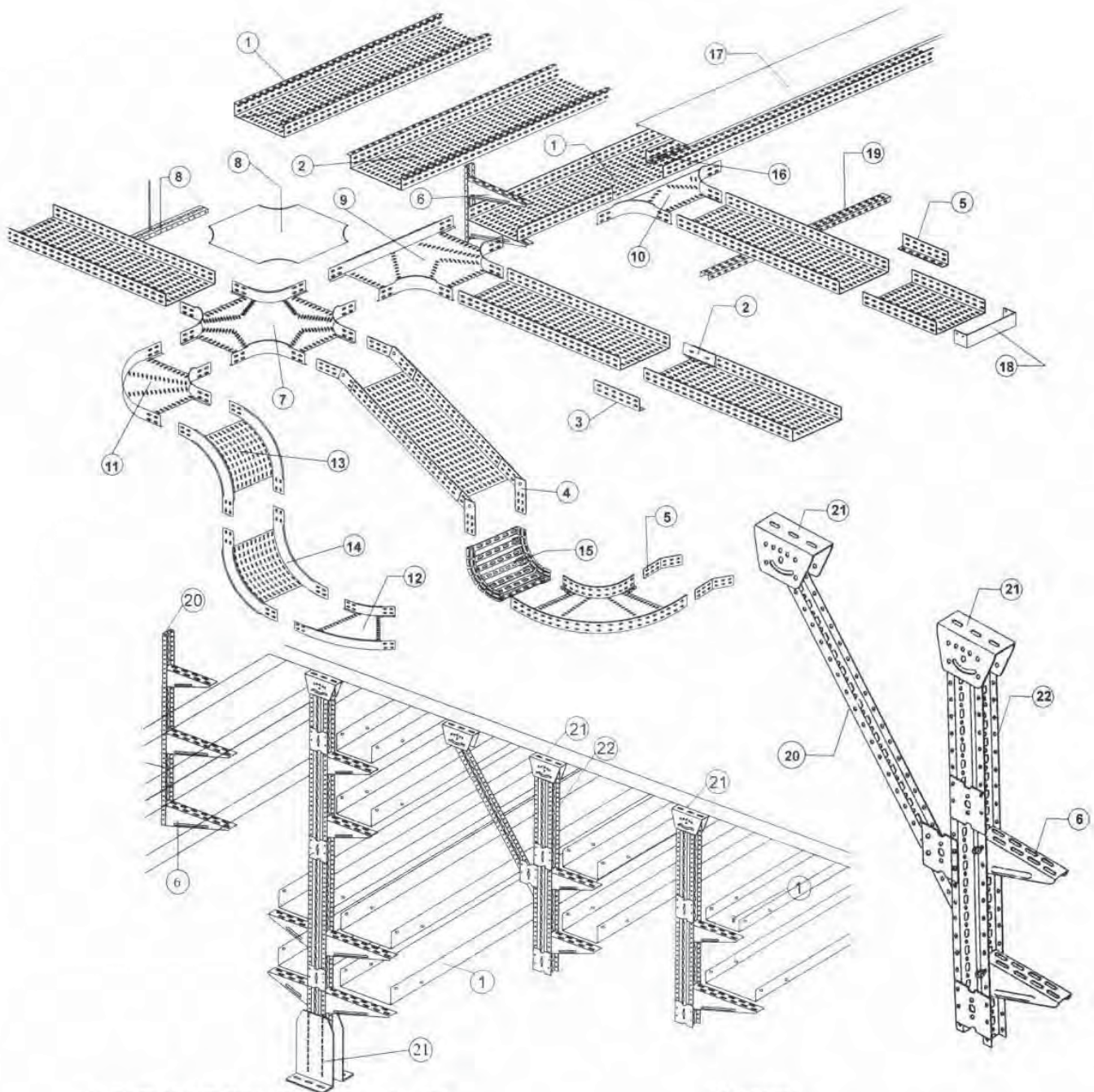


FRENCH STANDARD



PRODUCT RANGE

ELSA CABLE TRAY SYSTEM FRENCH STANDARD



- 1 - TYPE-TF CABLE TRAY
- 2 - CLIP-ON-COUPLER
- 3 - CORNERED SPLICE PLATE
- 4 - HINGED SPLICE PLATE
- 5 - BENDABLE SPLICE PLATE
- 6 - CONSOLES BRACKETS
- 7 - CROSS
- 8 - COVERS FOR CONNECTING UNITS

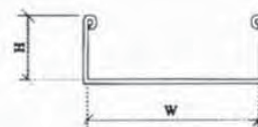
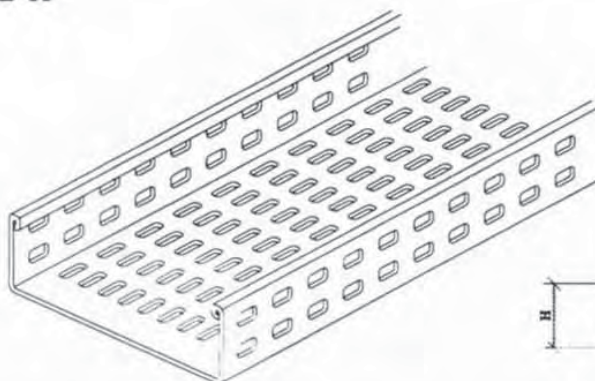
- 9 - Tee
- 10 - TAKE OFF
- 11 - 90° BEND
- 12 - 135° BEND
- 13 - 90° OUTSIDE BEND
- 14 - 90° INSIDE BEND
- 15 - SIMPLIFIED CONNECTING UNITS
- 16 - DIVIDER

- 17 - COVER
- 18 - END PLATE
- 19 - PERFORATED PROFILES
- 20 - MOUNTING CHANNEL
- 21 - DOUBLE GOUSSET
- 22 - DOUBLE CHANNEL

ELSA CABLE TRAY ORDERING GUIDE FRENCH STANDARD



TYPE-TF

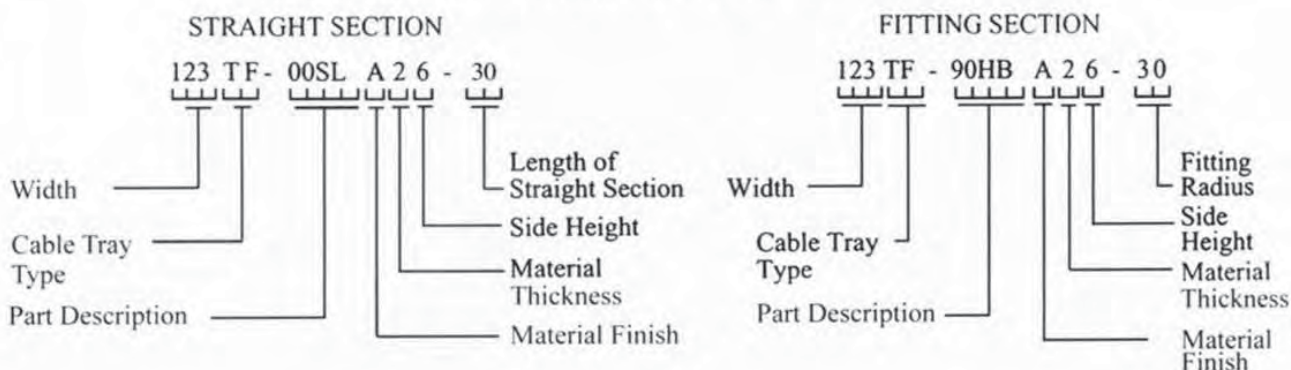


No. 1

ORDERING CHARTS FRENCH STANDARD

WIDTH (mm)	CABLE TRAY TYPE	PART DESCRIPTION	FRENCH STD.	MATERIAL Finish	THICKNESS	SIDE HEIGHT	LENGTH/ RADIUS		
123	TF Inside REturn Flange	00SL - Straight Length	A	A Mill Galvanized steel sheet	9 0.9 mm	5 50 mm	STRAIGHT SECTION		
		90HB - 90 Deg. Horizontal Bend	CT 1		1 1.00mm		30 3.00 meters		
45HB - 45 Deg. Horizontal Bend		CT 2							
220		90IR - 90 Deg. Inside Riser	CT 3	2 1.20mm	6 60mm	FITTING RADIUS			
		45IR - 45 Deg. Inside Riser	CT 4						
316		90OR - 90 Deg. Outside Riser	CT 5	3 1.50mm	7 75 mm	30 300mm			
	45OR - 45 Deg. Outside Riser	CT 6							
436	00TH - Horizontal Tee	G	B Hot Dip Galvanized (H.D.G.A.F.)	3 1.50mm	10 100mm	60 600mm			
495	00TU - Horizontal Unequal Tee						CTG1		
	00CH - Horizontal Cross							CTG2	
508	00UC - Horizontal Unequal Cross						CTG3	C Aluminum alloy	90 900mm
	0RHR - Right Hand Reducer						CTG4		
600	0LHR - Left Hand Reducer						CTG5		
	00SR - Straight Reducer	CTG6							

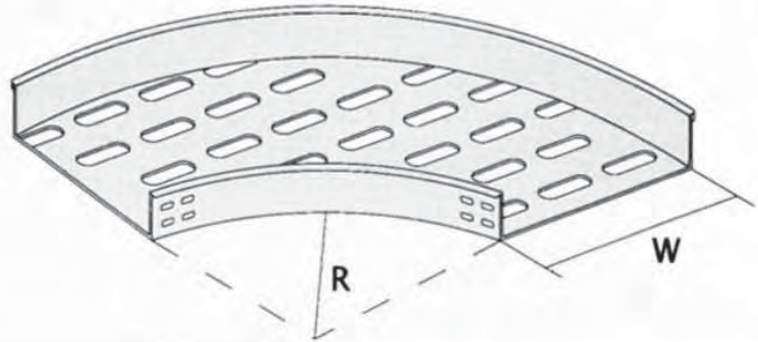
PART NUMBERING SYSTEM



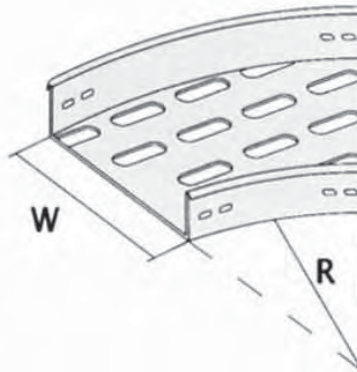


ELSA CABLE TRAY FITTINGS - FRENCH STANDARD

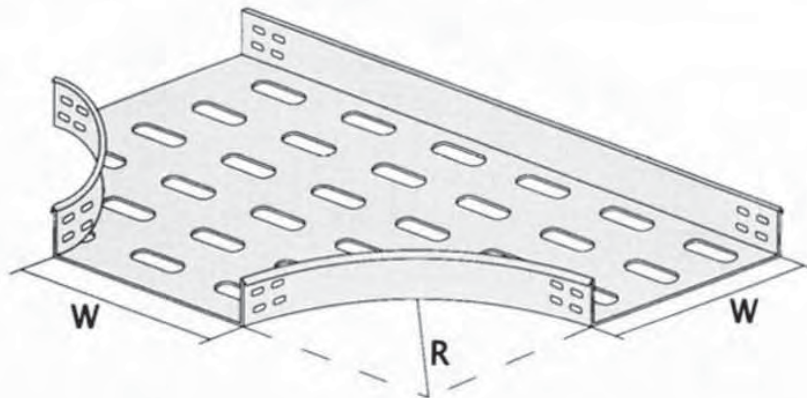
90° HORIZONTAL ELBOW
PART DESCRIPTION: 90HB



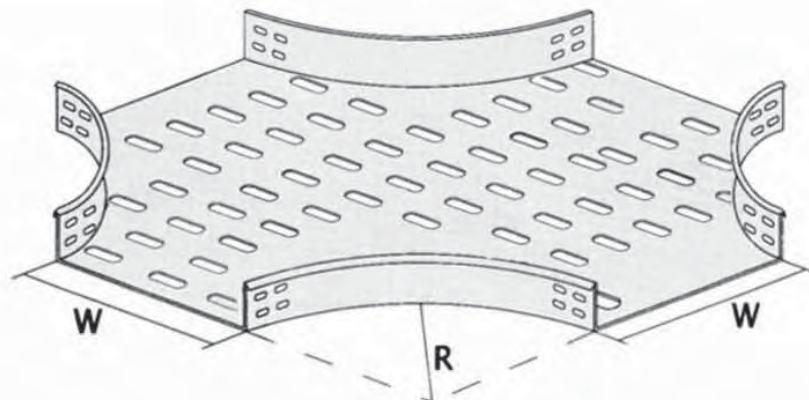
45° HORIZONTAL ELBOW
PART DESCRIPTION: 45HB



HORIZONTAL Tee
PART DESCRIPTION: 00TH



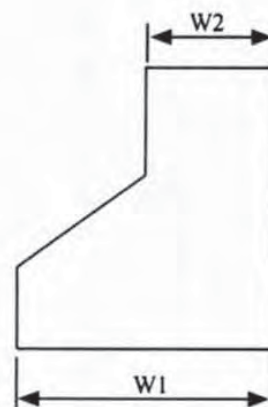
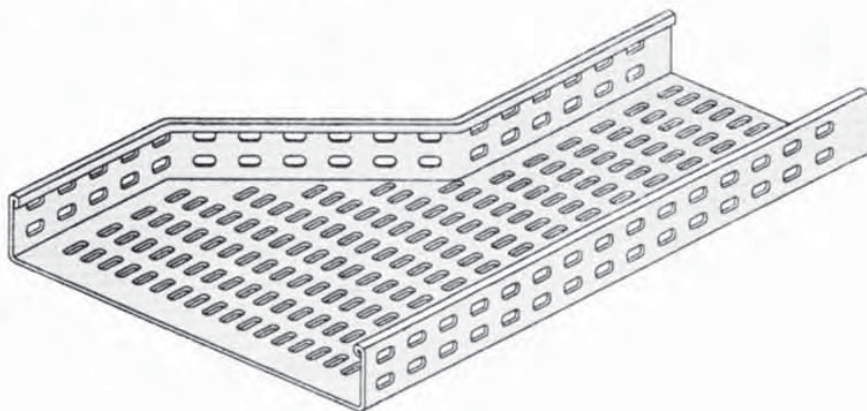
HORIZONTAL CROSS
PART DESCRIPTION: 00CH



ELSA CABLE TRAY FITTINGS - FRENCH STANDARD

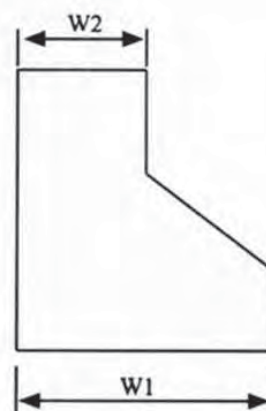
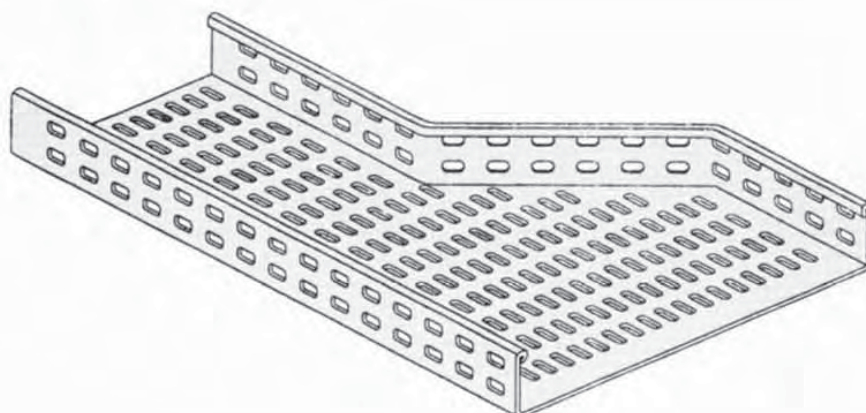


RIGHT HAND REDUCER
PART DESCRIPTION: 0RHR



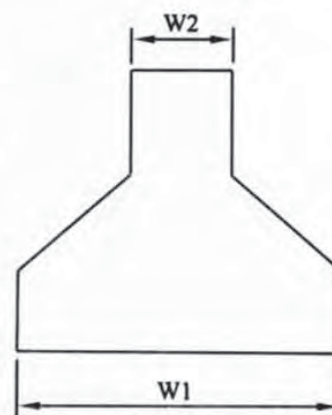
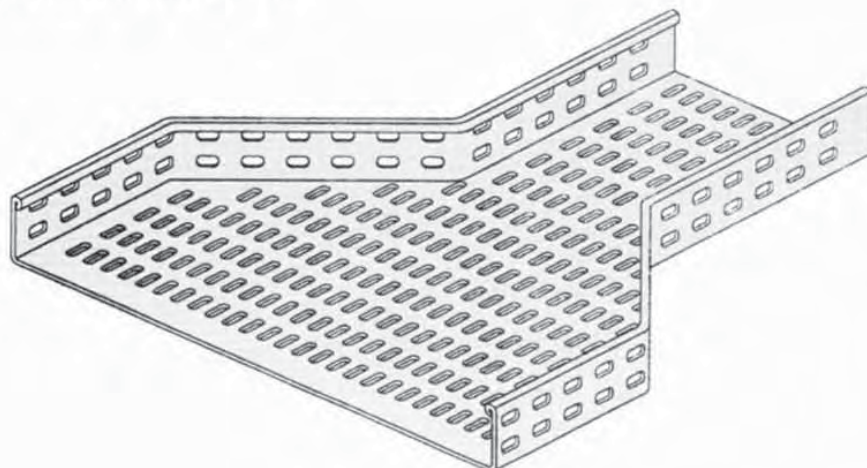
RIGHT HAND REDUCER

LEFT HAND REDUCER
PART DESCRIPTION: 0LHR



LEFT HAND REDUCER

STRAIGHT REDUCER
PART DESCRIPTION: 00SR

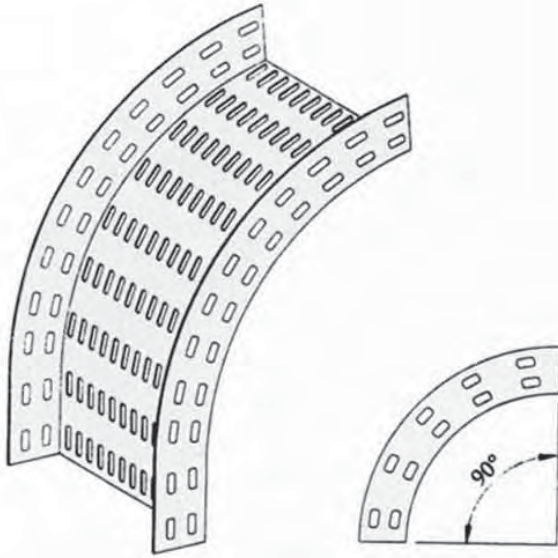


STRAIGHT REDUCER

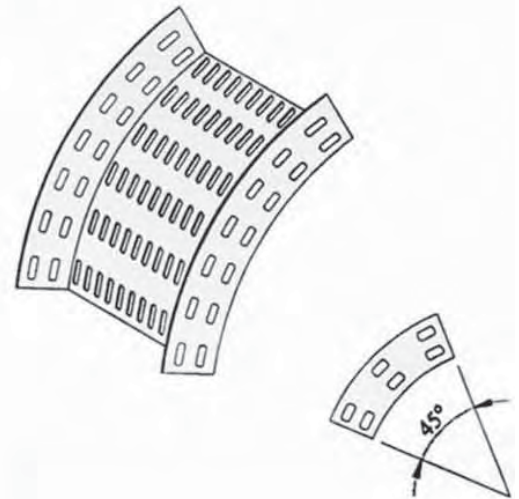


ELSA CABLE TRAY FITTINGS - FRENCH STANDARD

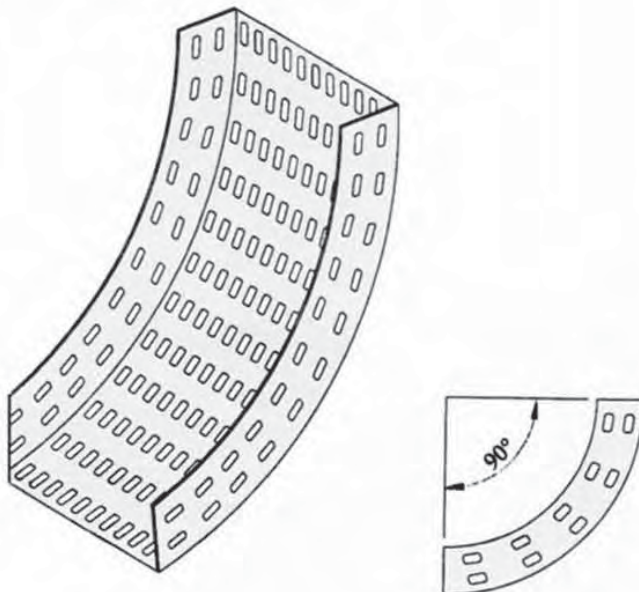
90° OUTSIDE RISER
PART DESCRIPTION: 90OR



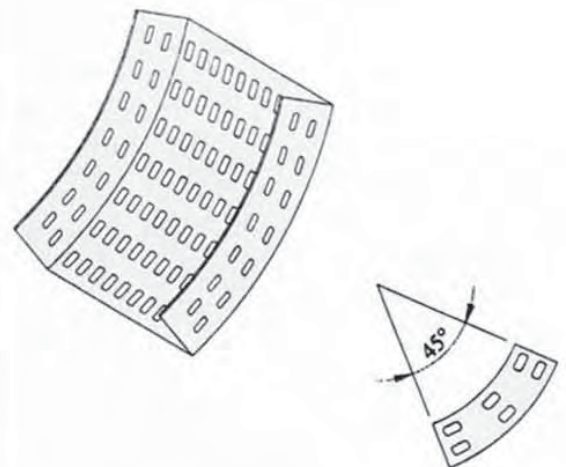
45° OUTSIDE RISER
PART DESCRIPTION: 45OR



90° INSIDE RISER
PART DESCRIPTION: 90IR



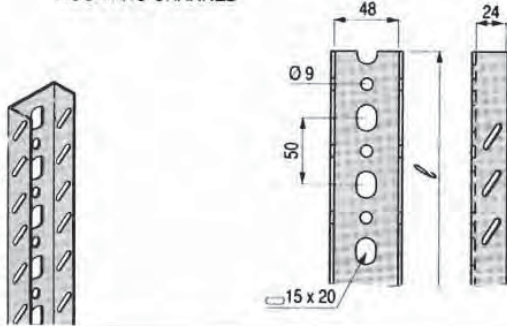
45° INSIDE RISER
PART DESCRIPTION: 45 IR



SUPPORT SYSTEM FRENCH STANDARD

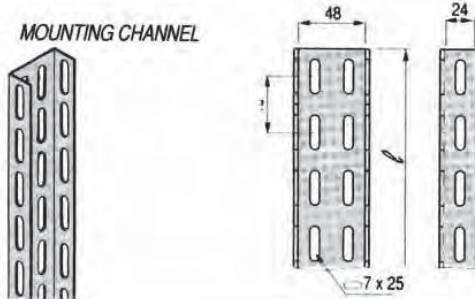


MOUNTING CHANNEL



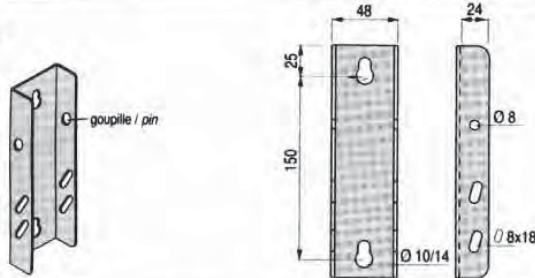
Material	Length (m)	Thickness (mm)	Code	Weight* Kg / ml
A	2	2	091	1.10
	3			
G	2	2.5	092	1.39
	3			
C	2	3	093	1.66
	3			

MOUNTING CHANNEL



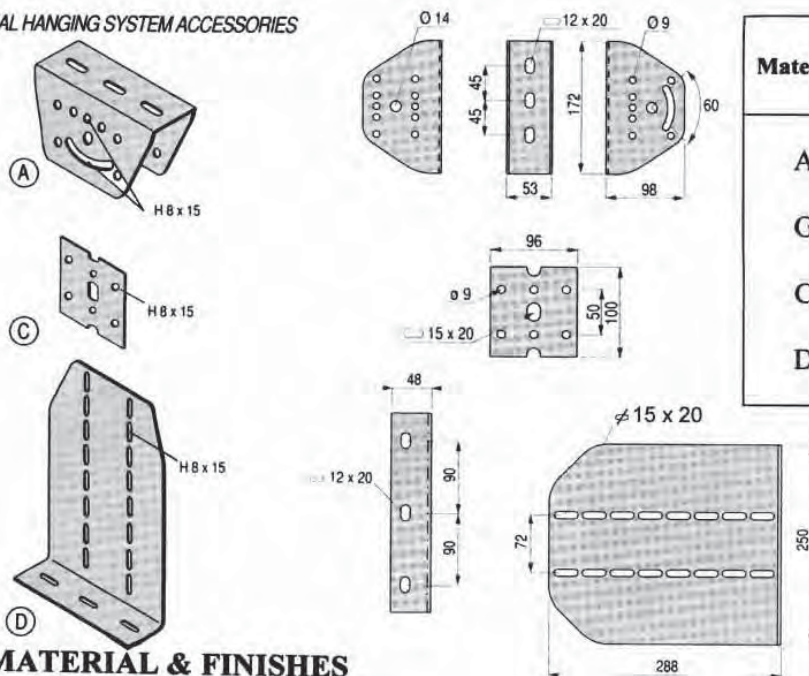
Material	Length (m)	Thickness (mm)	Code	Weight* Kg / ml
A	2	2	081	1.00
	3			
G	2	2.5	082	1.30
	3			
C	2	3	083	1.55
	3			

WALL PLATE



Material	Length (m)	Thickness (mm)	Code	Weight Kg / ml
A	2	2	071	0.27
G		2.5		
C	3	3		
D				

VERTICAL HANGING SYSTEM ACCESSORIES



Material	Type	Code	Weight Kg / P
A	A	060	0.44
G	C	070	0.13
	D	080	1.08
D			

MATERIAL & FINISHES

Channels / Brackets, Accessories – Wall Plate

A : Galvanized Steel Sheet

G : Hot Dip Galvanized After Fabrication

C : Aluminum Alloy

D : Coatings or Other materials



LOADING GRAFH FOR C/T AND S/S

PARTICULARS :

* A complete all-purpose use of perforated sections.

Performance of the Support System and the maximum allowable deflection under the load

This helpful formula will assist you in determining the moment with respect to the total load per support.

L_u = cable weight per meter x distance between supports

(N) (N/mt) (mt)

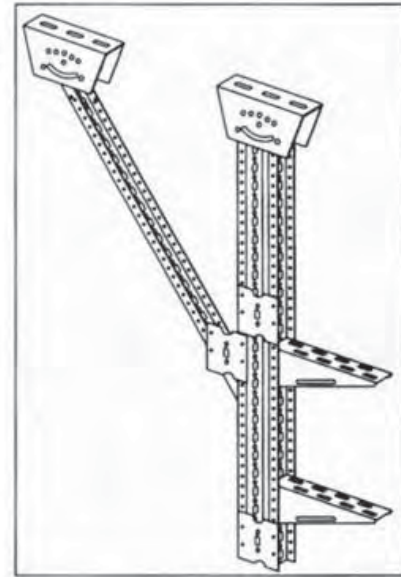
* Evaluate the Moment

$$M = \sum_{i=1}^n w_u \times L_u$$

(N.m) (m) (N)

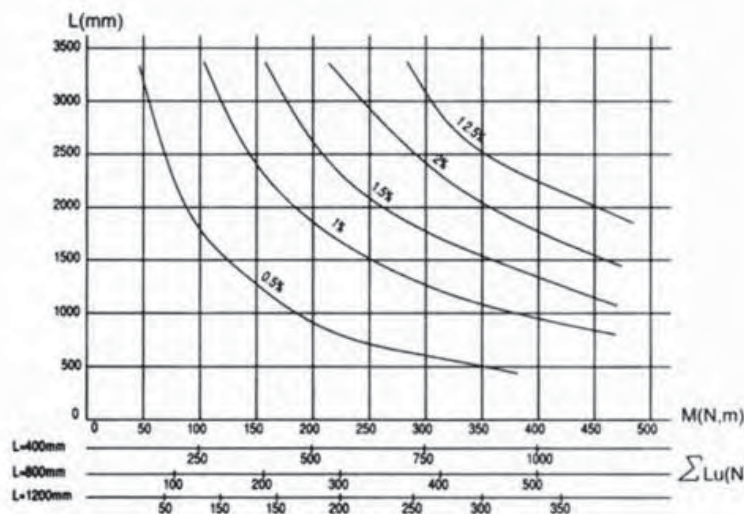
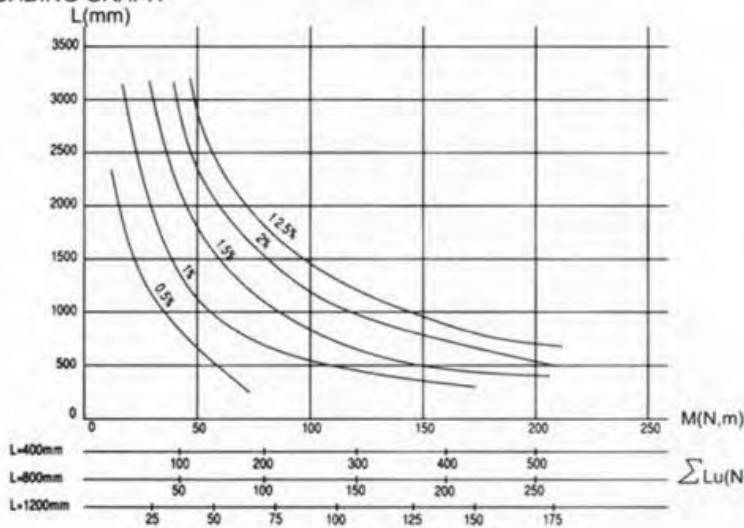
$W_u = 1/2$ width of cable trays + overlength

* See loading graphs for deflection f according to length L of the hanging system. In practice the maximum allowable limit will be 1.5% of length L to take into account the possible over loads.

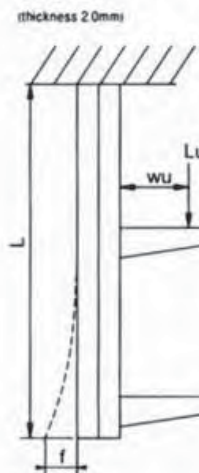


SINGLE HANGING SYSTEM
(thickness 20mm)

LOADING GRAPH



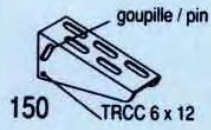
DOUBLE HANGING SYSTEM



SUPPORT SYSTEM FRENCH STANDARD



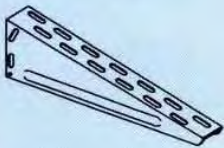
CONSOLES BRACKETS



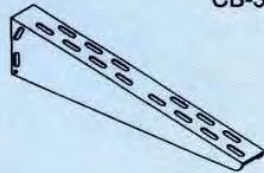
CB-75-123-150



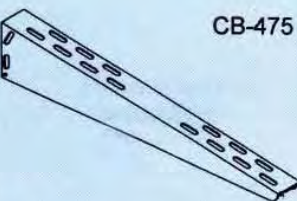
CB-225



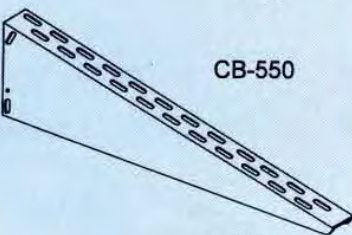
CB-350



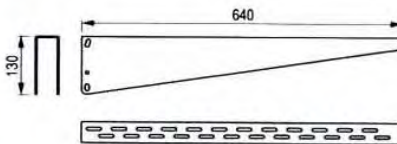
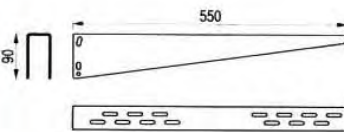
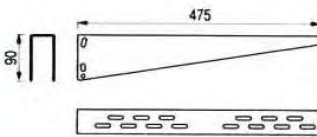
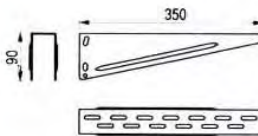
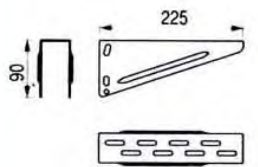
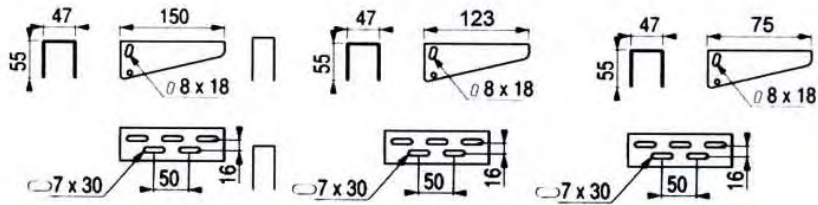
CB-475



CB-550



CB-640



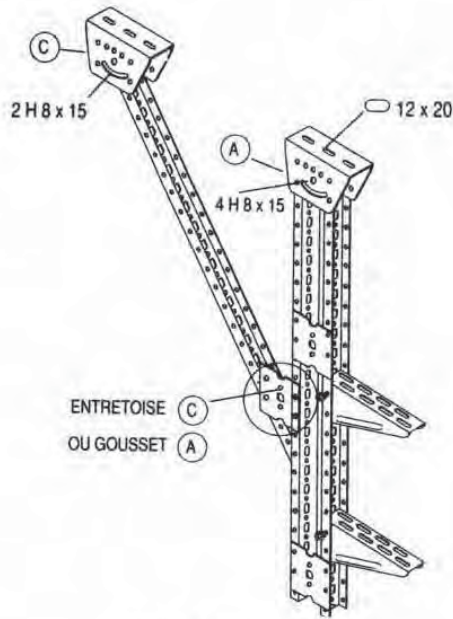
Material	Type	Code	Mass Weight Kg/ ml
A	75 x 123	CB 15	0.10
	150	CB 150	0.12
G	225	CB 225	0.25
	350	CB 350	0.46
C	475	CB 475	1.00
	550	CB 550	1.30
D	640	CB 640	1.90

MATERIAL & FINISHES CONSOLE BRACKETS

- A : Galvanized Steel Sheet
- G : Hot Dip Galvanized After Fabrication
- C : Aluminum Alloy
- D : Coatings or Other materials



SUPPORT SYSTEM FRENCH STANDARD



Double hanging system with one-way brace.



Assembly of floor to ceiling column,

