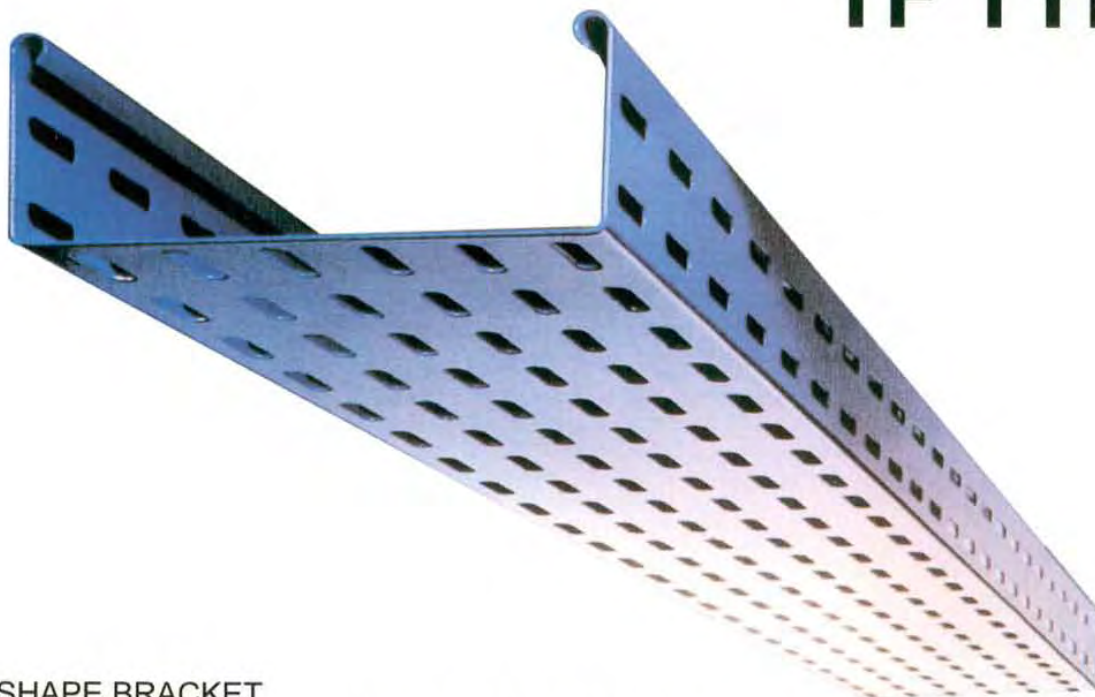


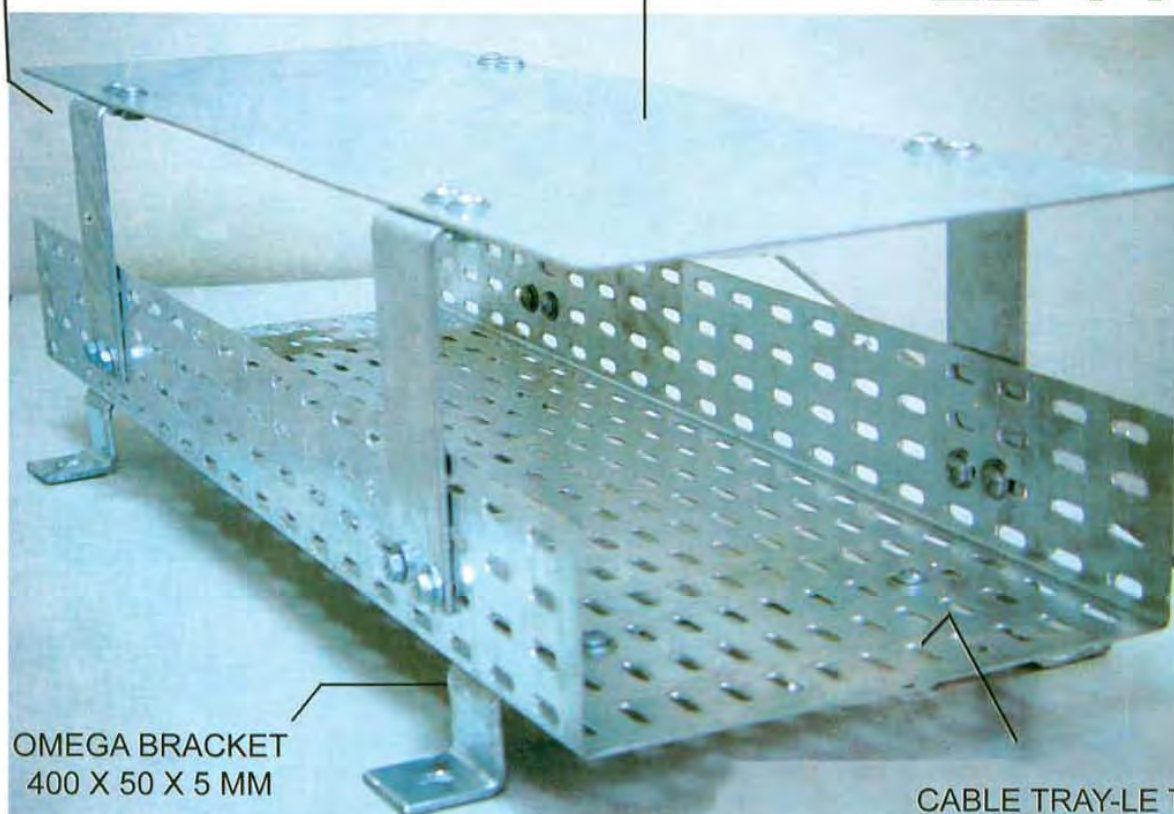
## TF TYPE



«L» SHAPE BRACKET  
178 X 50 X 5 MM

3 MM THICK STEEL COVER

## LE TYPE

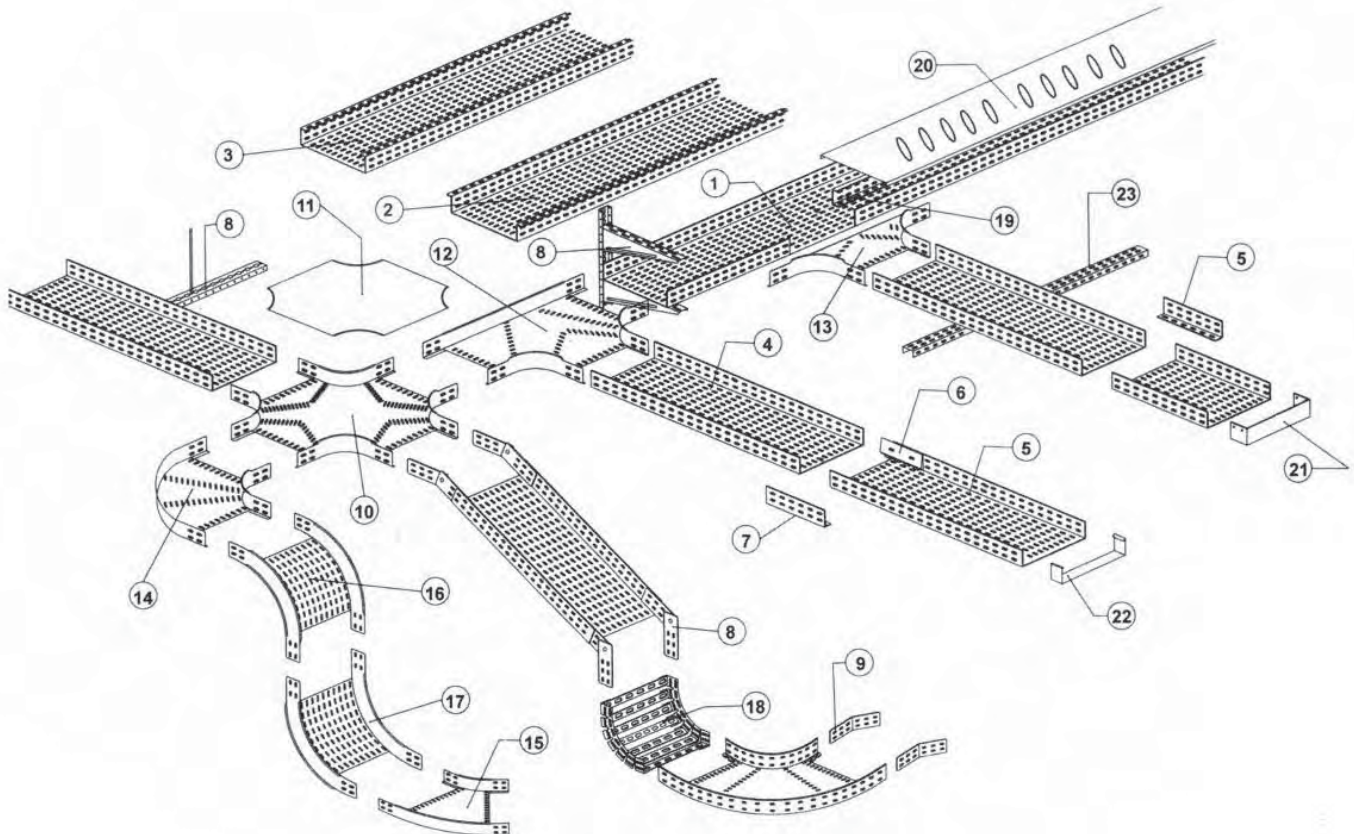


OMEGA BRACKET  
400 X 50 X 5 MM

CABLE TRAY-LE TYPE  
(300 MM WIDE X 2 MM THICK)



# PRODUCTS RANGE ELSA CABLE TRAY SYSTEM



- 1 - TYPE-TF CABLE TRAY
- 2 - TYPE-FE CABLE TRAY
- 3 - TYPE-LE CABLE TRAY
- 4 - TYPE - CE CABLE TRAY
- 5 - TYPE - ME CABLE TRAY
- 6 - CLIP-ON-COUPLER
- 7 - CORNERED SPLICE PLATE
- 8 - HINGED SPLICE PLATE
- 9 - BENDABLE SPLICE PLATE

- 10 - CROSS
- 11 - COVERS FOR CONNECTING UNITS
- 12 - Tee
- 13 - TAKE OFF
- 14 - 90° BEND
- 15 - 135° BEND
- 16 - 90° OUTSIDE BEND
- 17 - 90° INSIDE BEND

- 18 - SIMPLIFIED CONNECTING UNITS
- 19 - DIVIDER
- 20 - COVER/ WFV
- 21 - END PLATE
- 22 - END CAP
- 23 - PERFORATED PROFILES

# GENERAL INFORMATION ELSA CABLE TRAY



STANDARD LENGTH OF THE TRAY	:	2440 - 3000
FLANGE HEIGHT		
LIGHT DUTY	:	25 - 30
MEDIUM DUTY	:	50 - 75
HEAVY DUTY	:	75 - 100

## LIGHT DUTY TRAY

50 - 200 wide x 1.0 METAL THICKNESS
250 - 350 wide x 1.2 METAL THICKNESS
400-600 WIDE x 1.5 METAL THICKNESS

## MEDIUM DUTY TRAY

100 - 300 wide x 1.2 METAL THICKNESS
350-600 WIDE x 1.5 METAL THICKNESS

## HEAVY DUTY TRAY

100 - 350 wide x 1.5 METAL THICKNESS
400-1000 WIDE x 2.0 METAL THICKNESS

NOTES: 1. ALL DIMENSIONS ARE IN MILLIMETERS.



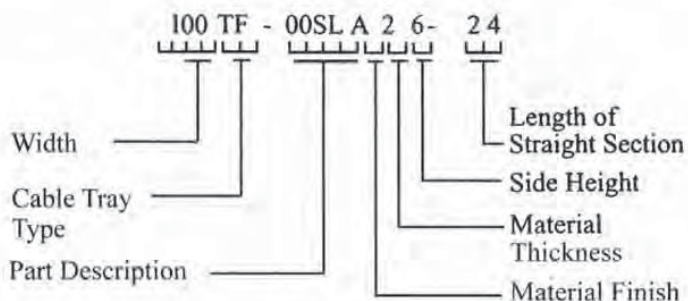
# ELSA CABLE TRAY ORDERING CHARTS

WIDTH (mm)	CABLE TRAY TYPE	PART DESCRIPTION	MATERIAL	THICKNESS	SIDE HEIGHT	LENGTH/RADIUS
50	TF	00SL - Straight Length	A	1	3	STRAIGHT SECTION
100	Inside Return Flange	90HB - 90 Deg. Horizontal Bend	Mill Galvanized Finish	1.00mm	30mm	24
150	FE	45 HB - 45 Deg. Horizontal Bend				2.44 meters
200	OUTSIDE Return Flange	90IR - 90 Deg. Inside Riser	B	2	5	30
250		45IR - 45 Deg. Inside Riser	Hot Dip Galvanized (H.D.G.A.F.)	1.20mm	50 mm	3.00 meters
300		90OR - 90 Deg. Outside Riser		3	6	FITTING RADIUS
350	LE	45OR - 45 Deg. Outside Riser		1.50mm	60mm	
400	Plain	00TH - Horizontal Unequal Tee	C	4	7	30
		00TU - Horizontal Unequal Tee	Aluminum	2.00mm	75 mm	300mm
500	CE	00CH - Horizontal Unequal Cross			10	60
	Inside Flange	00UC - Horizontal Unequal Cross			100mm	600mm
600		0RHR - Right Hand Reducer				90
700	ME	0LHR - Left Hand Reducer				900mm
800	Outside Flange	00SR - Straight Reducer				
900						
1000						
┌┌┌┌	┌┌	┌┌┌┌	┌	┌	┌	┌┌

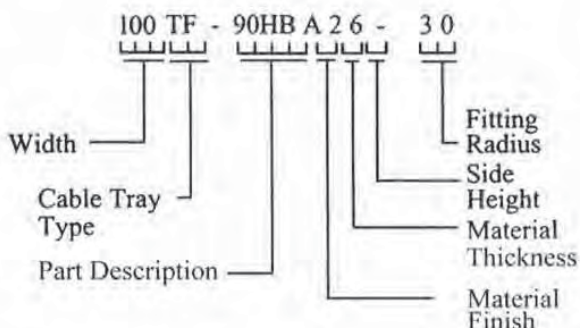
Note: All dimensions are in millimeters, unless otherwise specified.

## PART NUMBERING SYSTEM

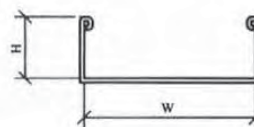
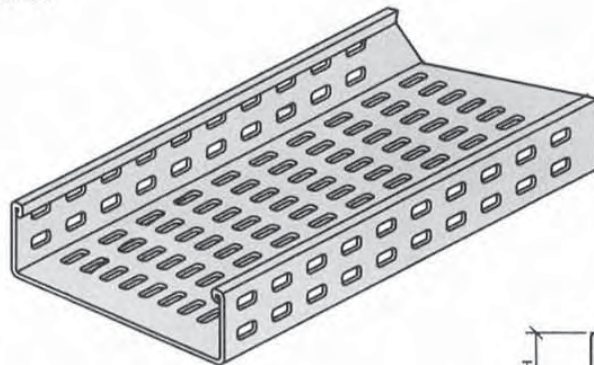
### STRAIGHT SECTION



### FITTING SECTION

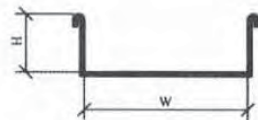
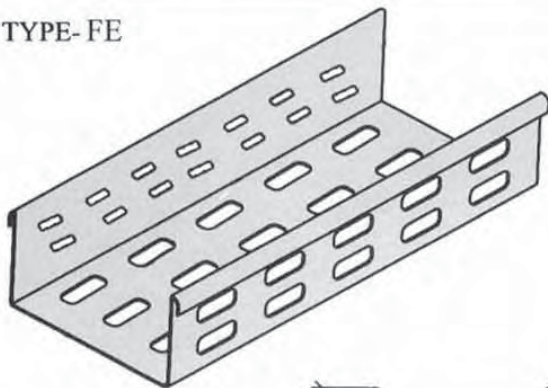


TYPE-TF



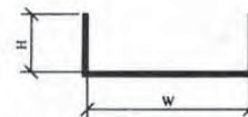
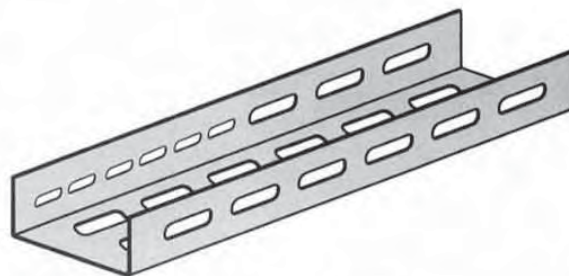
No. 1

TYPE-FE



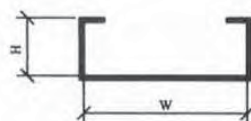
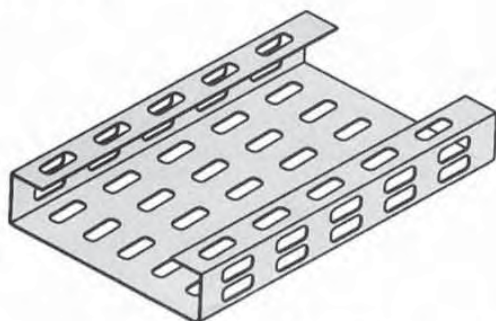
No. 2

TYPE LE



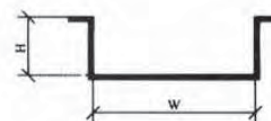
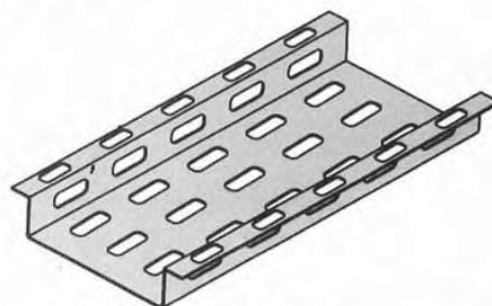
No. 3

TYPE-CE



No. 4

TYPE-ME

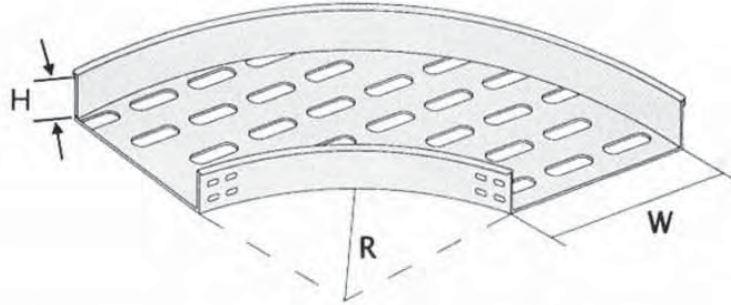


No. 5

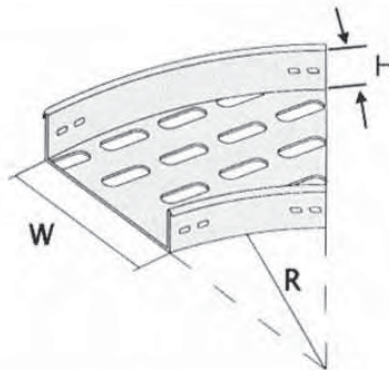


# ELSA CABLE TRAY FITTINGS

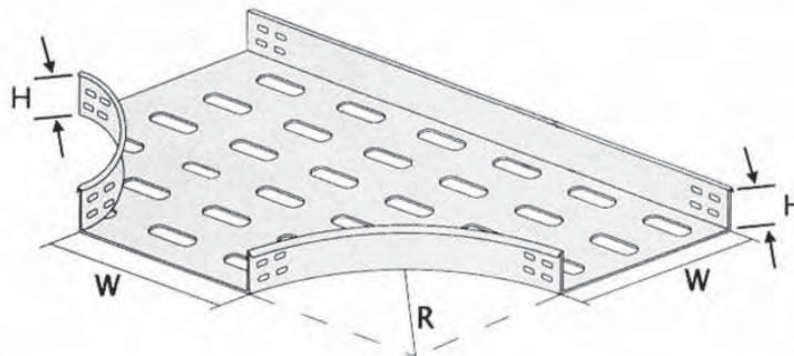
90° HORIZONTAL ELBOW  
PART DESCRIPTION: 90HB



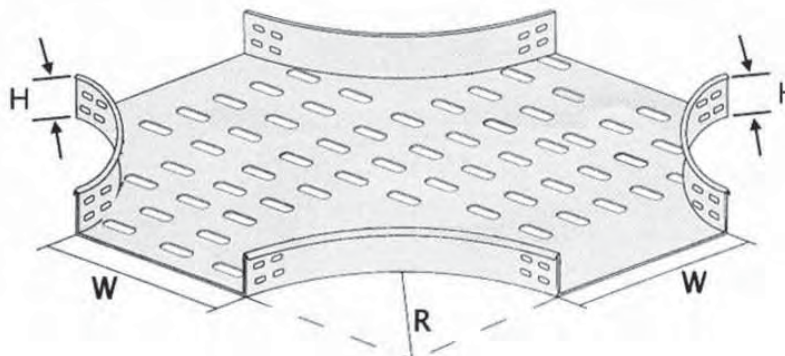
45° HORIZONTAL ELBOW  
PART DESCRIPTION: 45HB



HORIZONTAL Tee  
PART DESCRIPTION: 00TH



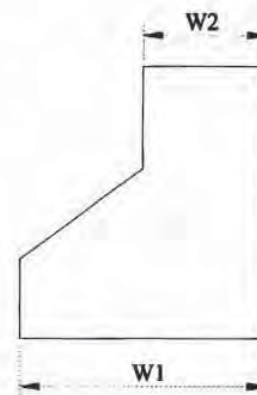
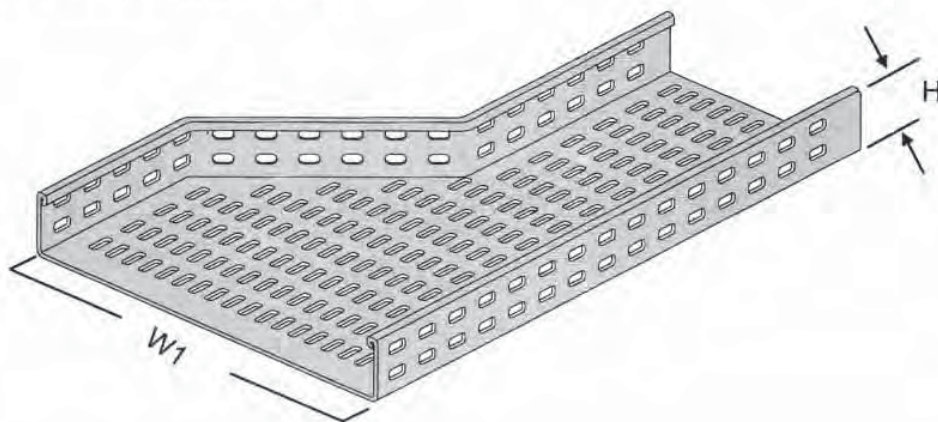
HORIZONTAL CROSS  
PART DESCRIPTION: 00CH



# ELSA CABLE TRAY FITTINGS

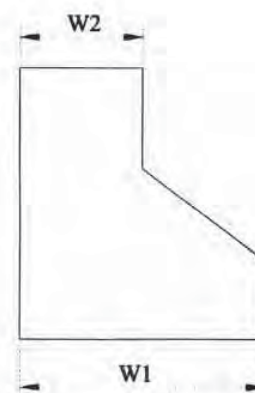
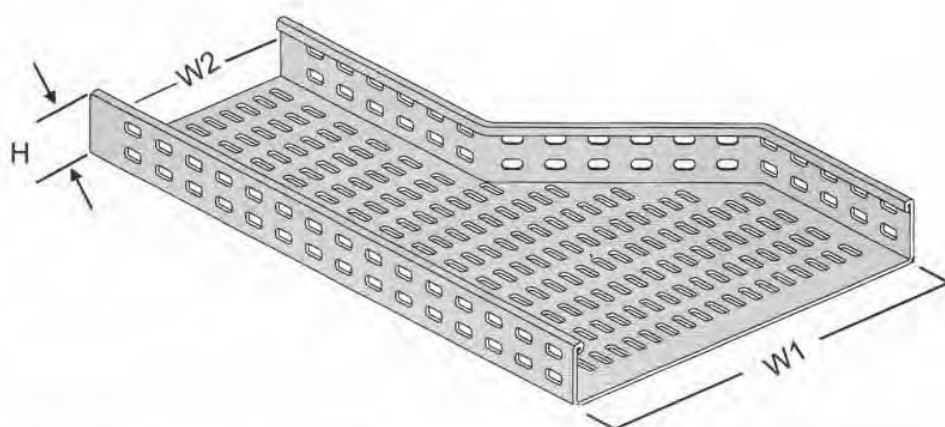


RIGHT HAND REDUCER  
PART DESCRIPTION: 0RHR



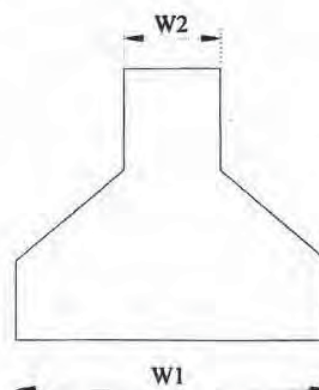
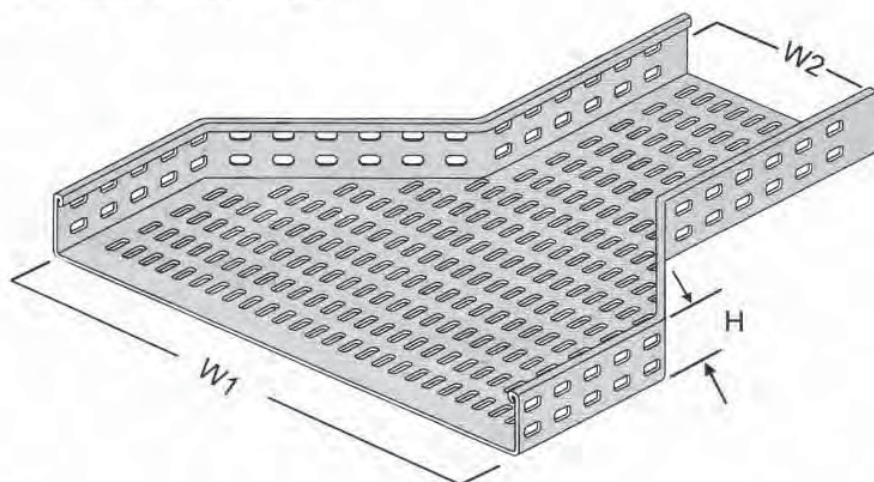
RIGHT HAND REDUCER

LEFT HAND REDUCER  
PART DESCRIPTION: 0LHR



LEFT HAND REDUCER

STRAIGHT REDUCER  
PART DESCRIPTION: 00SR

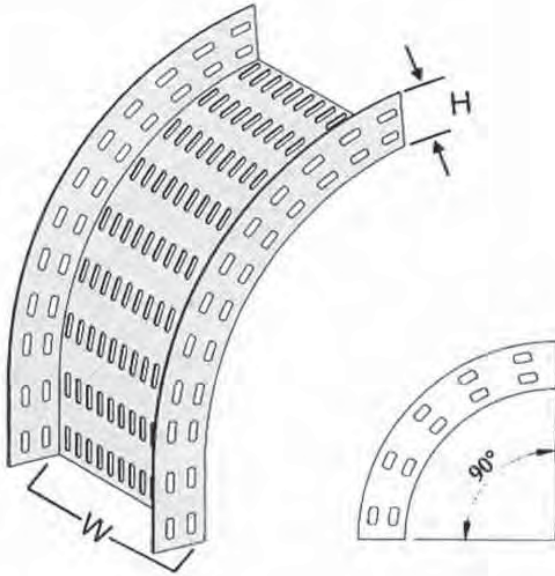


STRAIGHT REDUCER

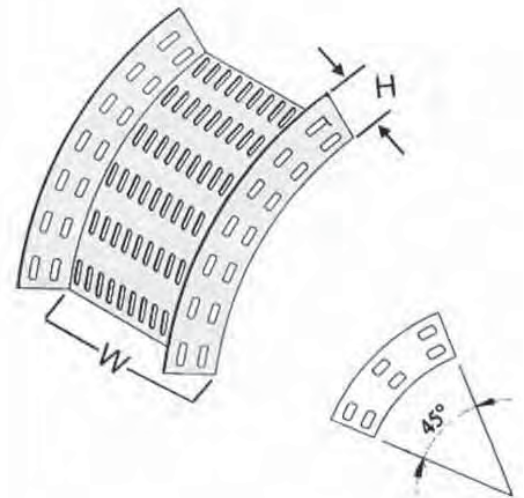


# ELSA CABLE TRAY FITTINGS

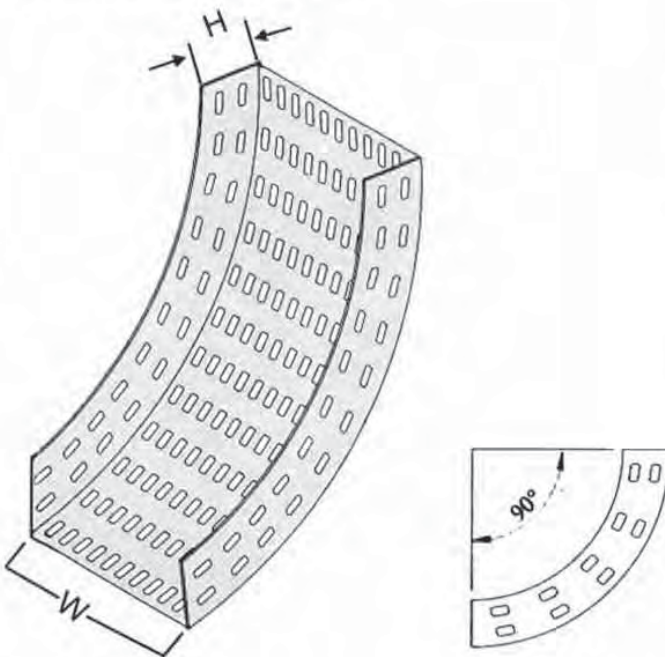
90° OUTSIDE RISER  
PART DESCRIPTION: 90OR



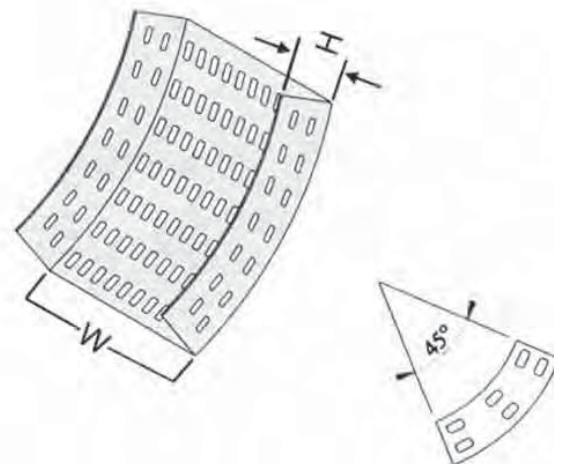
45° OUTSIDE RISER  
PART DESCRIPTION: 45OR

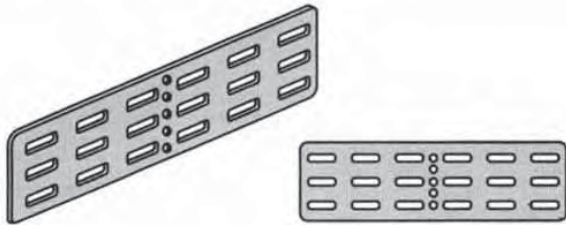


90° INSIDE RISER  
PART DESCRIPTION: 90IR

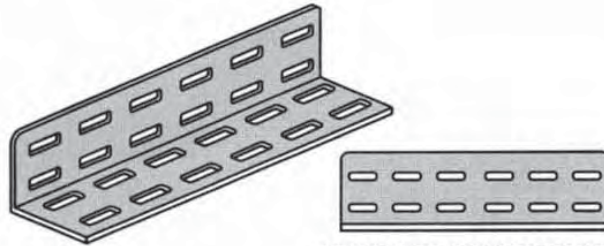


45° INSIDE RISER  
PART DESCRIPTION: 45IR

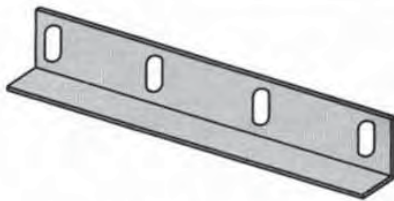




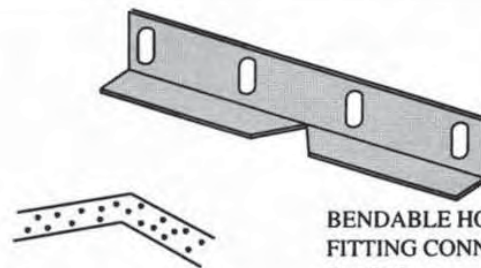
**BENDABLE SPLICE PLATE**  
Part Reference : BSP : 2



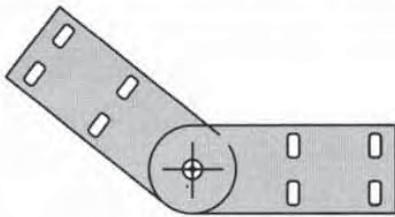
**STANDARD CONNECTORS**  
50 x 50 x 260 mm  
75 x 50 x 260 mm  
25 x 50 x 260 mm  
Part Reference : S.C.I



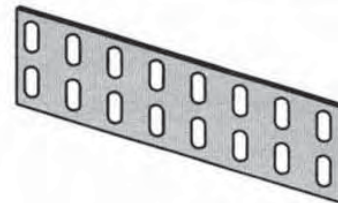
**HORIZONTAL FITTING CONNECTOR**  
Side Height: 30mm & 60mm  
Part Reference: HFC 4



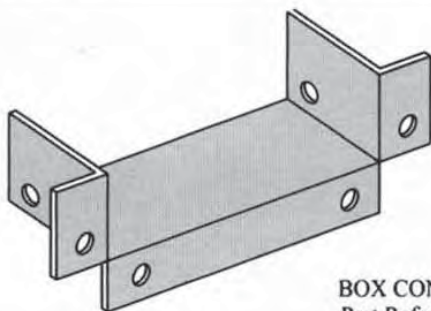
**BENDABLE HORIZONTAL FITTING CONNECTOR**  
Part Reference : BHFC 3



**VERTICAL ADJUSTABLE CONNECTOR**  
Part Reference : VAC 6



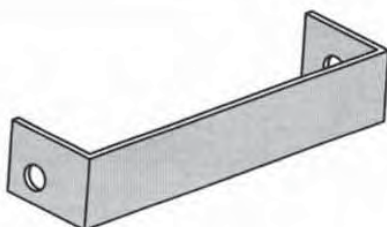
**STANDARD FLAT CONNECTOR**  
Side Height: 30 to 100 mm  
Part Reference : SFC 5



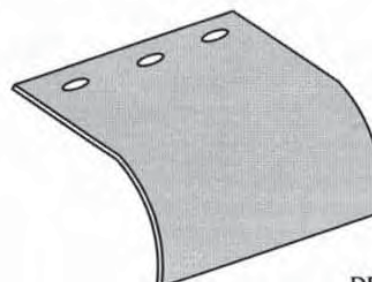
**BOX CONNECTOR**  
Part Reference : BC 8



**GROUND BONDING JUMPER**  
Part Reference : GBJ 7



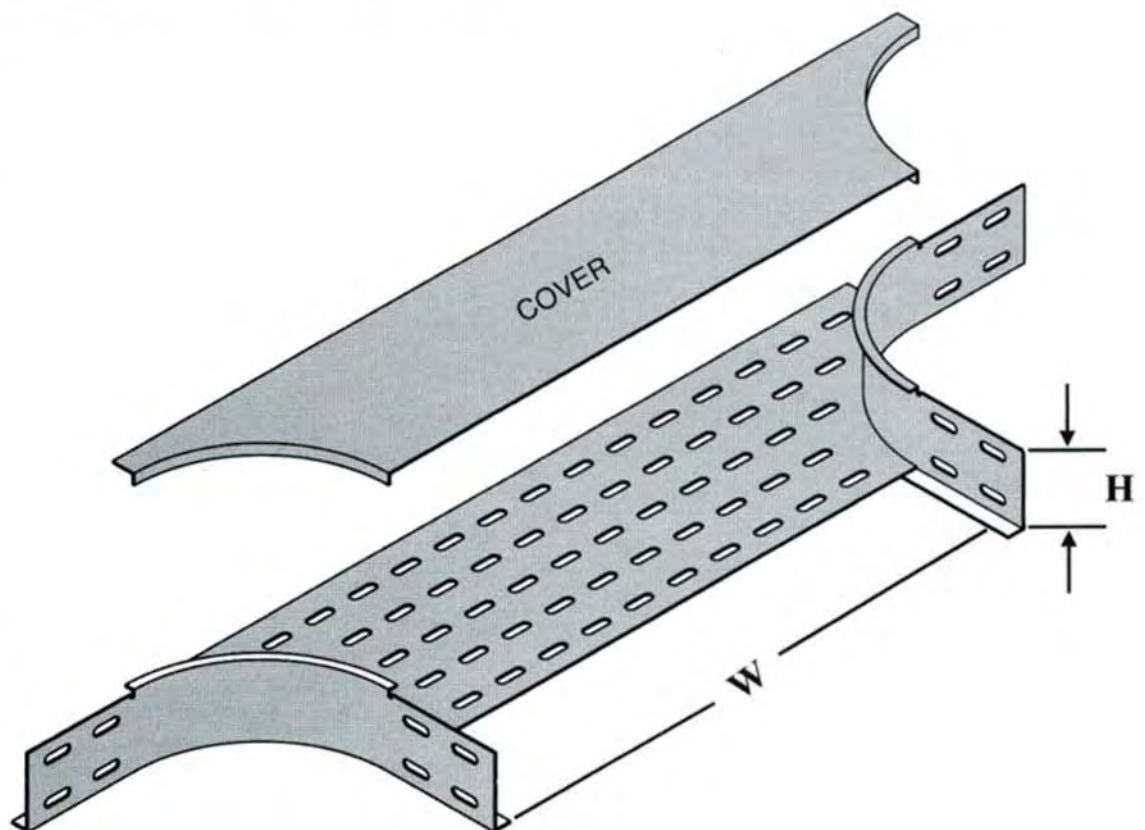
**BLIND END**  
Part Reference : BEU



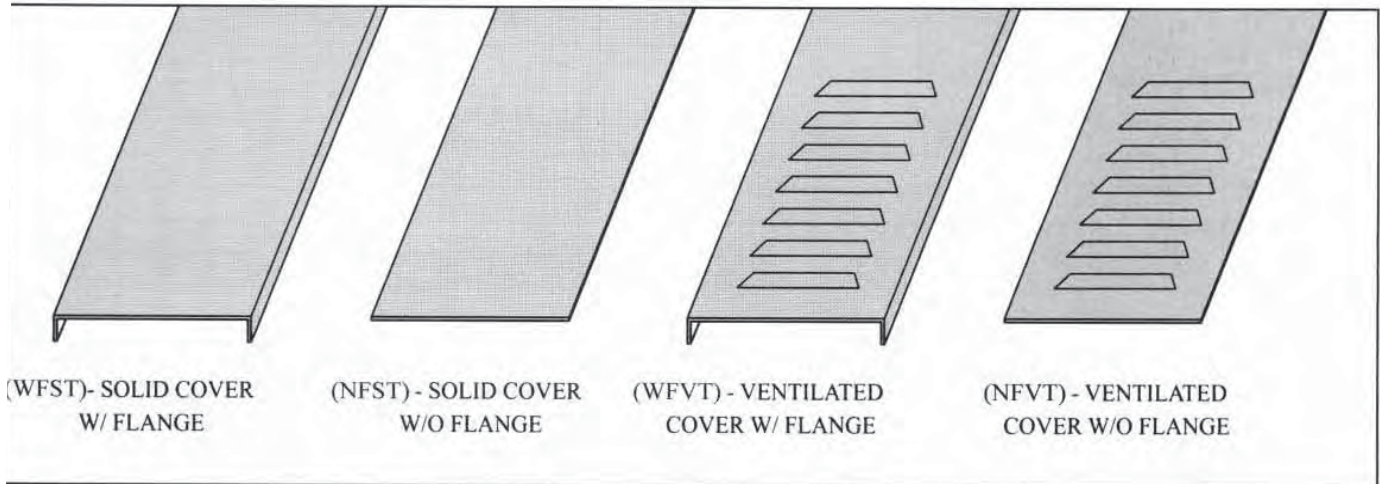
**DROP OUT**  
Part Reference : DO 9



## PART DESCRIPTION : 00T0



# ELSA CABLE TRAY COVERS

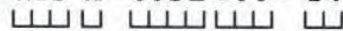


## ORDER BY CATALOG NUMBER

### STRAIGHT LENGTHS

EXAMPLE :

**WFS A - 00SL 100 - 24**

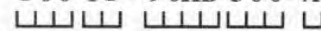


- WFS** = SOLID WITH FLANGE TYPE
- A** = MILL GALVANIZED STEEL
- SL** = STRAIGHT LENGTH
- 100** = WIDTH
- 24** = 2.44 METER LENGTH

### FITTINGS

EXAMPLE :

**100 TF - 90HB 300 - A**



- 100** = FITTING WIDTH
- TF** = PLAIN TYPE CABLE TRAY
- 90HB** = 90 DEG. HORIZONTAL ELBOW
- 300** = 300mm RADIUS
- A** = MILL GALVANIZED STEEL

COVER TYPE	MATERIAL	PART DESCRIPTION	WIDTH	LENGTH/ RADIUS	
STRAIGHT LENGTHS	A MILL GALVANIZED	00SL - Straight Length	50	STRAIGHT LENGTHS	
WFST SOLID W/ FLANGE		90HB - 90 Deg. Horizontal Bend	100		24
		45HB - 45 Deg. Horizontal Bend	150		2.40 Meters
NFST SOLID W/O FLANGE		90IR - 90 Deg. Inside Riser	200		30
		45IR - 45 Deg. Inside Riser	220	3.00 Meters	
WFVT VENT. W/ FLANGE		B Hot Dip Galvanized (H.D.G.A.F.)	90OR - 90 Deg. Outside Riser	300	FITTING RADIUS
			45OR - 45 Deg. Outside Riser	350	
NFVT VENT. W/O FLANGE			00TH - Horizontal Tee	400	300 mm.
			00 TU Horizontal Unequal Tee	500	60
L L L L			C ALUMINUM	00CH - Horizontal Cross	600
	00 UC Horizontal Unequal Cross			700	L L L
	0RHR - Right Hand Reducer			800	
	0LHR - Left Hand Reducer			900	90
	00SR - Straight Reducer			1000	900 mm.



# CABLE CARRYING CAPACITY OF ELSA CABLE TRAY

CABLE TRAY WIDTH	CABLE DATA			CABLE TRAY CAPACITY							
	x SECTION Sq. mm.	OVER ALL Dia. mm.	WEIGHT Kg. / m.	HEIGHT - 25 mm		HEIGHT - 50 mm		HEIGHT - 75 mm		HEIGHT - 100 mm	
				No. OF CABLES	WEIGHT Kg. / m.	No. OF CABLES	WEIGHT Kg. / m.	No. OF CABLES	WEIGHT Kg. / m.	No. OF CABLES	WEIGHT Kg. / m.
CABLE TRAY WIDTH - 50mm	1.5	13.40	0.240	5	1.2	11	2.64	17	4.00	23	5.52
	2.5	14.40	0.300	4	1.2	8	2.40	15	4.50	21	6.30
	4.0	16.60	0.420	3	0.72	7	1.20	12	1.26	15	6.30
	6.0	17.80	0.525	2	1.05	6	3.10	10	5.25	14	7.30
	10.0	19.70	0.745	2	1.49	4	3.00	8	6.00	11	8.00
	16.0	23.10	1.050	2	2.1	3	3.15	5	5.25	7	7.40
	25.0	27.20	1.545	-	-	1	1.54	3	4.60	4	6.18
	35.0	25.10	1.690	-	-	1	1.70	2	3.40	3	5.00
	50.0	29.20	2.275	-	-	1	2.20	2	4.50	2	4.50
	70.0	32.90	3.140	-	-	1	3.10	1	3.10	1	3.10
	95.0	37.60	4.280	-	-	1	4.30	1	4.30	1	4.30
	120.0	39.90	5.250	-	-	1	5.30	1	5.30	1	5.30
	150.0	44.50	6.485	-	-	1	6.50	1	6.50	1	6.50
	185.0	50.30	8.095	-	-	-	-	1	8.00	1	8.00
240.0	56.50	10.52	-	-	-	-	1	10.50	1	10.50	
300.0	62.60	13.11	-	-	-	-	1	13.10	1	13.10	
CABLE TRAY WIDTH - 75mm	1.5	13.40	0.240	8	1.90	18	4.30	26	6.30	35	8.40
	2.5	14.40	0.300	6	1.80	12	3.60	22	6.60	31	9.30
	4.0	16.60	0.420	4	1.70	11	4.60	18	7.50	23	9.60
	6.0	17.80	0.525	4	2.10	9	4.70	15	7.80	20	10.50
	10.0	19.70	0.745	3	2.20	6	4.40	12	8.90	18	13.40
	16.0	23.10	1.050	3	3.20	5	5.30	7	7.40	12	12.60
	25.0	27.20	1.545	-	-	3	4.60	5	7.70	7	10.80
	35.0	25.10	1.690	-	-	3	5.00	3	5.00	4	6.80
	50.0	29.20	2.275	-	-	2	4.60	3	6.60	3	6.60
	70.0	32.90	3.140	-	-	2	6.30	2	6.30	2	6.30
	95.0	37.60	4.280	-	-	1	4.30	1	4.30	2	8.60
	120.0	39.90	5.250	-	-	1	5.25	1	5.25	1	5.25
	150.0	44.50	6.485	-	-	1	6.50	1	6.50	1	6.50
	185.0	50.30	8.095	-	-	-	-	1	8.00	1	8.00
240.0	56.50	10.52	-	-	-	-	1	10.50	1	10.50	
300.0	62.60	13.11	-	-	-	-	1	13.10	1	13.10	
CABLE TRAY WIDTH - 100mm	1.5	13.40	0.240	12	2.88	25	6.00	38	9.10	50	12.00
	2.5	14.40	0.300	9	2.70	18	5.40	31	9.30	44	13.20
	4.0	16.60	0.420	6	2.52	15	5.30	25	10.50	32	13.40
	6.0	17.80	0.525	6	3.15	13	6.80	20	10.50	29	15.20
	10.0	19.70	0.745	5	3.72	8	6.00	17	12.60	24	17.80
	16.0	23.10	1.050	4	4.20	7	7.30	10	10.50	16	16.80
	25.0	27.20	1.545	-	-	4	6.18	7	10.78	10	15.40
	35.0	25.10	1.690	-	-	3	5.07	5	8.45	6	10.40
	50.0	29.20	2.275	-	-	2	4.55	4	9.10	4	9.00
	70.0	32.90	3.140	-	-	2	6.28	3	9.42	3	9.40
	95.0	37.60	4.280	-	-	2	8.56	2	8.56	3	12.80
	120.0	39.90	5.250	-	-	2	10.50	1	5.25	2	10.50
	150.0	44.50	6.485	-	-	2	12.90	1	6.48	1	6.48
	185.0	50.30	8.095	-	-	-	-	1	8.95	1	8.90
240.0	56.50	10.52	-	-	-	-	1	10.50	1	10.50	
300.0	62.60	13.110	-	-	-	-	1	13.10	1	13.10	

# CABLE CARRYING CAPACITY OF ELSA CABLE TRAY



CABLE TRAY WIDTH	CABLE DATA			CABLE TRAY CAPACITY							
	x SECTION Sq. mm.	OVER ALL Dia. mm.	WEIGHT Kg. / m.	HEIGHT - 25 mm		HEIGHT - 50 mm		HEIGHT - 75 mm		HEIGHT - 100 mm	
				No. OF CABLES	WEIGHT Kg. / m.	No. OF CABLES	WEIGHT Kg. / m.	No. OF CABLES	WEIGHT Kg. / m.	No. OF CABLES	WEIGHT Kg. / m.
CABLE TRAY WIDTH - 150mm	1.5	13.40	0.240	18	4.30	38	9.10	60	14.40	80	19.20
	2.5	14.40	0.300	14	4.2	26	7.80	46	13.80	65	19.50
	4.0	16.60	0.420	9	3.8	25	10.50	35	14.70	50	21.00
	6.0	17.80	0.525	8	4.2	23	12.00	30	15.80	45	23.60
	10.0	19.70	0.745	7	5.2	12	9.00	24	17.80	38	28.30
	16.0	23.10	1.050	6	6.3	10	10.50	15	15.80	27	28.40
	25.0	27.20	1.545	-	-	6	8.80	13	20.00	18	27.80
	35.0	25.10	1.690	-	-	5	8.50	8	13.60	12	20.30
	50.0	29.20	2.275	-	-	4	9.10	6	13.70	9	20.50
	70.0	32.90	3.140	-	-	3	9.50	6	18.90	6	18.90
	95.0	37.60	4.280	-	-	3	12.90	3	12.90	6	25.70
	120.0	39.90	5.250	-	-	2	10.50	3	15.80	4	21.00
	150.0	44.50	6.485	-	-	-	-	3	19.50	3	19.50
	185.0	50.30	8.095	-	-	-	-	3	24.30	3	24.30
	240.0	56.50	10.52	-	-	-	-	1	10.50	1	10.50
300.0	62.60	13.11	-	-	-	-	1	13.10	1	13.10	
CABLE TRAY WIDTH - 200mm	1.5	13.40	0.240	26	6.24	54	13.00	82	19.60	110	26.40
	2.5	14.40	0.300	21	6.30	36	10.80	65	19.50	90	27.00
	4.0	16.60	0.420	14	5.80	35	14.70	48	20.10	70	29.40
	6.0	17.80	0.525	13	6.80	32	16.80	43	22.50	65	34.10
	10.0	19.70	0.745	10	7.40	18	13.40	34	25.30	53	39.40
	16.0	23.10	1.050	8	8.40	15	15.70	22	23.10	38	40.00
	25.0	27.20	1.545	-	-	8	12.30	19	7.70	26	40.20
	35.0	25.10	1.690	-	-	7	11.80	11	18.60	16	27.00
	50.0	29.20	2.275	-	-	6	13.60	9	20.40	13	29.50
	70.0	32.90	3.140	-	-	5	15.70	8	25.20	8	25.20
	95.0	37.60	4.280	-	-	4	17.20	5	21.40	8	34.30
	120.0	39.90	5.250	-	-	3	15.70	4	21.00	6	31.50
	150.0	44.50	6.485	-	-	3	19.40	4	26.00	5	32.50
	185.0	50.30	8.095	-	-	-	-	4	32.40	4	32.40
	240.0	56.50	10.52	-	-	-	-	2	21.00	2	21.00
300.0	62.60	13.11	-	-	-	-	2	26.20	2	26.20	
CABLE TRAY WIDTH - 250mm	1.5	13.40	0.240	28	6.70	60	14.40	90	21.60	123	29.50
	2.5	14.40	0.300	25	7.50	45	13.50	80	24.00	103	40.00
	4.0	16.60	0.420	15	6.30	33	13.90	60	25.20	85	35.70
	6.0	17.80	0.525	11	5.70	30	15.80	55	28.90	70	36.80
	10.0	19.70	0.745	13	9.60	24	17.80	48	31.30	72	53.60
	16.0	23.10	1.050	9	9.50	19	20.00	30	31.50	40	42.00
	25.0	27.20	1.545	-	-	11	17.00	22	34.00	32	42.40
	35.0	25.10	1.690	-	-	11	18.60	20	33.80	25	42.30
	50.0	29.20	2.275	-	-	8	18.20	14	31.80	20	45.50
	70.0	32.90	3.140	-	-	7	22.00	12	37.70	14	44.00
	95.0	37.60	4.280	-	-	6	25.70	7	30.00	11	47.00
	120.0	39.90	5.250	-	-	5	1125	6	31.50	9	47.30
	150.0	44.50	6.485	-	-	-	-	5	32.50	7	45.40
	185.0	50.30	8.095	-	-	-	-	4	32.40	5	40.50
	240.0	56.50	10.52	-	-	-	-	3	31.60	4	42.00
300.0	62.60	13.110	-	-	-	-	1	26.20	2	26.20	



# CABLE CARRYING CAPACITY OF ELSA CABLE TRAY

CABLE TRAY WIDTH	CABLE DATA			CABLE TRAY CAPACITY							
	x SECTION Sq. mm.	OVER ALL Dia. mm.	WEIGHT Kg. / m.	HEIGHT - 25 mm		HEIGHT - 50 mm		HEIGHT - 75 mm		HEIGHT - 100 mm	
				No. OF CABLES	WEIGHT Kg. / m.	No. OF CABLES	WEIGHT Kg. / m.	No. OF CABLES	WEIGHT Kg. / m.	No. OF CABLES	WEIGHT Kg. / m.
CABLE TRAY WIDTH - 300mm	1.5	13.40	0.240	38	9.10	80	19.20	123	29.50	162	38.80
	2.5	14.40	0.300	28	8.40	60	18.00	105	31.50	135	40.50
	4.0	16.60	0.420	17	7.20	47	19.80	76	31.90	103	43.30
	6.0	17.80	0.525	15	7.90	43	22.50	67	35.20	90	47.30
	10.0	19.70	0.745	13	9.60	26	19.40	53	39.50	73	54.40
	16.0	23.10	1.050	11	11.60	23	24.20	35	36.80	51	53.60
	25.0	27.20	1.545	-	-	13	20.00	26	40.20	38	58.70
	35.0	25.10	1.690	-	-	12	20.30	21	35.50	30	35.50
	50.0	29.20	2.275	-	-	11	25.00	20	45.50	26	45.50
	70.0	32.90	3.140	-	-	8	25.20	15	47.10	15	47.10
	95.0	37.60	4.280	-	-	7	30.00	8	34.30	14	34.30
	120.0	39.90	5.250	-	-	4	21.00	6	31.50	12	31.50
	150.0	44.50	6.485	-	-	3	19.50	5	32.50	8	32.50
	185.0	50.30	8.095	-	-	-	-	6	48.50	6	48.50
	240.0	56.50	10.52	-	-	-	-	4	42.00	4	42.00
300.0	62.60	13.11	-	-	-	-	3	39.40	3	39.40	
CABLE TRAY WIDTH - 350mm	1.5	13.40	0.240	45	10.80	93	19.20	145	34.80	190	45.60
	2.5	14.40	0.300	34	10.20	68	18.00	122	36.60	160	48.00
	4.0	16.60	0.420	20	8.40	55	19.80	90	37.80	120	50.40
	6.0	17.80	0.525	18	9.50	50	22.50	78	41.00	104	54.60
	10.0	19.70	0.745	15	11.20	32	19.40	60	44.70	86	64.00
	16.0	23.10	1.050	13	13.70	26	24.20	42	44.10	60	63.00
	25.0	27.20	1.545	-	-	14	20.00	31	47.90	43	66.40
	35.0	25.10	1.690	-	-	12	20.30	25	42.30	34	57.50
	50.0	29.20	2.275	-	-	11	25.00	21	47.70	31	70.50
	70.0	32.90	3.140	-	-	9	25.20	16	50.30	18	56.50
	95.0	37.60	4.280	-	-	7	30.00	9	38.50	15	64.20
	120.0	39.90	5.250	-	-	4	21.00	7	36.80	13	68.30
	150.0	44.50	6.485	-	-	3	19.50	6	39.00	10	64.90
	185.0	50.30	8.095	-	-	-	-	7	56.60	7	56.60
	240.0	56.50	10.52	-	-	-	-	5	52.60	5	52.60
300.0	62.60	13.11	-	-	-	-	4	52.40	4	52.40	
CABLE TRAY WIDTH - 400mm	1.5	13.40	0.240	53	12.70	109	26.00	167	40.00	220	53.00
	2.5	14.40	0.300	41	12.30	80	24.00	142	42.60	185	55.50
	4.0	16.60	0.420	24	10.00	66	27.70	105	44.10	140	58.80
	6.0	17.80	0.525	22	11.55	60	31.50	92	48.30	122	64.00
	10.0	19.70	0.745	19	14.20	38	28.30	73	54.40	101	75.30
	16.0	23.10	1.050	16	16.80	32	33.60	50	52.50	71	74.60
	25.0	27.20	1.545	-	-	19	29.30	38	58.70	52	80.40
	35.0	25.10	1.690	-	-	16	27.00	30	50.70	42	71.00
	50.0	29.20	2.275	-	-	15	34.10	27	61.40	38	86.50
	70.0	32.90	3.140	-	-	12	37.60	20	62.80	22	69.00
	95.0	37.60	4.280	-	-	10	42.80	11	47.00	19	81.30
	120.0	39.90	5.250	-	-	6	31.50	9	47.20	16	84.00
	150.0	44.50	6.485	-	-	5	32.40	7	45.40	13	84.30
	185.0	50.30	8.095	-	-	-	-	8	64.70	8	64.70
	240.0	56.50	10.52	-	-	-	-	6	63.12	6	63.12
300.0	62.60	13.11	-	-	-	-	5	65.50	5	65.50	

# CABLE CARRYING CAPACITY OF ELSA CABLE TRAY



CABLE TRAY WIDTH	CABLE DATA			CABLE TRAY CAPACITY							
	x SECTION Sq. mm.	OVER ALL Dia. mm.	WEIGHT Kg. / m.	HEIGHT - 25 mm		HEIGHT - 50 mm		HEIGHT - 75 mm		HEIGHT - 100 mm	
				No OF CABLES	WEIGHT Kg. / m	No OF CABLES	WEIGHT Kg. / m	No OF CABLES	WEIGHT Kg. / m	No OF CABLES	WEIGHT Kg. / m
CABLE TRAY WIDTH - 450mm	1.5	13.40	0.240	58	13.90	120	28.80	180	43.20	245	50.80
	2.5	14.40	0.300	48	14.40	90	27.00	155	46.50	210	63.00
	4.0	16.60	0.420	23	9.60	77	32.30	118	50.00	160	67.20
	6.0	17.80	0.525	21	11.00	66	34.60	102	53.60	136	71.40
	10.0	19.70	0.745	20	15.00	43	32.00	83	61.80	112	83.40
	16.0	23.10	1.050	16	16.80	35	36.80	54	56.70	80	84.00
	25.0	27.20	1.545	-	-	18	27.80	42	64.90	56	86.60
	35.0	25.10	1.690	-	-	16	27.00	32	54.00	44	74.40
	50.0	29.20	2.275	-	-	14	31.90	25	56.90	38	86.50
	70.0	32.90	3.140	-	-	12	37.70	22	69.00	25	78.50
	95.0	37.60	4.280	-	-	10	42.80	11	47.00	20	85.60
	120.0	39.90	5.250	-	-	9	47.25	10	52.50	18	94.50
	150.0	44.50	6.485	-	-	5	32.50	9	58.40	16	103.80
	185.0	50.30	8.095	-	-	-	-	8	64.80	12	97.20
240.0	56.50	10.52	-	-	-	-	6	63.20	10	105.20	
300.0	62.60	13.11	-	-	-	-	5	65.50	5	65.20	
CABLE TRAY WIDTH - 500mm	1.5	13.40	0.240	67	16.00	135	32.50	206	49.50	275	66.00
	2.5	14.40	0.300	55	16.50	100	30.00	175	52.50	236	70.80
	4.0	16.60	0.420	27	11.40	88	37.00	134	56.30	180	75.60
	6.0	17.80	0.525	26	13.70	76	40.00	116	61.00	155	81.40
	10.0	19.70	0.745	25	18.70	51	38.00	95	70.70	127	94.60
	16.0	23.10	1.050	21	22.00	42	44.00	63	66.00	92	96.60
	25.0	27.20	1.545	-	-	22	34.00	48	74.00	65	100.0
	35.0	25.10	1.690	-	-	21	35.50	38	64.00	52	88.00
	50.0	29.20	2.275	-	-	18	41.00	30	68.30	44	100.00
	70.0	32.90	3.140	-	-	16	50.00	27	85.00	30	94.20
	95.0	37.60	4.280	-	-	13	55.70	14	60.00	24	103.0
	120.0	39.90	5.250	-	-	10	52.50	13	68.30	23	121.0
	150.0	44.50	6.485	-	-	7	45.30	12	77.80	20	130.0
	185.0	50.30	8.095	-	-	-	-	10	81.00	11	89.00
240.0	56.50	10.52	-	-	-	-	8	84.00	8	84.20	
300.0	62.60	13.11	-	-	-	-	7	92.00	7	92.00	
CABLE TRAY WIDTH - 550mm	1.5	13.40	0.240	72	17.30	145	34.80	224	53.80	285	68.40
	2.5	14.40	0.300	57	17.10	104	31.20	185	55.50	245	73.50
	4.0	16.60	0.420	28	11.80	90	37.80	138	58.00	185	77.70
	6.0	17.80	0.525	27	14.20	80	42.00	120	63.00	160	84.00
	10.0	19.70	0.745	26	19.40	53	39.50	97	72.30	130	96.90
	16.0	23.10	1.050	22	23.10	44	46.20	65	68.30	95	99.80
	25.0	27.20	1.545	-	-	23	35.50	50	77.30	67	103.5
	35.0	25.10	1.690	-	-	22	37.20	39	65.90	54	91.30
	50.0	29.20	2.275	-	-	19	43.30	31	70.50	45	102.3
	70.0	32.90	3.140	-	-	17	53.40	28	88.00	31	97.40
	95.0	37.60	4.280	-	-	14	60.00	15	64.20	25	107.0
	120.0	39.90	5.250	-	-	12	63.00	14	73.50	24	126.0
	150.0	44.50	6.485	-	-	7	45.30	13	84.30	21	136.1
	185.0	50.30	8.095	-	-	-	-	11	89.00	12	97.20
240.0	56.50	10.52	-	-	-	-	8	84.00	8	84.20	
300.0	62.60	13.11	-	-	-	-	7	92.00	7	92.00	



# CABLE CARRYING CAPACITY OF ELSA CABLE TRAY

CABLE TRAY WIDTH	CABLE DATA			CABLE TRAY CAPACITY							
	x SECTION Sq. MM	OVER ALL DIA MM	WEIGHT Kg. / M	HEIGHT - 25 mm		HEIGHT - 50 mm		HEIGHT - 75 mm		HEIGHT - 90 mm	
				NO OF CABLES	WEIGHT Kg / M	NO OF CABLES	WEIGHT Kg / M	NO OF CABLES	WEIGHT Kg / M	NO OF CABLES	WEIGHT Kg / M
CABLE TRAY WIDTH - 600 mm	1.5	13.40	0.240	72	17.30	155	37.20	242	58.00	320	76.80
	2.5	14.40	0.300	52	15.60	115	34.50	206	61.80	266	79.80
	4.0	16.60	0.420	30	12.60	90	37.80	148	62.20	202	84.80
	6.0	17.80	0.525	26	13.60	82	43.00	130	68.30	176	92.40
	10.0	19.70	0.745	22	16.40	50	37.30	102	76.00	142	105.80
	16.0	23.10	1.050	18	19.00	42	44.10	66	69.30	100	105.00
	25.0	27.20	1.545	-	-	22	34.00	50	77.30	72	111.30
	35.0	25.10	1.690	-	-	20	33.80	40	67.60	56	94.70
	50.0	29.20	2.275	-	-	18	41.00	36	82.00	50	113.80
	70.0	32.90	3.140	-	-	14	44.00	28	88.00	30	94.20
	95.0	37.60	4.280	-	-	12	51.40	14	60.00	25	107.00
	120.0	39.90	5.250	-	-	7	36.70	10	25.50	22	115.50
	150.0	44.50	6.485	-	-	5	32.50	9	58.40	14	90.80
	185.0	50.30	8.095	-	-	-	-	10	81.00	10	81.00
240.0	56.50	10.52	-	-	-	-	7	73.60	7	73.60	
300.0	62.60	13.11	-	-	-	-	5	65.50	5	65.50	
CABLE TRAY WIDTH -650 mm	1.5	13.40	0.240	78	18.70	167	40.00	260	62.40	340	81.60
	2.5	14.40	0.300	56	16.80	124	37.20	220	66.00	280	84.00
	4.0	16.60	0.420	32	13.40	97	40.70	155	65.10	210	88.20
	6.0	17.80	0.525	28	14.70	88	46.20	135	70.80	185	97.10
	10.0	19.70	0.745	24	17.90	54	40.30	106	79.00	150	111.80
	16.0	23.10	1.050	19	20.00	45	47.30	70	73.50	110	115.5
	25.0	27.20	1.545	-	-	23	35.50	52	80.40	75	115.80
	35.0	25.10	1.690	-	-	21	35.50	42	71.00	58	98.00
	50.0	29.20	2.275	-	-	19	43.20	37	84.10	52	118.30
	70.0	32.90	3.140	-	-	15	47.10	30	94.20	31	97.30
	95.0	37.60	4.280	-	-	13	55.60	15	64.20	26	111.30
	120.0	39.90	5.250	-	-	7	36.70	10	25.50	23	120.00
	150.0	44.50	6.485	-	-	5	32.50	9	58.40	15	97.20
	185.0	50.30	8.095	-	-	-	-	10	81.00	10	81.00
240.0	56.50	10.52	-	-	-	-	7	73.60	7	73.60	
300.0	62.60	13.11	-	-	-	-	5	65.50	5	65.50	
CABLE TRAY WIDTH - 700 mm	1.5	13.40	0.240	85	20.40	182	43.70	286	68.70	375	90.00
	2.5	14.40	0.300	62	18.60	132	39.60	240	72.00	315	94.50
	4.0	16.60	0.420	36	15.20	106	44.50	175	73.50	235	98.70
	6.0	17.80	0.525	32	16.80	96	50.40	152	80.00	206	108.20
	10.0	19.70	0.745	26	19.40	60	44.70	115	85.60	170	126.60
	16.0	23.10	1.050	24	25.20	50	52.50	80	84.00	115	120.80
	25.0	27.20	1.545	-	-	26	40.20	60	92.70	82	126.70
	35.0	25.10	1.690	-	-	22	37.20	46	77.80	64	108.20
	50.0	29.20	2.275	-	-	20	45.50	40	91.00	60	136.50
	70.0	32.90	3.140	-	-	16	50.20	30	94.20	32	100.50
	95.0	37.60	4.280	-	-	12	51.40	16	68.50	27	115.60
	120.0	39.90	5.250	-	-	7	36.80	12	63.00	25	131.30
	150.0	44.50	6.485	-	-	5	32.50	11	71.30	18	116.70
	185.0	50.30	8.095	-	-	-	-	12	107.40	12	107.40
240.0	56.50	10.52	-	-	-	-	9	94.70	9	94.70	
300.0	62.60	13.110	-	-	-	-	7	91.70	7	91.70	

# CABLE CARRYING CAPACITY OF ELSA CABLE TRAY



CABLE TRAY WIDTH	CABLE DATA			CABLE TRAY CAPACITY							
	x SECTION Sq. mm.	OVER ALL Dia. mm.	WEIGHT Kg. / m.	HEIGHT - 25 mm		HEIGHT - 50 mm		HEIGHT - 75 mm		HEIGHT - 100 mm	
				No. OF CABLES	WEIGHT Kg. / m.	No. OF CABLES	WEIGHT Kg. / m.	No. OF CABLES	WEIGHT Kg. / m.	No. OF CABLES	WEIGHT Kg. / m.
CABLE TRAY WIDTH - 750mm	1.5	13.40	0.240	95	22.80	190	45.60	300	72.00	400	96.00
	2.5	14.40	0.300	75	22.50	140	42.00	250	75.00	345	103.50
	4.0	16.60	0.420	40	16.80	130	54.60	190	79.80	260	109.20
	6.0	17.80	0.525	37	19.50	110	57.80	170	89.30	230	120.80
	10.0	19.70	0.745	30	22.40	68	50.70	135	100.50	188	140.00
	16.0	23.10	1.050	26	27.30	55	57.80	85	89.30	130	136.50
	25.0	27.20	1.545	-	-	30	46.40	65	100.50	90	139.00
	35.0	25.10	1.690	-	-	26	44.00	50	84.50	70	118.30
	50.0	29.20	2.275	-	-	24	54.60	43	97.80	62	141.00
	70.0	32.90	3.140	-	-	20	62.80	32	100.50	38	119.30
	95.0	37.60	4.280	-	-	16	68.50	18	77.00	32	137.00
	120.0	39.90	5.250	-	-	13	68.30	15	78.80	28	147.00
	150.0	44.50	6.485	-	-	10	64.90	13	84.30	23	149.20
	185.0	50.30	8.095	-	-	-	-	12	97.20	13	105.30
240.0	56.50	10.52	-	-	-	-	10	105.20	11	115.70	
300.0	62.60	13.100	-	-	-	-	9	118.00	9	118.00	
CABLE TRAY WIDTH - 800mm	1.5	13.40	0.240	100	24.00	200	48.00	330	79.20	430	103.20
	2.5	14.40	0.300	80	24.00	150	45.00	280	84.00	365	109.50
	4.0	16.60	0.420	45	19.00	125	25.50	202	84.90	270	113.40
	6.0	17.80	0.525	40	21.00	115	60.40	180	94.50	235	123.40
	10.0	19.70	0.745	35	26.00	70	52.20	140	104.30	194	144.50
	16.0	23.10	1.050	28	29.40	60	63.00	90	94.50	135	141.80
	25.0	27.20	1.545	-	-	35	54.00	70	108.20	95	146.80
	35.0	25.10	1.690	-	-	30	50.70	55	93.00	74	125.00
	50.0	29.20	2.275	-	-	26	59.20	50	113.80	66	150.20
	70.0	32.90	3.140	-	-	22	69.00	35	110.00	40	125.60
	95.0	37.60	4.280	-	-	18	77.00	20	85.60	35	150.00
	120.0	39.90	5.250	-	-	15	78.80	16	84.00	30	157.50
	150.0	44.50	6.485	-	-	9	58.40	14	90.80	24	155.60
	185.0	50.30	8.095	-	-	-	-	14	113.40	14	113.40
240.0	56.50	10.52	-	-	-	-	11	115.80	11	115.80	
300.0	62.60	13.11	-	-	-	-	9	118.00	9	118.00	
CABLE TRAY WIDTH - 850mm	1.5	13.40	0.240	110	26.40	225	54.00	340	81.60	440	105.60
	2.5	14.40	0.300	90	27.00	170	51.00	285	85.50	385	115.50
	4.0	16.60	0.420	46	19.40	145	61.00	215	90.30	285	119.70
	6.0	17.80	0.525	42	22.00	125	65.60	185	97.10	250	131.20
	10.0	19.70	0.745	40	29.80	82	61.00	150	111.80	200	149.00
	16.0	23.10	1.050	33	34.60	70	73.50	100	105.00	145	152.30
	25.0	27.20	1.545	-	-	34	52.50	76	117.40	100	154.50
	35.0	25.10	1.690	-	-	35	59.20	60	101.40	80	135.20
	50.0	29.20	2.275	-	-	30	68.30	51	116.00	70	159.30
	70.0	32.90	3.140	-	-	27	84.80	40	125.60	45	141.30
	95.0	37.60	4.280	-	-	22	94.20	22	94.20	37	158.40
	120.0	39.90	5.250	-	-	18	94.50	20	105.00	34	178.50
	150.0	44.50	6.485	-	-	11	71.40	16	103.80	28	181.60
	185.0	50.30	8.095	-	-	-	-	15	121.50	18	145.70
240.0	56.50	10.52	-	-	-	-	12	126.50	12	126.50	
300.0	62.60	13.110	-	-	-	-	10	131.00	11	144.10	



# CABLE CARRYING CAPACITY OF ELSA CABLE TRAY

CABLE TRAY WIDTH	CABLE DATA			CABLE TRAY CAPACITY							
	x SECTION Sq. mm.	OVER ALL Dia. mm.	WEIGHT Kg. / m.	HEIGHT - 25 mm		HEIGHT - 50 mm		HEIGHT - 75 mm		HEIGHT - 100 mm	
				No. OF CABLES	WEIGHT Kg. / m.	No. OF CABLES	WEIGHT Kg. / m.	No. OF CABLES	WEIGHT Kg. / m.	No. OF CABLES	WEIGHT Kg. / m.
CABLE TRAY WIDTH - 900mm	1.5	13.40	0.240	110	26.40	233	55.90	350	84.00	475	114.00
	2.5	14.40	0.300	90	27.00	170	51.00	300	90.00	410	123.00
	4.0	16.60	0.420	40	16.80	150	63.00	230	96.60	310	130.20
	6.0	17.80	0.525	38	20.00	130	68.30	195	102.30	260	136.50
	10.0	19.70	0.745	37	27.50	82	61.00	160	119.20	210	156.50
	16.0	23.10	1.050	32	33.60	70	73.50	103	108.20	150	157.50
	25.0	27.20	1.545	-	-	32	49.50	75	115.90	105	162.20
	35.0	25.10	1.690	-	-	30	50.70	64	108.20	85	143.70
	50.0	29.20	2.275	-	-	30	61.50	48	109.20	70	159.30
	70.0	32.90	3.140	-	-	22	69.00	40	125.60	48	150.70
	95.0	37.60	4.280	-	-	18	77.00	25	107.00	43	184.00
	120.0	39.90	5.250	-	-	16	84.00	23	120.80	41	215.30
	150.0	44.50	6.485	-	-	11	71.30	21	136.20	36	233.50
	185.0	50.30	8.095	-	-	-	-	18	145.70	27	218.50
240.0	56.50	10.52	-	-	-	-	14	147.30	14	147.30	
300.0	62.60	13.100	-	-	-	-	12	157.20	12	157.20	
CABLE TRAY WIDTH - 950mm	1.5	13.40	0.240	125	30.00	255	61.20	385	92.40	500	120.00
	2.5	14.40	0.300	100	30.00	190	57.00	320	96.00	442	132.60
	4.0	16.60	0.420	50	21.00	165	69.30	245	102.90	340	142.80
	6.0	17.80	0.525	49	21.00	140	73.50	215	112.90	290	152.30
	10.0	19.70	0.745	47	35.00	94	70.00	174	129.60	240	178.80
	16.0	23.10	1.050	38	40.00	75	78.80	115	120.80	170	178.50
	25.0	27.20	1.545	-	-	41	63.40	90	139.00	119	183.90
	35.0	25.10	1.690	-	-	39	65.90	64	108.20	94	158.90
	50.0	29.20	2.275	-	-	34	77.40	55	125.20	78	177.50
	70.0	32.90	3.140	-	-	29	91.00	50	157.00	54	169.60
	95.0	37.60	4.280	-	-	23	98.50	24	102.80	43	184.00
	120.0	39.90	5.250	-	-	20	105.00	23	120.80	37	194.30
	150.0	44.50	6.485	-	-	11	71.40	19	123.20	32	207.50
	185.0	50.30	8.095	-	-	-	-	17	137.60	22	178.00
240.0	56.50	10.52	-	-	-	-	13	136.80	13	136.80	
300.0	62.60	13.11	-	-	-	-	11	144.10	11	144.10	
CABLE TRAY WIDTH - 1000mm	1.5	13.40	0.240	130	31.20	226	63.80	400	96.00	510	122.40
	2.5	14.40	0.300	106	31.80	195	58.50	325	97.50	450	135.00
	4.0	16.60	0.420	50	21.00	174	73.00	260	109.20	340	142.80
	6.0	17.80	0.525	48	25.20	150	78.80	220	115.50	300	157.50
	10.0	19.70	0.745	46	34.30	100	74.50	175	130.40	245	182.50
	16.0	23.10	1.050	40	42.00	80	84.00	120	126.00	175	183.70
	25.0	27.20	1.545	-	-	40	61.80	84	129.80	120	185.40
	35.0	25.10	1.690	-	-	38	64.30	70	118.30	95	160.50
	50.0	29.20	2.275	-	-	35	79.60	55	125.20	80	182.00
	70.0	32.90	3.140	-	-	30	94.20	50	157.00	55	172.70
	95.0	37.60	4.280	-	-	25	107.00	25	107.00	44	188.30
	120.0	39.90	5.250	-	-	21	110.30	22	115.50	38	199.50
	150.0	44.50	6.485	-	-	12	77.90	20	129.70	33	214.00
	185.0	50.30	8.095	-	-	-	-	18	145.70	24	194.30
240.0	56.50	10.52	-	-	-	-	14	147.30	14	147.30	
300.0	62.60	13.110	-	-	-	-	12	157.20	12	157.20	